

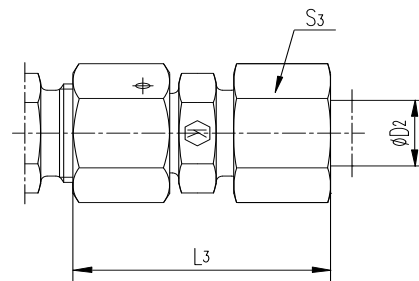
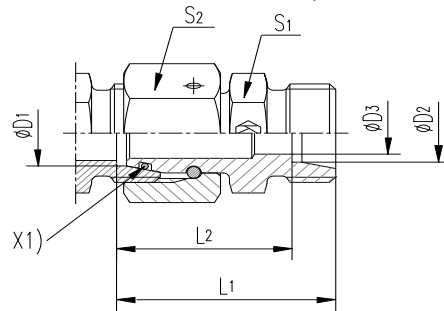
RED Tube end reducer  
24°DKO swivel / 24° cone end

RED Konus-Reduzieranschluss mit Dichtkegel - 24°-Anschluss

**PREMOEM**  
PREMIUM HYDRAULIC SOLUTIONS - GERMANY

Order code without nut and cutting ring  
XDRP....(X541...)

Order code with nut and cutting ring  
DRP....(541...)



X1) O-ring OR

Series	Tube ØD1	Tube ØD2	D3	L1	L2	L3	S1	S2	S3	ITEM CODE	ITEM NAME	PN (bar)
L	08	06	4.0	30.5	23.5	38.0	12	17	14	541200806	DRP8NB6	315
	10	06	4.0	32.0	25.0	40.0	14	19	14	541201006	DRP10NB6	315
	10	08	6.0	32.0	25.0	40.0	14	19	17	541201008	DRP10NB8	315
	12	06	4.0	32.0	25.0	40.0	17	22	14	541201206	DRP12NB6	315
	12	08	6.0	32.0	25.0	40.0	17	22	17	541201208	DRP12NB8	315
	12	10	8.0	33.0	26.0	41.0	17	22	19	541201210	DRP12NB10	315
	15	06	4.0	35.5	28.5	43.0	19	27	14	541201506	DRP15NB6	315
	15	08	6.0	35.5	28.5	43.0	19	27	17	541201508	DRP15NB8	315
	15	10	8.0	36.5	29.5	44.0	19	27	19	541201510	DRP15NB10	315
	15	12	10.0	36.5	29.5	44.0	19	27	22	541201512	DRP15NB12	315
	18	06	4.0	35.0	28.0	43.0	24	32	14	541201806	DRP18NB6	315
	18	08	6.0	35.0	28.0	43.0	24	32	17	541201808	DRP18NB8	315
	18	10	8.0	36.0	29.0	44.0	24	32	19	541201810	DRP18NB10	315
	18	12	10.0	36.0	29.0	44.0	24	32	22	541201812	DRP18NB12	315
	18	15	12.0	37.0	30.0	45.0	24	32	27	541201815	DRP18NB15	315
	22	06	4.0	39.0	32.0	47.0	27	36	14	541202206	DRP22NB6	160
	22	08	6.0	32.0	32.0	47.0	27	36	17	541202208	DRP22NB8	160
	22	10	8.0	33.0	33.0	48.0	27	36	19	541202210	DRP22NB10	160
	22	12	10.0	33.0	33.0	48.0	27	36	22	541202212	DRP22NB12	160
	22	15	12.0	34.0	34.0	49.0	27	36	27	541202215	DRP22NB15	160
	22	18	15.0	33.5	33.5	50.0	27	36	32	541202218	DRP22NB18	160
	28	06	4.0	34.0	34.0	49.0	32	41	14	541202806	DRP28NB6	160
	28	08	6.0	34.0	34.0	49.0	32	41	17	541202808	DRP28NB8	160
	28	10	8.0	35.0	35.0	50.0	32	41	19	541202810	DRP28NB10	160
	28	12	10.0	35.0	35.0	50.0	32	41	22	541202812	DRP28NB12	160
	28	15	12.0	36.0	36.0	51.0	32	41	27	541202815	DRP28NB15	160
	28	18	15.0	35.5	35.5	52.0	32	41	32	541202812	DRP28NB12	160
	28	22	19.0	37.5	37.5	54.0	32	41	36	541202822	DRP28NB22	160
	35	06	4.0	37.0	37.0	52.0	41	50	14	541203506	DRP35NB6	160
	35	08	6.0	37.0	37.0	52.0	41	50	17	541203508	DRP35NB8	160
	35	10	8.0	38.0	38.0	53.0	41	50	19	541203510	DRP35NB10	160
	35	12	10.0	38.0	38.0	53.0	41	50	22	541203512	DRP35NB12	160
	35	15	12.0	39.0	39.0	54.0	41	50	27	541203515	DRP35NB15	160
	35	18	15.0	38.5	38.5	55.0	41	50	32	541203518	DRP35NB18	160
	35	22	19.0	40.5	40.5	57.0	41	50	36	541203522	DRP35NB22	160

L= light series

PN (bar) = PN (MPa)  
10

Zinc plated=Cr(VI)-free

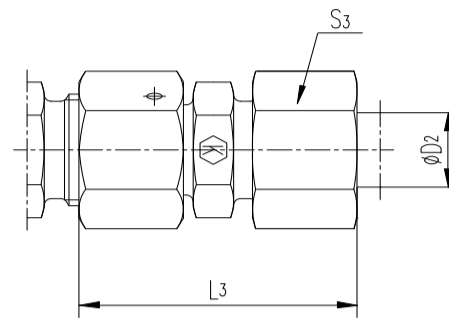
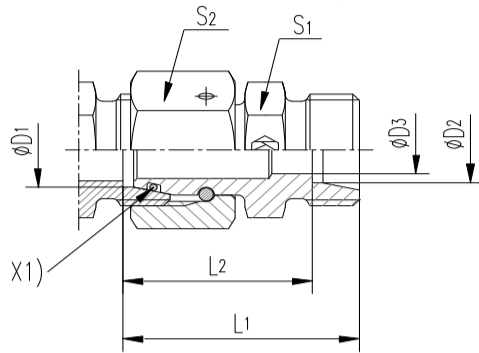
RED Tube end reducer  
24°DKO swivel / 24° cone end

RED Konus-Reduzieranschluss mit Dichtkegel 24° Anschluss

**PREMOEM**  
PREMIUM HYDRAULIC SOLUTIONS - GERMANY

Order code without nut and cutting ring  
XDRP....(X541...)

Order code with nut and cutting ring  
DRP....(541...)



X1) O-ring OR

Series	Tube ØD1	Tube ØD2	D3	L1	L2	L3	S1	S2	S3	ITEM CODE	ITEM NAME	PN (bar)
S	08	06	4.0	34.0	27.0	42	14	19	17	541300806	DRP8YB6	630
	10	06	4.0	34.5	27.5	42	17	22	17	541301006	DRP10YB6	630
	10	08	5.0	34.5	27.5	42	17	22	19	541301008	DRP10YB8	630
	12	06	4.0	36.0	29.0	44	17	24	17	541301206	DRP12YB6	630
	12	08	5.0	36.0	29.0	44	17	24	19	541301208	DRP12YB8	630
	12	10	7.0	37.0	29.5	46	19	24	22	541301210	DRP12YB10	630
	14	06	4.0	38.5	31.5	46	19	27	17	541301406	DRP14YB6	630
	14	08	5.0	38.5	31.5	46	19	27	19	541301408	DRP14YB8	630
	14	10	7.0	38.5	31.0	47	19	27	22	541301410	DRP14YB10	630
	14	12	8.0	38.5	31.0	47	22	27	24	541301412	DRP14YB12	630
	16	06	4.0	39.0	32.0	47	22	30	17	541301606	DRP16YB6	400
	16	08	5.0	39.0	32.0	47	22	30	19	541301608	DRP16YB8	400
	16	10	7.0	39.0	31.5	48	22	30	22	541301610	DRP16YB10	400
	16	12	8.0	39.0	31.5	48	22	30	24	541301612	DRP16YB12	400
	16	14	10.0	41.0	33.0	51	24	30	27	541301614	DRP16YB14	400
	20	06	4.0	43.0	36.0	51	27	36	17	541302006	DRP20YB6	400
	20	08	5.0	43.0	36.0	51	27	36	19	541302008	DRP20YB8	400
	20	10	7.0	43.0	35.5	52	27	36	22	541302010	DRP20YB10	400
	20	12	8.0	43.0	35.5	52	27	36	24	541302012	DRP20YB12	400
	20	14	10.0	45.0	37.0	55	27	36	27	541302014	DRP20YB14	400
	20	16	12.0	45.0	36.5	55	27	36	30	541302016	DRP20YB16	400
	25	06	4.0	45.5	38.5	53	32	46	17	541302506	DRP25YB6	400
	25	08	5.0	45.5	38.5	53	32	46	19	541302508	DRP25YB8	400
	25	10	7.0	45.5	38.0	54	32	46	22	541302510	DRP25YB10	400
	25	12	8.0	45.5	38.0	54	32	46	24	541302512	DRP25YB12	400
	25	14	10.0	47.5	39.5	57	32	46	27	541302514	DRP25YB14	400
	25	16	12.0	47.5	39.0	57	32	46	30	541302516	DRP25YB16	400
	25	20	16.0	49.5	39.0	61	32	46	36	541302520	DRP25YB20	400
	30	06	4.0	51.0	44.0	59	41	50	17	541303006	DRP30YB6	400
	30	08	5.0	51.0	44.0	59	41	50	19	541303008	DRP30YB8	400
30	10	7.0	51.0	43.5	60	41	50	22	541303010	DRP30YB10	400	
30	12	8.0	51.0	43.5	60	41	50	24	541303012	DRP30YB12	400	
30	14	10.0	53.0	45.0	63	41	50	27	541303014	DRP30YB14	400	
30	16	12.0	53.0	44.5	63	41	50	30	541303016	DRP30YB16	400	
30	20	16.0	55.0	44.5	66	41	50	36	541303020	DRP30YB20	400	

S= heavy series

$\frac{PN \text{ (bar)}}{10} = PN \text{ (MPa)}$

Zinc plated=Cr(VI)-free