

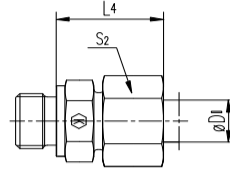
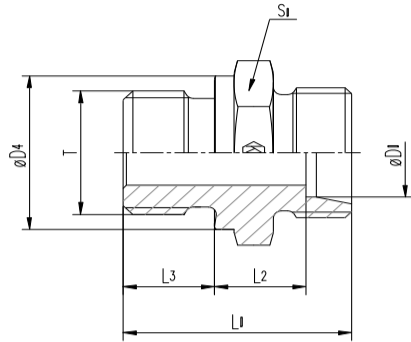
GE-R Male stud connector
Male BSPP thread-metal sealing edge (ISO 1179) 24° cone end

GE-R Gerader Einschraubstutzen - Zöll. Einschraubzapfen - 24°-Anschluss

PREMOEM
PREMIUM HYDRAULIC SOLUTIONS - GERMANY

Order code without nut and cutting ring
XRE...(X141....)

Order code with nut and cutting ring
RE...(141....)



Series	Tube ØD1	T (BSPP)	D4	L1	L2	L3	L4	S1	S2	Weight g/1 piece	ITEM CODE	ITEM NAME	PN (bar)
L NB	6	G 1/8A	14	23.5	8.50	8	23.0	14	14	13	141210602	GE 06 LR 1/8"	315
	6	G 1/4A	18	29.0	10.0	12	25.0	19	14	29	141210604	GE 06 LR 1/4"	315
	6	G 3/8A	22	30.5	11.5	12	26.0	22	14	45	141210606	GE 06 LR 3/8"	315
	6	G 1/2A	26	33.0	12.0	14	27.0	27	14	61	141210608	GE 06 LR 1/2"	315
	8	G 1/4A	18	29.0	10.0	12	25.0	19	17	27	141210804	GE 08 LR 1/4"	315
	8	G 1/8A	14	24.5	8.50	8	23.0	14	17	14	141210802	GE 08 LR 1/8"	315
	8	G 3/8A	22	30.5	11.5	12	26.0	22	17	44	141210806	GE 08 LR 3/8"	315
	8	G 1/2A	26	33.0	12.0	14	27.0	27	17	72	141210808	GE 08 LR 1/2"	315
	10	G 1/4A	18	30.0	11.0	12	26.0	19	19	28	141211004	GE 10 LR 1/4"	315
	10	G 1/8A	14	25.5	10.5	8	25.0	17	19	21	141211002	GE 10 LR 1/8"	315
	10	G 3/8A	22	31.5	12.5	12	27.0	22	19	45	141211006	GE 10 LR 3/8"	315
	10	G 1/2A	26	34.0	13.0	14	28.0	27	19	74	141211008	GE 10 LR 1/2"	315
	12	G 3/8A	22	31.5	12.5	12	27.0	22	22	42	141211206	GE 12 LR 3/8"	315
	12	G 1/8A	14	26.5	11.5	8	26.0	19	22	62	141211202	GE 12 LR 1/8"	315
	12	G 1/4A	18	31.0	12.0	12	27.0	19	22	32	141211204	GE 12 LR 1/4"	315
	12	G 1/2A	26	34.0	13.0	14	28.0	27	22	67	141211208	GE 12 LR 1/2"	315
	12	G 3/4A	32	37.0	14.0	16	29.0	32	22	118	141211212	GE 12 LR 3/8"	315
	15	G 1/2A	26	35.0	14.0	14	29.0	27	27	71	141211508	GE 15 LR 1/2"	250
	15	G 3/8A	22	32.5	13.5	12	29.0	24	27	54	141211506	GE 15 LR 3/8"	250
	15	G 3/4A	32	38.0	15.0	16	30.0	32	27	121	141211512	GE 15 LR 3/4"	250
	18	G 1/2A	26	36.0	14.5	14	31.0	27	32	70	141211808	GE 18 LR 1/2"	250
	18	G 3/8A	22	33.5	14.0	12	29.5	27	32	67	141211806	GE 18 LR 3/8"	250
	18	G 3/4A	32	38.0	14.5	16	30.0	32	32	115	141211812	GE 18 LR 3/4"	250
	22	G 3/4A	32	40.0	16.5	16	33.0	32	36	103	141212212	GE 22 LR 3/4"	160
	22	G 1/2A	26	38.0	16.5	14	33.0	32	36	94	141212208	GE 22 LR 1/2"	160
	22	G 1A	39	43.0	17.5	18	33.5	41	36	196	141212216	GE 22 LR 1"	160
	28	G 1A	39	43.0	17.5	18	34.0	41	41	163	141212816	GE 28 LR 1"	160
	28	G 1/2A	26	39.0	17.5	14	34.0	41	41	141	141212808	GE 28 LR 1/2"	160
	28	G 3/4A	32	41.0	17.5	16	34.0	41	41	152	141212812	GE 28 LR 3/4"	160
	28	G 11/4A	50	46.0	18.3	20	35.0	50	41	314	141212820	GE 28 LR11/4"	160
	35	G 11/4A	49	48.0	17.5	20	39.0	50	50	273	141213520	GE 35 LR11/4"	160
	35	G 1/2A	26	42.0	17.5	14	39.0	46	50	194	141213508	GE 35 LR11/2"	160
35	G 3/4A	32	44.0	17.5	16	39.0	46	50	202	141213512	GE 35 LR 3/4"	160	
35	G 1A	39	46.0	17.5	18	39.0	46	50	231	141213516	GE 35 LR 1"	160	
35	G 11/2A	55	52.0	19.5	22	41.0	55	50	424	141213524	GE 35 LR11/2"	160	
42	G 11/2A	55	52.0	19.0	22	42.0	55	60	351	141214224	GE 42 LR11/2"	160	
42	G 1A	39	48.0	19.0	18	42.0	55	60	240	141214216	GE 42 LR 1"	160	
42	G 11/4A	49	50.0	19.0	20	42.0	55	60	383	141214220	GE 42 LR11/4"	160	

L=light series

$\frac{PN \text{ (bar)}}{10} = PN \text{ (MPa)}$

Zinc plated=Cr(VI)-free

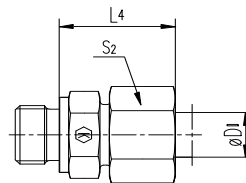
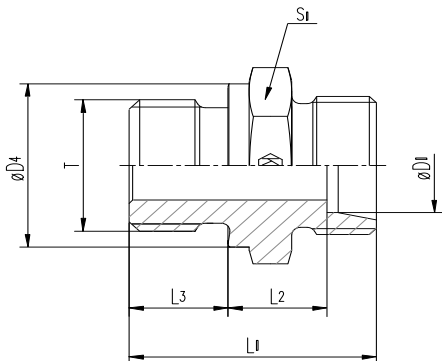
GE-R Male stud connector
Male BSPP thread-metal sealing edge (ISO 1179) 24° cone end

GE-R Gerader Einschraubstutzen - Zöll. Einschraubzapfen - 24°-Anschluss

PREMOEM
PREMIUM HYDRAULIC SOLUTIONS - GERMANY

Order code without nut and cutting ring
XRE...(X141....)

Order code with nut and cutting ring
RE...(141....)



Series	Tube ØD1	T (BSPP)	D4	L1	L2	L3	L4	S1	S2	Weight g/1 piece	ITEM CODE	ITEM NAME	PN (bar)
S YB	6	G 1/8A	14	27.5	12.5	8	27	14	17	19	141310602	GE 06 SR 1/8"	630
	6	G 1/4A	18	32.0	13.0	12	28	19	17	35	141310604	GE 06 SR 1/4"	630
	6	G 3/8A	22	34.5	15.5	12	30	22	17	52	141310606	GE 06 SR 3/8"	630
	6	G 1/2A	26	39.0	18.0	14	33	27	17	98	141310608	GE 06 SR 1/2"	630
	8	G 1/4A	18	34.0	15.0	12	30	19	19	41	141310804	GE 08 SR 1/4"	630
	8	G 3/8A	22	34.5	15.5	12	30	22	19	57	141310806	GE 08 SR 3/8"	630
	8	G 1/2A	26	39.0	18.0	14	33	27	19	87	141310808	GE 08 SR 1/2"	630
	10	G 1/4A	18	34.0	14.5	12	31	19	22	40	141311004	GE 10 SR 1/4"	630
	10	G 3/8A	22	34.5	15.0	12	31	22	22	57	141311006	GE 10 SR 3/8"	630
	10	G 1/2A	26	39.0	17.5	14	34	27	22	99	141311008	GE 10 SR 1/2"	630
	12	G 1/4A	18	36.0	16.5	12	33	22	24	55	141311204	GE 12 SR 1/4"	630
	12	G 3/8A	22	36.5	17.0	12	33	22	24	62	141311206	GE 12 SR 3/8"	630
	12	G 1/2A	26	39.0	17.5	14	34	27	24	97	141311208	GE 12 SR 1/2"	630
	14	G 3/8A	22	38.5	18.5	12	36	24	27	73	141311406	GE 14 SR 3/8"	630
	14	G 1/2A	26	41.0	19.0	14	37	27	27	96	141311408	GE 14 SR 1/2"	630
	16	G 3/8A	22	38.5	18.0	12	36	27	30	85	141311606	GE 16 SR 3/8"	400
	16	G 1/2A	26	41.0	18.5	14	37	27	30	91	141311608	GE 16 SR 1/2"	400
	16	G 3/4A	32	45.0	20.5	16	39	32	30	156	141311612	GE 16 SR 3/4"	400
	20	G 1/2A	26	45.0	20.5	14	42	32	36	135	141312008	GE 20 SR 1/2"	400
	20	G 3/4A	32	47.0	20.5	16	42	32	36	151	141312012	GE 20 SR 3/4"	400
	20	G 1A	39	51.0	22.5	18	44	41	36	254	141312016	GE 20 SR 1"	400
	20	G 1 1/4A	49	53.0	22.5	20	44	50	36	450	141312020	GE 20 SR 1 1/4"	400
	25	G 3/4A	32	51.0	23.0	16	47	41	46	240	141312512	GE 25 SR 3/4"	400
	25	G 1A	39	53.0	23.0	18	47	41	46	265	141312516	GE 25 SR 1"	400
25	G 1 1/4A	49	55.0	23.0	20	47	50	46	439	141312520	GE 25 SR 1 1/4"	400	
30	G 1A	39	55.0	23.5	18	50	46	50	328	141313016	GE 30 SR 1"	250	
30	G 1 1/4A	49	57.0	23.5	20	50	50	50	421	141313020	GE 30 SR 1 1/4"	250	
38	G 1 1/4A	49	62.0	26.0	20	57	55	60	560	141313820	GE 38 SR 1 1/2"	250	
38	G 1 1/2A	55	64.0	26.0	22	57	55	60	556	141313824	GE 38 SR 1 1/4"	250	

S= heavy series

$\frac{\text{PN (bar)}}{10} = \text{PN (MPa)}$

Zinc plated=Cr(VI)-free