

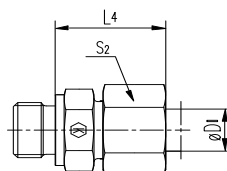
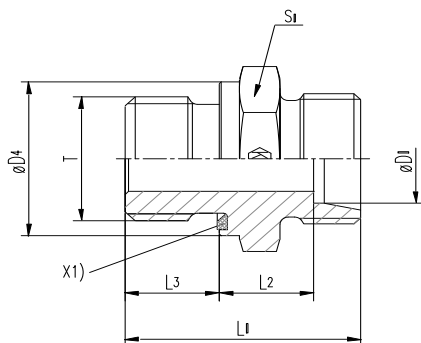
GE-R-ED Male stud connector  
Male BSPP thread-ED-seal (ISO 1179) 24° cone end

GE-R-ED Gerader Einschraubstutzen - Zöll. Einschraubzapfen -ED- 24°-Anschluss

**PREMOEM**  
PREMIUM HYDRAULIC SOLUTIONS - GERMANY

Order code without nut and cutting ring  
**XRE...(X501....)**

Order code with nut and cutting ring  
**RE...(501....)**



X1) Elastic-sealing ED

Series	Tube ØD1	T (BSPP)	D4	L1	L2	L3	L4	S1	S2	Weight g/1 piece	ITEM CODE	ITEM NAME	PN (bar)
LL DB	4	G 1/8A	13.9	21.5	9.5	8.0	19	14	10	15	501110402	RE4DBR02PLX	100
	6	G 1/8A	13.9	21.5	8.0	8.0	20	14	12	17	501110602	RE6DBR02PLX	100
L NB	6	G 1/8A	13.9	23.5	8.5	8.0	23	14	14	12	501210602	RE6NBR02PLX	315
	6	G 1/4A	18.9	29.0	10.0	12.0	25	19	14	30	501210604	RE6NBR04PLX	315
	6	G 3/8A	21.9	30.5	11.5	12.0	26	22	14	40	501210606	RE6NBR06PLX	315
	6	G 1/2A	26.9	33.0	12.0	14.0	27	27	14	61	501210608	RE6NBR08PLX	315
	8	G 1/4A	18.9	29.0	10.0	12.0	25	19	17	28	501210804	RE8NBR04PLX	315
	8	G 1/8A	13.9	23.5	8.5	8.0	24	14	17	14	501210802	RE8NBR02PLX	315
	8	G 3/8A	21.9	30.5	11.5	12.0	26	22	17	43	501210806	RE8NBR06PLX	315
	8	G 1/2A	26.9	33.0	12.0	14.0	27	27	17	72	501210808	RE8NBR08PLX	315
	10	G 1/4A	18.9	30.0	11.0	12.0	26	19	19	28	501211004	RE10NBR04PLX	315
	10	G 1/8A	13.9	25.5	10.5	8.0	25	17	19	19	501211002	RE10NBR02PLX	315
	10	G 3/8A	21.9	31.5	12.5	12.0	27	22	19	40	501211006	RE10NBR06PLX	315
	10	G 1/2A	26.9	34.0	13.0	14.0	28	27	19	71	501211008	RE10NBR08PLX	315
	12	G 3/8A	21.9	31.5	12.5	12.0	27	22	22	41	501211206	RE12NBR06PLX	315
	12	G 1/8A	13.9	26.5	11.5	8.0	26	19	22	26	501211202	RE12NBR02PLX	315
	12	G 1/4A	18.9	31.0	12.0	12.0	27	19	22	30	501211204	RE12NBR04PLX	315
	12	G 1/2A	26.9	34.0	13.0	14.0	28	27	22	66	501211208	RE12NBR08PLX	315
	12	G 3/4A	31.9	37.0	14.0	16.0	29	32	22	115	501211212	RE12NBR12PLX	315
	15	G 1/2A	26.9	35.0	14.0	14.0	29	27	27	72	501211508	RE15NBR08PLX	315
	15	G 3/8A	21.9	32.5	13.5	12.0	29	24	27	54	501211506	RE15NBR06PLX	315
	15	G 3/4A	31.9	38.0	15.0	16.0	30	32	27	105	501211512	RE15NBR12PLX	315
	18	G 1/2A	26.9	36.0	14.5	14.0	31	27	32	71	501211808	RE18NBR08PLX	315
	18	G 3/8A	21.9	33.5	14.0	12.0	30	27	32	67	501211806	RE18NBR06 PLX	315
	18	G 3/4A	31.9	38.0	14.5	16.0	31	32	32	114	501211812	RE18NBR12PLX	315
	22	G 3/4A	31.9	40.0	16.5	16.0	33	32	36	102	501212212	RE22NBR12PLX	160
	22	G 1/2A	26.9	38.0	16.5	14.0	33	32	36	96	501212208	RE22NBR08PLX	160
	22	G 1A	39.9	43.0	17.5	18.0	34	41	36	191	501212216	RE22NBR16PLX	160
	28	G 1A	39.9	43.0	17.5	18.0	34	41	41	166	501212816	RE28NBR16PLX	160
	28	G 3/4A	31.9	41.0	17.5	16.0	34	41	41	218	501212812	RE28NBR12PLX	160
	28	G 1 1/4A	49.9	46.0	18.5	20.0	35	50	41	316	501212820	RE28NBR20PLX	160
	35	G 1 1/4A	49.9	48.0	17.5	20.0	39	50	50	272	501213520	RE35NBR20PLX	160
	35	G 1A	39.9	46.0	17.5	18.0	39	46	50	226	501213516	RE35NBR16PLX	160
	35	G 1 1/2A	54.9	52.0	19.5	22.0	41	55	50	417	501213524	RE35NBR24PLX	160
42	G 1 1/2A	54.9	52.0	19.0	22.0	42	55	60	346	501214224	RE42NBR24PLX	160	
42	G 1A	39.9	48.0	19.0	18.0	42	55	60	324	501214216	RE42NBR16PLX	160	
42	G 1 1/4A	49.9	50.0	19.0	20.0	42	55	60	346	501214220	RE42NBR20PLX	160	

LL= very light series

L= light series

PN (bar) = PN (MPa)  
10

Zinc plated=Cr(VI)-free

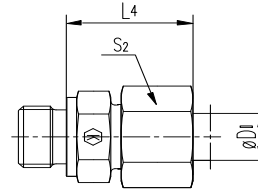
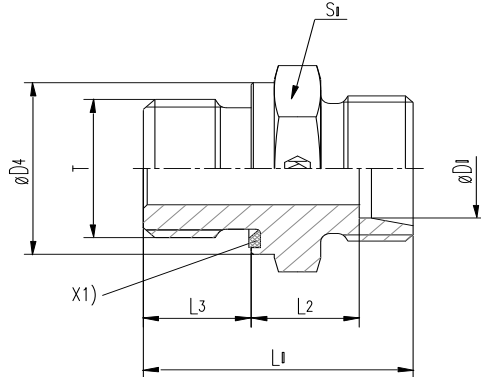
GE-R-ED Male stud connector  
Male BSPP thread-ED-seal (ISO 1179) 24° cone end

GE-R-ED Gerader Einschraubstutzen-Zölli. Einschraubzapfen -ED- 24°-Anschluss

**PREMOEM**  
PREMIUM HYDRAULIC SOLUTIONS - GERMANY

Order code without nut and cutting ring  
**XRE...(X501....)**

Order code with nut and cutting ring  
**RE...(501....)**



X1) Elastic-sealing ED

Series	Tube ØD1	T (BSPP)	D4	L1	L2	L3	L4	S1	S2	Weight g/1 piece	ITEM CODE	ITEM NAME	PN (bar)
S YB	6	G 1/4A	18.9	32.0	13.0	12	28	19	17	36	501310604	RE6YBR04PLX	630
	6	G 1/8A	13.9	27.5	12.5	8	27	14	17	21	501310602	RE6YBR02PLX	630
	6	G 3/8A	21.9	34.5	15.5	12	30	22	17	52	501310606	RE6YBR06PLX	630
	6	G 1/2A	26.9	39.0	18.0	14	33	27	17	83	501310608	RE6YBR08PLX	630
	8	G 1/4A	18.9	34.0	15.0	12	30	19	19	41	501310804	RE8YBR04PLX	630
	8	G 3/8A	21.9	34.5	15.5	12	30	22	19	57	501310806	RE8YBR06PLX	630
	8	G 1/2A	26.9	39.0	18.0	14	33	27	19	89	501310808	RE8YBR08PLX	630
	10	G 3/8A	21.9	34.5	15.0	12	31	22	22	55	501311006	RE10YBR06PLX	630
	10	G 1/4A	18.9	34.0	14.5	12	31	19	22	40	501311004	RE10YBR04PLX	630
	10	G 1/2A	26.9	39.0	17.5	14	34	27	22	96	501311008	RE10YBR08PLX	630
	12	G 3/8A	21.9	36.5	17.0	12	33	22	24	64	501311206	RE12YBR06PLX	630
	12	G 1/4A	18.9	36.0	16.5	12	33	22	24	54	501311204	RE12YBR04PLX	630
	12	G 1/2A	26.9	39.0	17.5	14	34	27	24	96	501311208	RE12YBR08PLX	630
	14	G 1/2A	26.9	41.0	19.0	14	37	27	27	96	501311408	RE14YBR08PLX	630
	14	G 3/8A	21.9	38.5	18.5	12	36	24	27	74	501311406	RE14YBR06PLX	630
	14	G 3/4A	31.9	45.0	21.0	16	39	32	27	138	501311412	RE14YBR12PLX	630
	16	G 1/2A	26.9	41.0	18.5	14	37	27	30	91	501311608	RE16YBR08PLX	400
	16	G 3/8A	21.9	38.5	18.0	12	36	27	30	84	501311606	RE16YBR06PLX	400
	16	G 3/4A	31.9	45.0	20.5	16	39	32	30	153	501311612	RE16YBR12PLX	400
	20	G 3/4A	31.9	47.0	20.5	16	42	32	36	147	501312012	RE20YBR12PLX	400
	20	G 1/2A	26.9	45.0	20.5	14	42	32	36	136	501312008	RE20YBR08PLX	400
	20	G 1A	39.9	49.0	20.5	18	44	41	36	250	501312016	RE20YBR16PLX	400
	20	G 1 1/4A	49.9	53.0	22.5	20	44	50	36	442	501312020	RE20YBR20PLX	400
	25	G 1A	39.9	53.0	23.0	18	47	41	46	260	501312516	RE25YBR16PLX	400
	25	G 1/2A	26.9	49.0	23.0	14	47	41	46	238	501312508	RE25YBR08PLX	400
	25	G 3/4A	31.9	51.0	23.0	16	47	41	46	238	501312512	RE25YBR12PLX	400
	25	G 1 1/4A	49.9	55.0	23.0	20	47	50	46	440	501312520	RE25YBR20PLX	400
	25	G 1 1/2A	54.9	60.0	26.0	22	50	55	46	482	501312524	RE25YBR24PLX	400
	30	G 1 1/4A	49.9	57.0	23.5	20	50	50	50	414	501313020	RE30YBR20PLX	400
	30	G 1A	39.9	55.0	23.5	18	50	46	50	321	501313016	RE30YBR16PLX	400
	30	G 1 1/2A	54.9	62.0	26.5	22	53	55	50	531	501313024	RE30YBR24PLX	315
	38	G 1 1/2A	54.9	64.0	26.0	22	57	55	60	562	501313824	RE38YBR24PLX	315
38	G 1 1/4A	49.9	62.0	26.0	20	57	55	60	552	501313820	RE38YBR20PLX	315	

S=heavy series

$\frac{\text{PN (bar)}}{10} = \text{PN (MPa)}$

Zinc plated=Cr(VI)-free