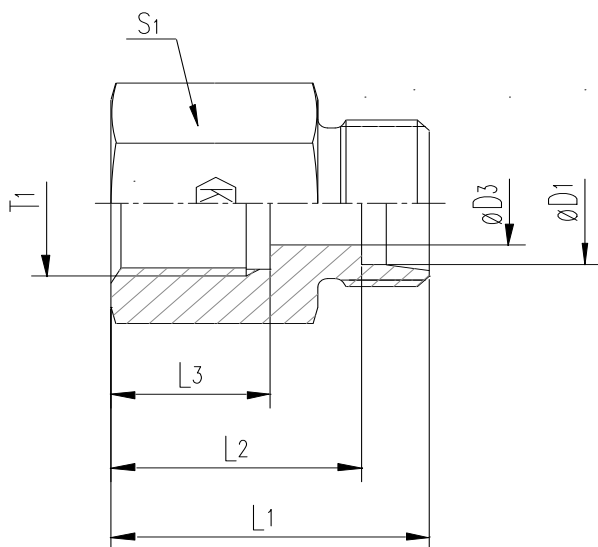


GAI-R Female connector
 Female BSPP thread (ISO 1179-1) 24° cone end

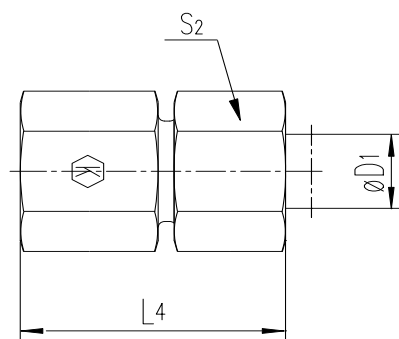
Gerader Aufschraubstutzen - Zöll. Innengewinde - (ISO 1179-1) - 24° Anschluss

PREMOEM
 PREMIUM HYDRAULIC SOLUTIONS - GERMANY

Order code without nut and cutting ring
XDRE....(X261...)



Order code with nut and cutting ring
DRE....(261...)



Series	Tube ØD1	T1	D3	L1	L2	L3	L4	S1	S2	Weight g/1 piece	ITEM CODE	ITEM NAME	PN (bar)
L NB	6	G 1/8A	4	26.0	19.0	12.0	34	14	14	18	261210602	DRE6NBR02	315
	6	G 1/4A	4	31.0	24.0	17.0	39	19	14	40	261210604	DRE6NBR04	315
	8	G 1/4A	6	31.0	24.0	17.0	39	19	17	56	261210804	DRE8NBR04	315
	8	G 3/8A	6	32.0	25.0	17.0	40	24	17	64	261210806	DRE8NBR06	315
	8	G 1/2A	6	36.0	29.0	20.0	44	27	17	82	261210808	DRE8NBR08	315
	10	G 1/4A	8	32.0	25.0	17.0	40	19	19	40	261211004	DRE10NBR04	315
	10	G 3/8A	8	33.0	26.0	17.0	41	24	19	65	261211006	DRE10NBR06	315
	10	G 1/2A	8	37.0	30.0	20.0	45	27	19	84	261211008	DRE10NBR08	315
	12	G 3/8A	10	33.0	26.0	17.0	41	24	22	63	261211206	DRE12NBR06	315
	12	G 1/2A	10	37.0	30.0	20.0	45	27	22	83	261211208	DRE12NBR08	315
	15	G 1/2A	12	38.0	31.0	20.0	46	27	27	89	261211508	DRE15NBR08	315
	18	G 1/2A	15	38.0	30.5	20.0	47	27	32	91	261211808	DRE18NBR08	315
	18	G 3/8A	15	34.0	26.5	17.0	43	27	32	95	261211806	DRE18NBR06	315
	22	G 3/4A	19	43.0	35.5	22.0	52	36	36	177	261212212	DRE22NBR12	160
	28	G 1A	24	45.5	38.0	24.5	55	41	41	212	261212816	DRE28NBR16	160
	35	G 1 1/4A	30	51.5	41.0	26.5	63	55	50	464	261213520	DRE35NBR20	160
42	G 1 1/2A	36	53.5	42.5	28.5	65	60	60	541	261214224	DRE42NBR24	160	
S YB	6	G 1/4A	4	33.0	26.0	17.0	41	19	17	44	261310604	DRE6YBR04	630
	8	G 1/4A	5	33.0	26.0	17.0	41	19	19	46	261310804	DRE8YBR04	630
	10	G 3/8A	7	34.0	26.5	17.0	43	24	22	68	261311006	DRE10YBR06	630
	12	G 3/8A	8	34.0	26.5	17.0	43	24	24	78	261311206	DRE12YBR06	630
	12	G 1/2A	8	38.0	30.5	20.0	47	30	24	121	261311208	DRE12YBR08	630
	14	G 1/2A	10	40.0	32.0	20.0	50	30	27	124	261311408	DRE14YBR08	630
	16	G 1/2A	12	40.0	31.5	20.0	50	30	30	126	261311608	DRE16YBR08	400
	20	G 3/4A	16	45.0	34.5	22.0	56	36	36	190	261312012	DRE20YBR12	400
	25	G 1A	20	49.5	37.5	24.5	62	41	46	244	261312516	DRE25YBR16	400
	30	G 1 1/4A	25	55.5	42.0	26.5	69	55	50	509	261313020	DRE30YBR20	400
	38	G 1 1/2A	32	59.5	43.5	28.5	74	60	60	623	261313824	DRE38YBR24	315

L= light series
 S= heavy series

$\frac{\text{PN (bar)}}{10} = \text{PN (MPa)}$

Zinc plated=Cr(VI)-free

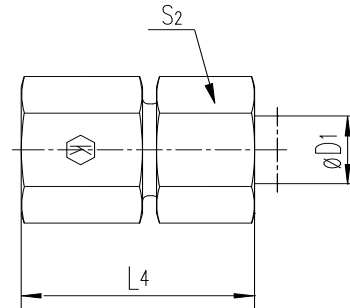
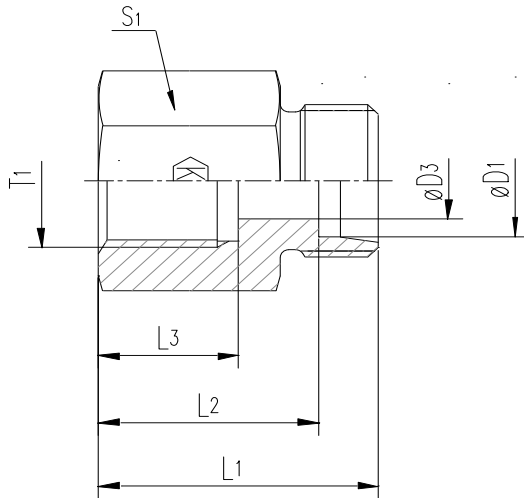
GAI-M Female connector
 Female metric thread (ISO 9974-1) 24° cone end

GAI-M Gerader Aufschraubstutzen - Metr. Innengewinde - (ISO 9974-1) - 24° Anschluss

PREMOEM
 PREMIUM HYDRAULIC SOLUTIONS - GERMANY

Order code without nut and cutting ring
XDRE....(X262...)

Order code with nut and cutting ring
DRE....(262...)



Series	Tube ØD1	T1	D3	L1	L2	L3	L4	S1	S2	Weight g/1 piece	ITEM CODE	ITEM NAME	PN (bar)
L NB	6	M10x1	4	26.5	19.5	12.5	34	14	14	18	262220610	DRE6NBM10	315
	8	M12x1.5	6	31.0	24.0	17.0	39	17	17	32	262220812	DRE8NBM12	315
	10	M14x1.5	8	32.0	25.0	17.0	40	19	19	39	262221014	DRE10NBM14	315
	12	M16x1.5	10	33.0	26.0	17.0	41	22	22	52	262221216	DRE12NBM16	315
	15	M18x1.5	12	35.0	28.0	17.0	43	24	27	68	262221518	DRE15NBM18	315
	18	M22x1.5	15	37.0	29.5	19.0	46	30	32	111	262221822	DRE18NBM22	315
	22	M26x1.5	19	42.0	34.5	21.0	51	32	36	123	262222226	DRE22NBM26	160
	28	M33x2	24	45.0	37.5	24.0	54	41	41	211	262222833	DRE28NBM33	160
	35	M42x2	30	51.0	40.5	26.0	62	55	50	459	262223542	DRE35NBM42	160
42	M48x2	36	53.0	42.0	28.0	65	60	60	522	262224248	DRE42NBM48	160	
S YB	6	M12x1.5	4	33.0	26.0	17.0	41	17	17	35	262320612	DRE6YBM12	630
	8	M14x1.5	5	33.0	26.0	17.0	41	17	19	42	262320814	DRE8YBM14	630
	10	M16x1.5	7	34.0	26.5	17.0	43	22	22	58	262321016	DRE10YBM16	630
	12	M18x1.5	8	35.0	27.5	17.0	44	24	24	70	262321218	DRE12YBM18	630
	14	M20x1.5	10	39.0	31.0	19.0	49	27	27	95	262321420	DRE14YBM20	630
	16	M22x1.5	12	39.0	30.5	19.0	49	30	30	114	262321622	DRE16YBM22	400
	20	M27x2	16	45.0	34.5	22.0	56	36	36	189	262322027	DRE20YBM27	400
	25	M33x2	20	49.0	37.0	24.0	61	41	46	235	262322533	DRE25YBM33	400
	30	M42x2	25	55.0	41.5	26.0	68	55	50	490	262323042	DRE30YBM42	400
38	M48x2	32	59.0	43.0	28.0	74	60	60	597	262323848	DRE38YBM48	315	

L= light series
 S= heavy series

$\frac{PN \text{ (bar)}}{10} = PN \text{ (MPa)}$
 Zinc plated=Cr(VI)-free