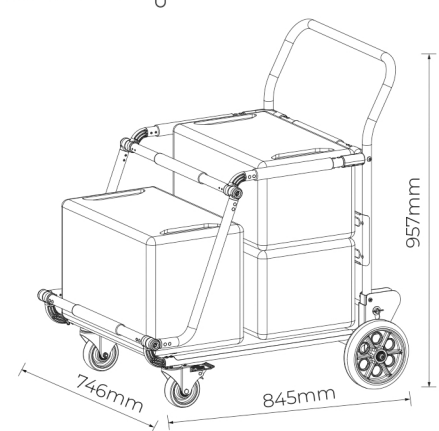


110mm

200mm

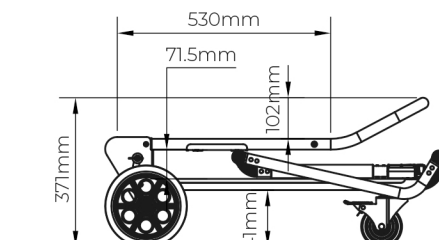
Just Power On

**Dimensions**



(Unfolded)

Note: The batteries are sold separately.




(Folded)

**Specifications**

Foldable Trolley	
Material	PP/Aluminium Alloy/TPR/Iron
Load Capacity	150kg/330lbs
Dimensions (Unfolded)	(L*W*H) 845mm*746mm*957mm/ 33.3inch*29.4inch*37.7inch
Dimensions (Folded)	(L*W*H) 845mm*746mm*371mm/ 33.3inch*29.4inch*14.6inch

**EU REP**  
Company: POWEROAK GmbH  
Address: Lindkurmstr. 114, 80337 München Germany  
Mail: log@bluettide

**UK REP**  
Company: POWEROAK ENERGY UK CO.,LTD  
Address: Unit 2 NorthGate, Bolsover Business Park,  
Woodhouse Lane Chesterfield England, S44 6BD  
Mail: poweroakeu@bluetti.com



**User Manual**

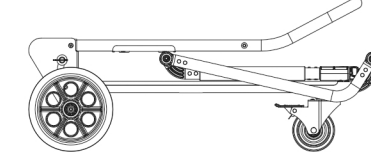
Please read this manual before use and follow its guidance. Keep this manual for future reference.

200mm

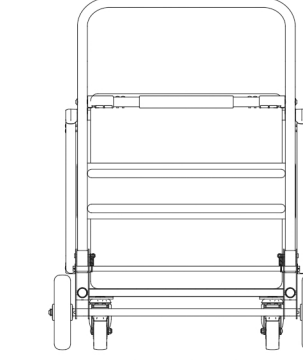
Just Power On

**In The Box**

No.	Item	Qty.
1	Foldable Trolley	1pc



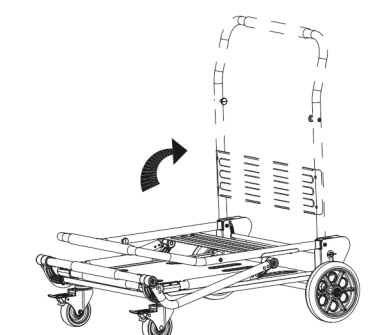
(Folded)




(Unfolded)

**How to Use**

**1 Unfold the Trolley**




Step 1  
Lift the handle till it locks.




Step 2  
Lift the fence.

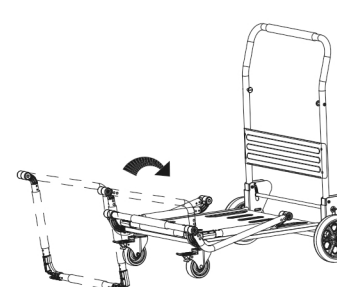
**2 Fold the Trolley**



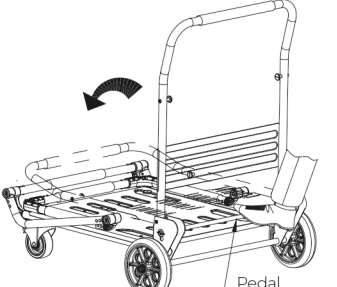
Step 1  
Pull out the fence.




Step 2  
Remove the batteries.



Step 3  
Put back the fence.



Step 4  
Hold the pedal with your foot and return the handle to its original position.



**Foldable Trolley**

Please read this manual before use and follow its guidance. Keep this manual for future reference.