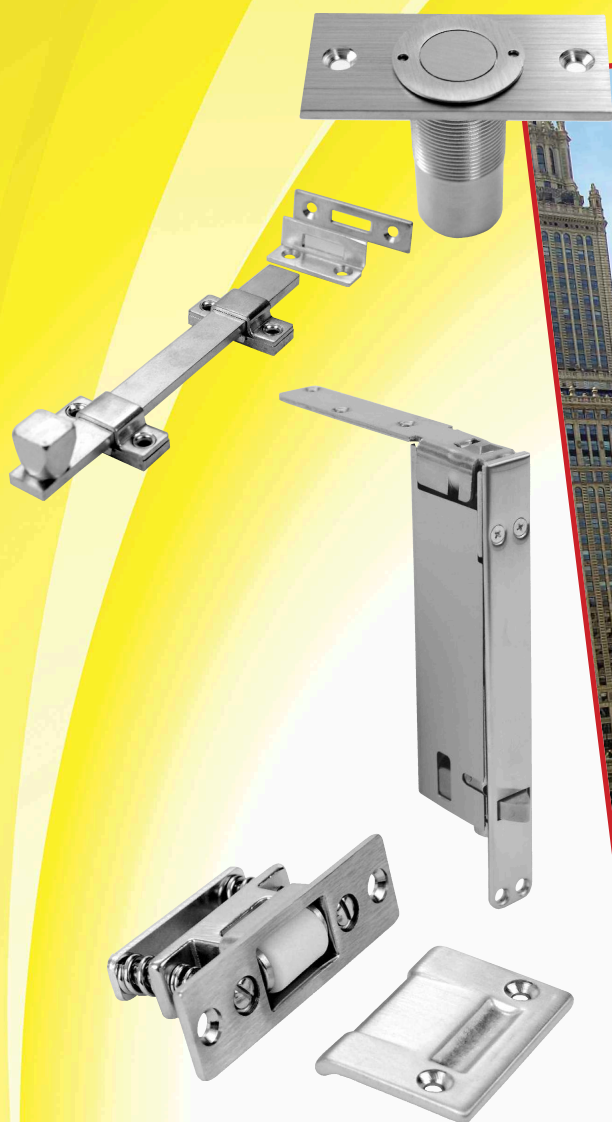


DON-JO MFG., INC.

ARCHITECTURAL HARDWARE & ACCESSORIES



Chicago, Illinois

BOLTS & LATCHES

DON-JO MFG., INC.
P.O. Box 929
Sterling, MA 01564

PHONE: 978.422.3377
FAX: 978.422.3467
WATS: 800.628.8389
WATS FAX: 800.278.8202

WEB: www.don-jo.com
E-mail: info@don-jo.com
Section D, Version 1



INDEX

Item#	Page#	Item#	Page#	Item#	Page#	Item#	Page#
1550	2d	1579	5d	1640	2d	1720	4d
1551	2d	1580	5d	1640R	2d	1722	4d
1555	1d	1581	5d	1700	3d	1724	4d
1557	1d	1582	5d	1702	3d	RB-50	2d
1560	1d	1630	6d	1704	3d	RG-50	2d
1562	2d	1632	6d	1710	3d	SB-2	6d
1570	3d	1634	6d	1712	4d	SB-3	6d
1572	3d	1636	6d	1714	4d	SB-4	6d
1573	3d	1638	6d	1716	4d	SB-6	6d
1578	5d	1639	6d	1718	4d	SB-12	6d

FLUSH BOLTS



1555
Metal Doors



1557
Wood Doors

NUMBER	SIZE	ANSI A156.16	MATERIAL
1555	Face Plate: 1" x 6 3/4"	L14251	Cast Brass
	Strike: 15/16" x 2 1/4"		
	Guide: 1" x 2"		
1557	Face Plate: 1" x 6 3/4"	L04261	Cast Brass
	Strike: 15/16" x 2 1/4"		

SHELF PACK: 10

Box Pack

FASTENERS: (1555) 4 ea. #8 x 1 1/2" Combo Screw, 4 ea. #8 x 3/4" Combo Screw
(1557) 7 ea. #8 x 3/4" Combo Screw

FEATURES: (1555) • Fits ANSI Door & Frame Prep.
• 3/4" Bolt Throw, 3/4" Rod Backset
• 12" Rod length
• 1 1/2" Adjustable Bolt Head

FEATURES: (1557) • 3/4" Bolt Throw, 3/4" Backset
• Door strength maintained by corner reinforcement plate

FINISHES: 605, 606, 612, 613, 625, 626

OPTIONS: (1555) Longer rod options available
Works w/1570 Dust Proof Strike

AUTOMATIC FLUSH BOLTS



1560
Metal Doors

NUMBER	SIZE	ANSI A156.3	MATERIAL
1560	Face Plate: 1" x 6 3/4"	Type 25	Brass
	Strike: 15/16" x 2 1/4"		Cast Brass
	Guide: 1" x 1 7/8"		Cast Brass
	Door Strike: 1 3/4" x 1 3/4"		Cast Brass

SHELF PACK: 10

Box Pack

FASTENERS: 8 ea. #8 x 3/4" Combo Screw, 2 ea. #8 x 3/8" MS

FEATURES: • Non handed
• Conforms to UL, IOC and UBC 7-2-1997
• For Fire Rated Metal Doors labeled A, B, C, D & E
• Sold in pairs
• Fits standard ANSI prep for metal doors
• Requires only 5 lbs. of force meeting ADA regulations
• 1" vertical adjustment for bolts

FINISHES: 605, 613, 626

OPTION: Works w/1570 Dust Proof Strike

AUTOMATIC FLUSH BOLT



1562
Wood Doors

NUMBER	SIZE	ANSI A156.3	MATERIAL
1562	Face Plate: 1" x 8 1/2"	Type 25	Cast Brass
	Frame Strike: 15/16" x 2 1/4"		
	Guide: 1" x 6 1/16"		
	Door Strike: 1 1/4" x 1 3/4"		

SHELF PACK: 10 **Box Pack**
FASTENERS: 6 ea. #8 x 3/4" Combo Screw, 2 ea. #8 x 3/8" MS, 3 ea. #10 x 1" SMS
FEATURES:

- Non handed
- Conforms to UL, IOC and UBC 7-2-1997
- For Fire Rated Wood Doors labelled B, C, D & E
- Sold in pairs
- Fits standard ANSI prep for wood doors
- Requires only 5 lbs. of force meeting ADA regulations
- Bolt has 3/4 vertical adjustments

FINISHES: 605, 613, 626
OPTION: Works w/I570 Dust Proof Strike

FLUSH BOLTS



1640



1640R

NUMBER	SIZE	ANSI A156.16	MATERIAL
1640	Face Plate: 3/4" x 6"	L04201	Cast Brass
	Strike: 15/16" x 2"		
1640R	Face Plate: 3/4" x 6"	L04201	Cast Brass
	Strike: 15/16" x 2"		

SHELF PACK: 10 **Box Pack**
FASTENERS: 4 ea. #6 x 3/4" SMS
FEATURES:

- 1" bolt throw
- 1/2" diameter bolt
- For wood doors only!
- (1640R) 3/8" Radius End

FINISHES: 605, 609, 613, 619, 620, 626

ALUMINUM DOOR FLUSH BOLTS



1550



1551



RB-50

RG-50

NUMBER	DIMENSIONS	OFFSET
1550	15/16" x 4 1/4"	1/8"
1551	Radius End	1/4"
RB-50	-	-
RG-50	-	-

SHELF PACK: 4 **Box Pack**
FASTENERS: (1550, 1551) 3 ea. #8-32 x 1/2" MS
 (RG50) 2 ea. #8-32 x 1/2" MS
FINISHES: SL, DU



DUST PROOF STRIKES



1570



1572



1573

NUMBER	DIMENSIONS	ANSI A156.16	MATERIAL
1570	2 7/8" x 2 1/4"	L24021	Cast Brass
1572	15/16" Dia. x 2" Depth	L24021	Cast Brass
1573	2 7/8" x 2 1/4"	L24021	Cast Brass

SHELF PACK: 10 Polybagged
FASTENERS: (1570, 1573) 2 ea. #8 x 1" SMS, 2 ea. Plastic Anchor
FEATURE: (1573) Can be locked closed
FINISHES: 605, 612, 613, 625, 626
 (1573) 605, 613, 626

ROLLER LATCHES



1700



1702



1704



1710

NUMBER	SIZE	ANSI A156.16	MATERIAL
1700	Body: 3 3/8" x 1"	E19091	Cast Brass
	Strike: 1 11/16" x 2 1/4"		
1702	Body: 3 3/8" x 1"	-	Cast Brass
	Strike: 1 1/8" x 2 3/4"		
1704	Body: 3 3/8" x 1"	E19091	Cast Brass
	Strike: 1 1/4" x 4 7/8"		
1710	Body: 2 1/4" x 7/8"	L17802	Cast Brass
	Strike: 2 1/4" x 1 3/4"		

SHELF PACK: 10 Polybagged
FASTENERS: (1700, 1702) 2 ea. #8 x 1" SMS, 2 ea. #8-32 x 3/4" MS, 2 ea. #10 x 1 1/2" SMS
 (1704) 2 ea. #12-24 x 1/2" MS, 2 ea. #12 x 3/4" SMS, 2 ea. #10 x 1 1/2" SMS
 (1710) 4 ea. #8 x 1" SMS
FEATURES: • Solid nylon roller for silent operation
 • Adjustable roller latch
FINISHES: 605, 613, 619, 620, 626



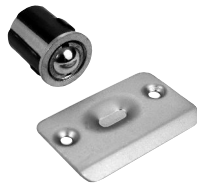
BALL LATCHES



1712



1714

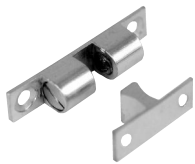


1716

NUMBER	LATCH DIMENSIONS	STRIKE	MATERIAL
1712	2 1/8" x 1"	2 1/8" x 1" / 2 1/8" x 1 3/8"	Cast Brass
1714	2 1/4" x 1"	2 1/8" x 1 13/32"	Cast Aluminum
1716	1"	2 1/4" x 1 13/32"	Cast Brass

SHELF PACK: 20 Polybagged
FASTENERS: (1712) 6 ea. #6 x 5/8" SMS
 (1714) 4 ea. #8 x 3/4" SMS
 (1716) 2 ea. #8 x 3/4" SMS
FEATURES: (1712) Packed with narrow & wide strikes / Adjustable height
 (1714) Packed with full lip R/C strike
 (1716) Drive In latch
FINISHES: (1712) 605, 613, 619, 620, 626
 (1714) 605, 609, 613, 619, 620
 (1716) 605, 609, 613, 619, 620, 626

FRICTION CATCH



1718

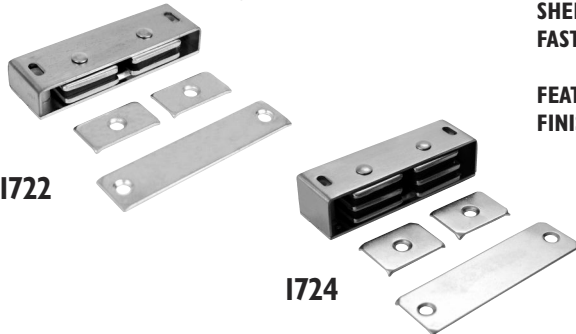
NUMBER	SIZE			ANSI A156.16	MATERIAL
	Height	Wide	Depth		
1718	Body: 1 7/8"	3/8"	7/16"	B13302	Cast Brass
	Strike: 1 1/8"	3/8"	7/16"		

SHELF PACK: 20 Polybagged
FASTENERS: 4 ea. #5 x 1/2" SMS
FINISHES: 605, 613, 619, 620, 625, 626

MAGNETIC CATCHES



1720



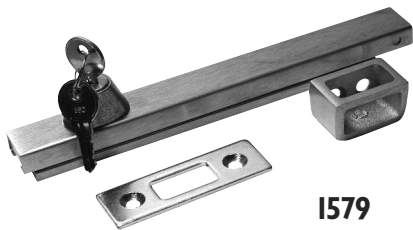
1722

1724

NUMBER	DIMENSIONS	LOAD CAPACITY	ANSI A156.16	MATERIAL
1720	2 1/16" x 1 1/8" x 5/8"	5 lbs.	-	Brass
1722	3 1/8" x 1" x 9/16"	9 lbs.	B43161	Brass
1724	3 1/8" x 1" x 3/4"	14 lbs.	B43161	Brass

SHELF PACK: 10 Polybagged
FASTENERS: (1720) 3 ea. #6 x 5/8" SMS
 (1722, 1724) 2 ea. #6 x 1 1/4" WS, 2 ea. #6 x 5/8" SMS
FEATURES: (1722, 1724) packaged w/multiple strikes
FINISHES: 605, 626

SURFACE BOLT WITH KEYS



1579

NUMBER	BOLT LENGTH	ANSI A156.16	MATERIAL
1579	8"	L84161	Steel

SHELF PACK: 10 Polybagged
FASTENERS:
FEATURES:

- Locks open or closed with a key
- Consealed screw mount

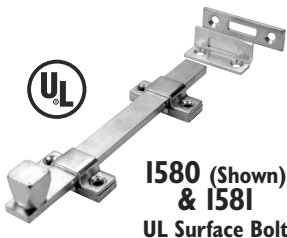
FINISHES: 626

SURFACE BOLTS—UL RATED



1578

UL Surface Bolt



1580 (Shown) & 1581
UL Surface Bolt

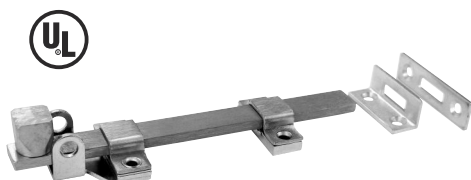
NUMBER	BOLT LENGTH	ANSI A156.16	MATERIAL
1578	8"	L84161	Steel
1580	8"	L84161	Steel
1581	12"	L84161	Steel

SHELF PACK: 10 Polybagged
FASTENERS: (1578) 5 ea. #10 x 1" MS, 5 ea. #10 x 1 1/4" SMS, 2 ea. Plastic Anchors
 (1580, 1581) 8 ea. #12-24 x 1" MS, 8 ea. #12 x 1 1/4" SMS
FEATURES:

- Furnished with Rim and Mortise strikes
- (1580, 1581) 1 1/8 bolt throw, 1/4" x 3/4" size
- (1578) Consealed screw mount

FINISHES: (1578) 626
 (1580) 605, 613, 626
 (1581) 626
OPTION: Sex bolt available

SURFACE BOLTS—UL RATED



1582

NUMBER	BOLT LENGTH	THROW	MATERIAL
1582	8"	1"	Stainless Steel

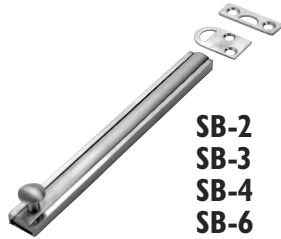
SHELF PACK: 10 Polybagged
FASTENERS: 6 ea. #10-24 x 1" MS, 6 ea. #10 x 1 1/4" SMS
FEATURES:

- 1/4" x 3/4" bolt size
- Furnished with rim and mortise strikes
- Padlock not included

FINISH: 626, 630



SLIDE BOLTS



SB-2
SB-3
SB-4
SB-6
SB-12

NUMBER	DIMENSIONS	ANSI A156.16	MATERIAL
SB-2	5/8" x 2"	L0415 I	Solid Brass
SB-3	5/8" x 3"	L0415 I	Solid Brass
SB-4	5/8" x 4"	L0415 I	Solid Brass
SB-6	5/8" x 6"	L0415 I	Solid Brass
SB-12	5/8" x 12"	L0415 I	Solid Brass

SHELF PACK: 10 Polybagged
FASTENERS: 6 ea. #6 x 3/4" SMS
FINISHES: (SB-2, SB-3) 605, 613, 619, 620, 625, 626
 (SB-4, SB-6, SB-12) 605, 613, 619, 620, 625, 626
FEATURES: Furnished with rim, mortise strikes

DUTCH DOOR BOLTS



1630 1636
1632 1638
1634 1639

NUMBER	DIMENSIONS	BOLT	MATERIAL
1630	4 1/2" x 1 5/8"	5/8" Half Round	Solid Brass
1632	8" x 1 5/8"	5/8" Half Round	Solid Brass
1634	12" x 1 5/8"	5/8" Half Round	Solid Brass
1636	18" x 1 5/8"	5/8" Half Round	Solid Brass
1638	24" x 1 5/8"	5/8" Half Round	Solid Brass
1639	36" x 1 5/8"	5/8" Half Round	Solid Brass

SHELF PACK: 10 Polybagged
FASTENERS: (1630) 8 ea. #6 x 1" SMS
 (1632, 1634, 1636, 1638, 1639) 11 ea. #6 x 1" SMS
FEATURES: • Furnished w/rim, mortise & t-strikes
 • 1" dia. knob
FINISHES: 605, 613, 619, 620, 625, 626