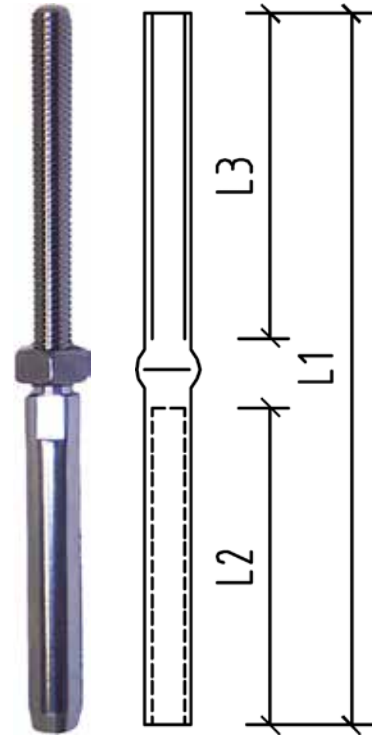


All care is taken to ensure measurements are correct at time of printing. However changes may occur so it is advised to confirm sizes if dimensions are critical.

## SWAGE STUD (THREADED TERMINAL)

CODE	WIRE DIAMETER METRIC	WIRE DIAMETER IMPERIAL	THREAD	L1	L2	L3 THREAD
SS-7801-225	2.4	3/32"	M5	81	30	40
SS-7801-225L	2.4	3/32"	M5 Left	81	30	40
SS-7801-02M	2.4	3/32"	M6	86	32	40
SS-7801-03L		1/8"	M6 Left	91	40	40
SS-7801-03M		1/8"	M6	91	40	40
SS-7801M-03M	3		M6	97	40	40
SS-7801M-03ML	3		M6 Long	118	40	75
SS-7801-03ML		1/8"	M6 Long	118	40	75
SS-7801-03MY		1/8"	M6	100	52	42
SS-7801-305		1/8"	M5	91	40	40
SS-7801-020		1/8"	M5	59	33	22.5
SS-7801M-020	3		M5	58.7	34	22.5
SS-7801M-305M	3		M5	91	40	40
SS-7801-305L		1/8"	M5 Left	90	40	40
SS-7801-04L	4	5/32"	M8 Left	118	43	57
SS-7801-04M	4	5/32"	M8	120	47	90
SS-7801-04ML	4	5/32"	M8 Long	143	47	90
SS-7801-046	4	5/32"	M6	116	46	50
SS-7801-046L	4	5/32"	M6 Left	116	46	50
SS-7801-05L		3/16"	M8Left	121	58	57
SS-7801-05M		3/16"	M8	121	53	60
SS-7801-510		3/16"	M10	129	56	60
SS-7801-05ML		3/16"	M10 Long	177	58	115
SS-7801M-610	6		M10	164	67	85
SS-7801-06M	6		M12	162	67	78
SS-7801-610		1/4"	M10	164	67	85
SS-7801M-06M	6		M12	162	67	78
SS-7801-06M		1/4"	M12	162	67	78
SS-7801-06ML		1/4"	M12 Long	222	67	143
SS-7801-128	8	5/16"	M12	180	85	83
SS-7801-08M	8	5/16"	M16	215	80	112
SS-7801-1638		3/8"	M16	215	90	105
SS-7801-2038		3/8"	M16	215	90	105
SS-780M-2010	10		M20	215	91	106
SS-7801-2012		1/2"	M20	245	120	118
SS-7801M-2012	12		M20	245	120	118
SS-7801M-2414	14		M24	335	165	125



Wire Size	D	D1
	0.2	-0.05
3/32"	2.8	5.5
3mm	3.3	6.35
1/8"	3.5	6.35
5/32"	4.4	7.5
3/16"	5.1	9
5mm	5.3	9
7/32"	5.8	10.8
6mm	6.5	12.5
1/4"	6.8	12.5
5/16"	8.4	16
3/8"	10	17.8
10mm	10.5	17.8
12mm	12.5	21.4
1/2"	13.5	21.4
14mm	14.8	25
16mm	16.5	28