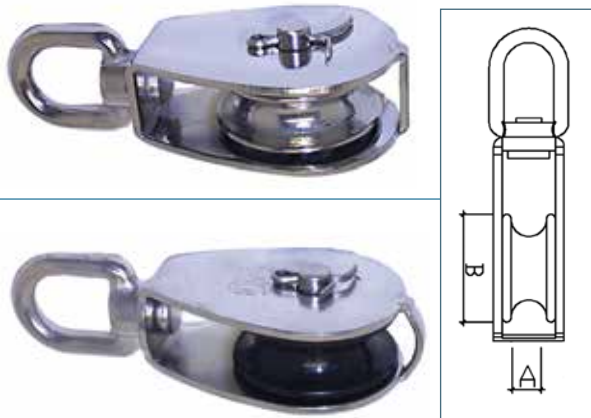




MAME BLOCK NYLON SHEAVE WITH BECKET - 304 GRADE

CODE	TYPE	SHEAVE DIA & TYPE	ROPE DIA	C	B	A	TDL (KG)
SS-314ANL-32	SINGLE	32 NYLON	10	95	14	6	600
SS-315ANL-32	DOUBLE	32 NYLON	10	95	14	6	600
SS-314ANL-50	SINGLE	50 NYLON	13	125	20	8	600
SS-315ANL-50	DOUBLE	50 NYLON	13	125	20	8	600
SS-314AS-32	SINGLE	32 S/S	10	95	14	6	600
SS-315AS-50	DOUBLE	50 S/S	13	125	20	8	600



SMALL SWIVEL HEAD BLOCK WITH STAINLESS STEEL SHEAVE

CODE	TYPE	B	A	TDL (KG)
SS-3141S-32	SINGLE	32	9	600
SS-3141S-50	SINGLE	50	12	600



MINI BLOCK - REMOVABLE PIN - NYLON SHEAVE - 304 GRADE

CODE	TYPE	S	D	TDL (KG)
SS-3252-25	SINGLE	25	6	250



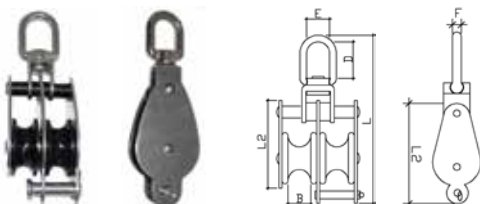
MINI BLOCK WITH BECKET - NYLON SHEAVE - 304 GRADE

CODE	W	SUIT ROPE	D	L	TDL (KG)
SS-8257-25	25	25	6	59	250



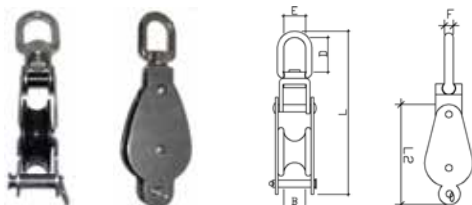
MINI BLOCK SINGLE NYLON SHEAVE - 304 GRADE

CODE	W	SUIT ROPE	D	L	TDL (KG)
SS-8258-25	25	25	8	45	250



MAME BLOCK DOUBLE NYLON / EYE PLATE - 304 GRADE

CODE	B	D	E	L	L2	TDL (KG)
SS-3151NL/B32	15	22	13	113.5	76	600
SS-3151NL/B50	21	26.75	20	162	104.75	600



MAME BLOCK DOUBLE NYLON / EYE PLATE - 304 GRADE

CODE	B	D	E	L	L2	TDL (KG)
SS-3141NL/B50	21	26.23	20	162	104.75	600