



# K O D A M A

## Small Zome Lounger

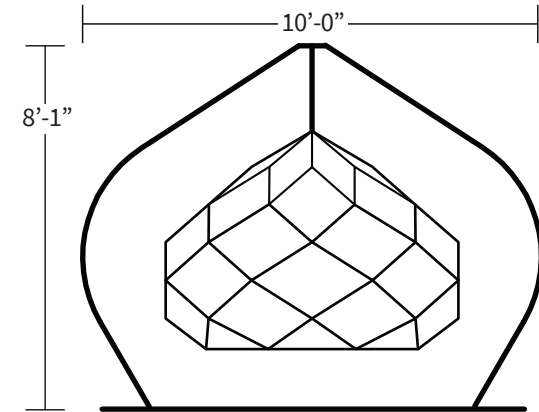
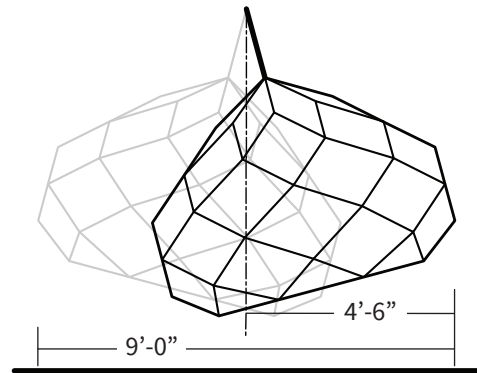
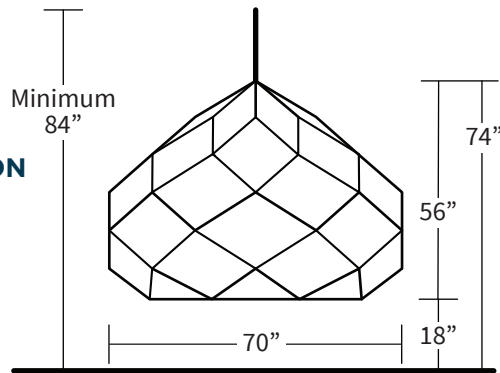
### Product Dimensions

#### PRODUCT DIMENSIONS

#### CLEARANCE DIMENSIONS

#### DIMENSIONS W/ STAND

ELEVATION  
VIEW



Typical minimum clearance dims shown.  
Actual amount of swing depends on  
length of rigging to overhead anchor.

#### ADDITIONAL INFO:

Allowable Weight Capacity: 500 lbs.  
Requires overhead anchor capable of 1,000 lbs.  
Comfortable for 1-2 people.

Typical height to overhead anchor ranges from 8' to 12'.  
As anchor height increases, clearance dimensions increase.

Optional Tether Kits available to restrict swing and reduce clearance needed.