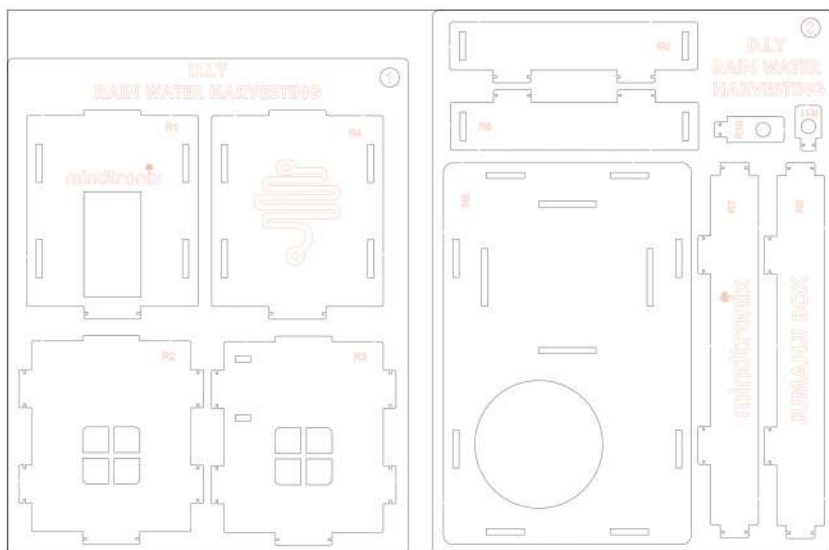
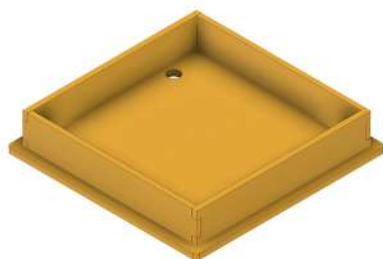


# RAIN WATER HARVESTING



## HOUSE MDF SET



ROOF



PLASTIC BOWL



RUBBER PIPE



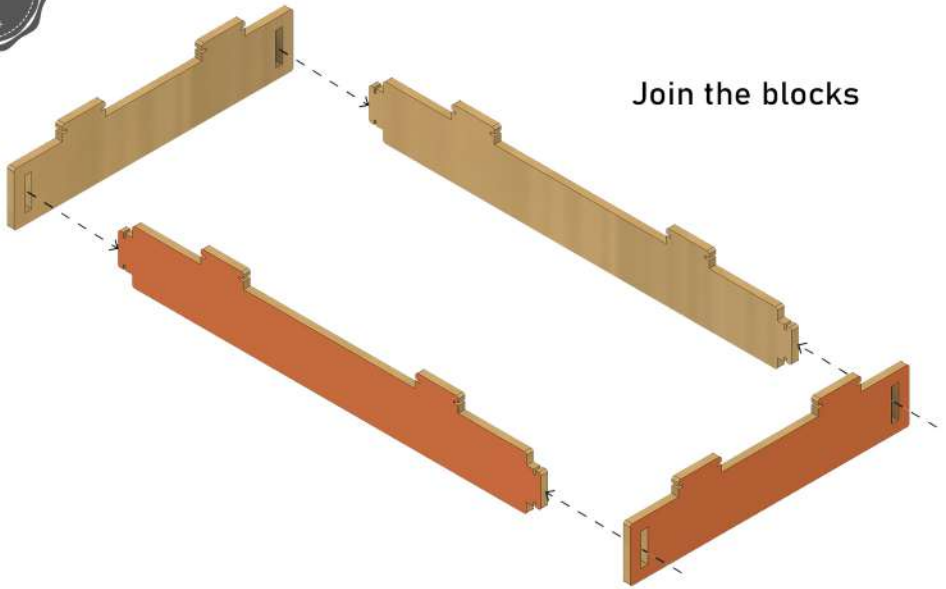
RUBBER-BANDS X15



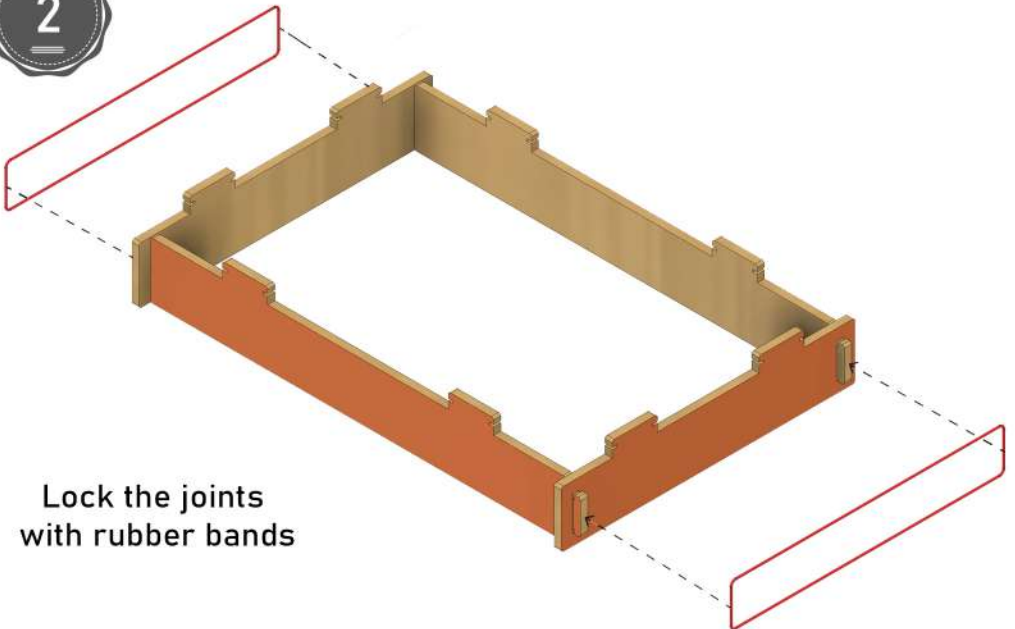
SPARE

RUBBER-BANDS X15

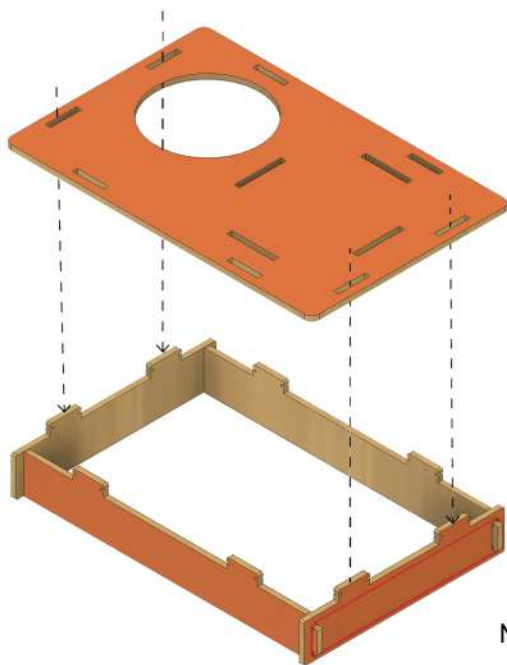
1



2



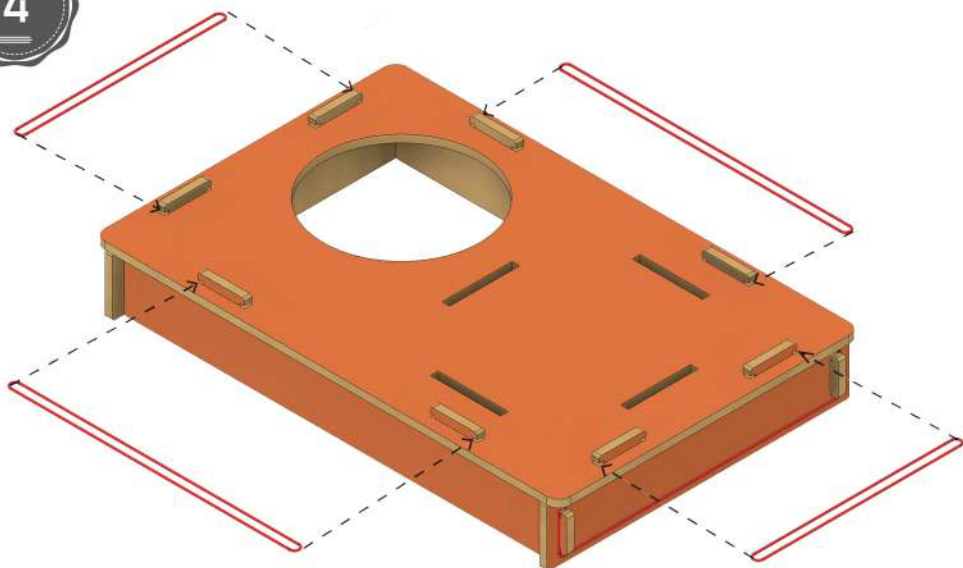
3



Now, Place R5 on the top  
of the base blocks

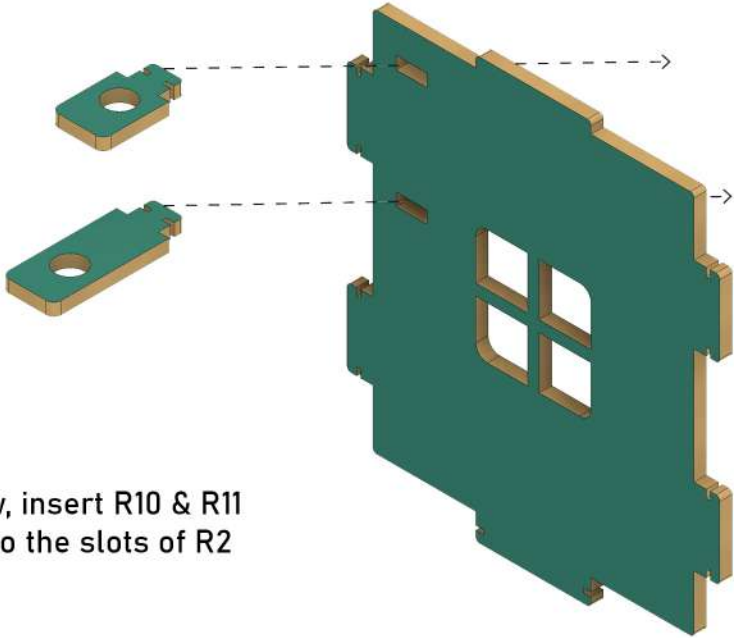


4



Lock the joints using Rubber bands

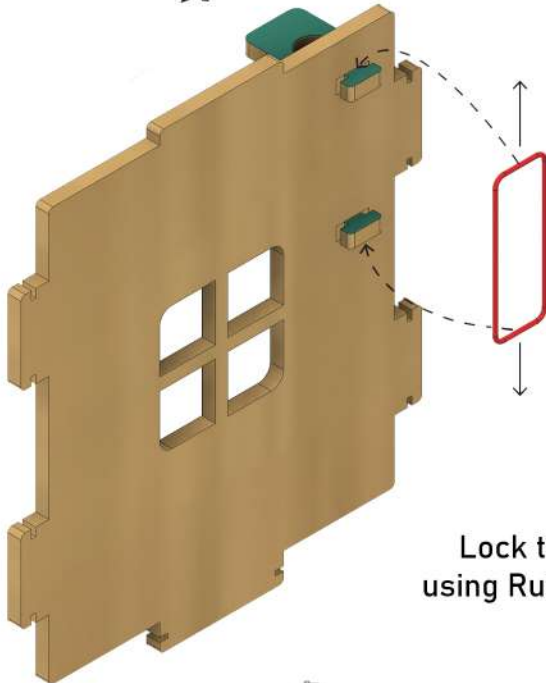
5



Now, insert R10 & R11  
onto the slots of R2

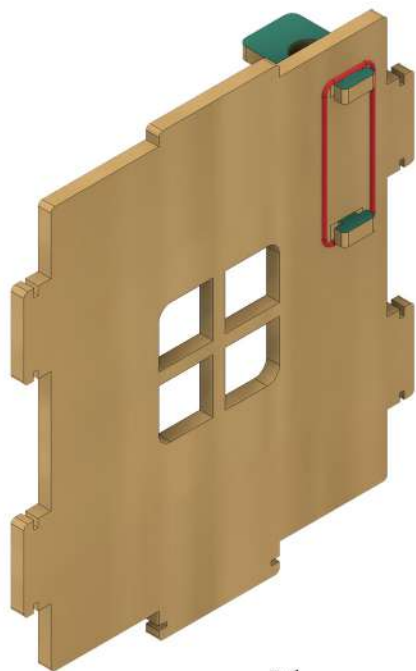


6



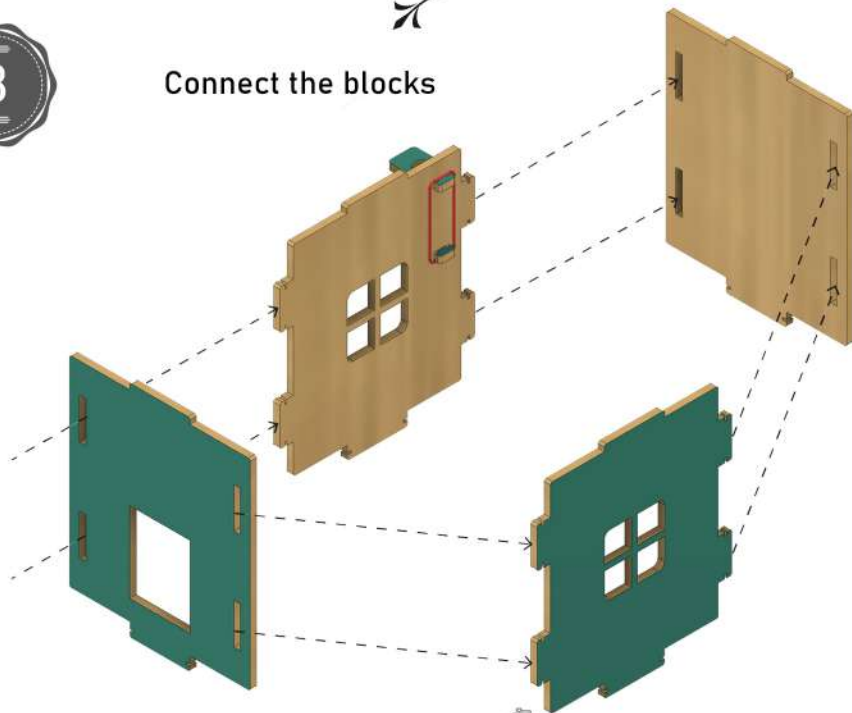
Lock the joints  
using Rubber bands

7

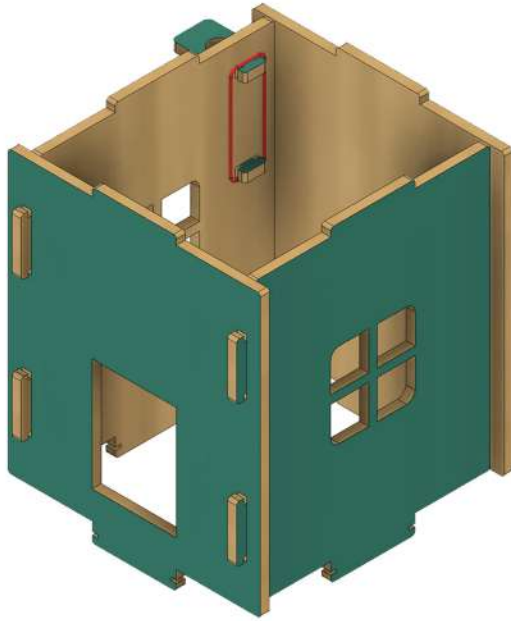


8

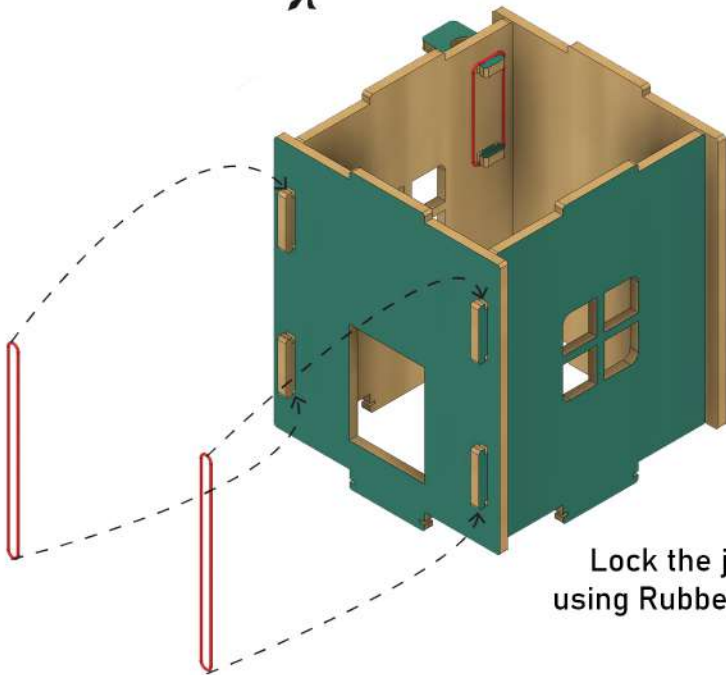
Connect the blocks



9

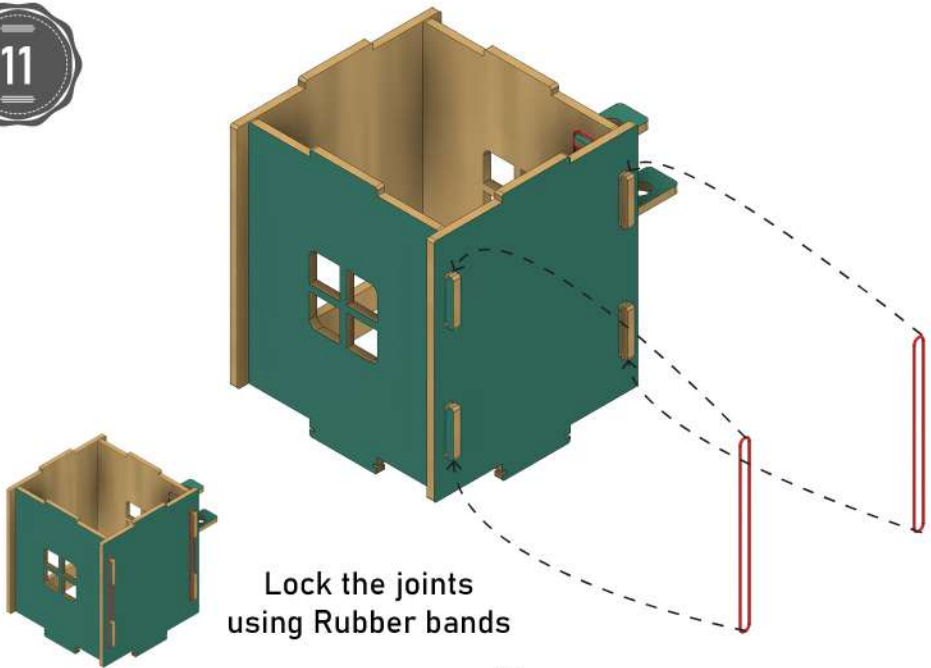


10



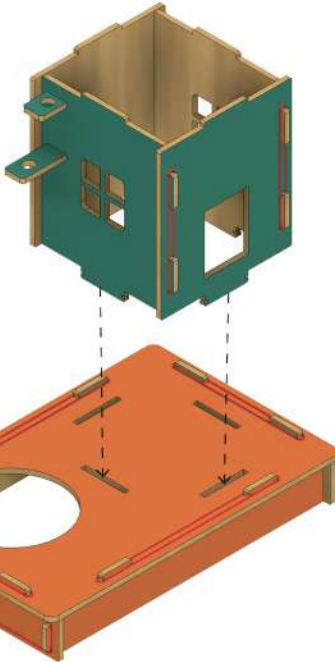
Lock the joints using Rubber bands

11



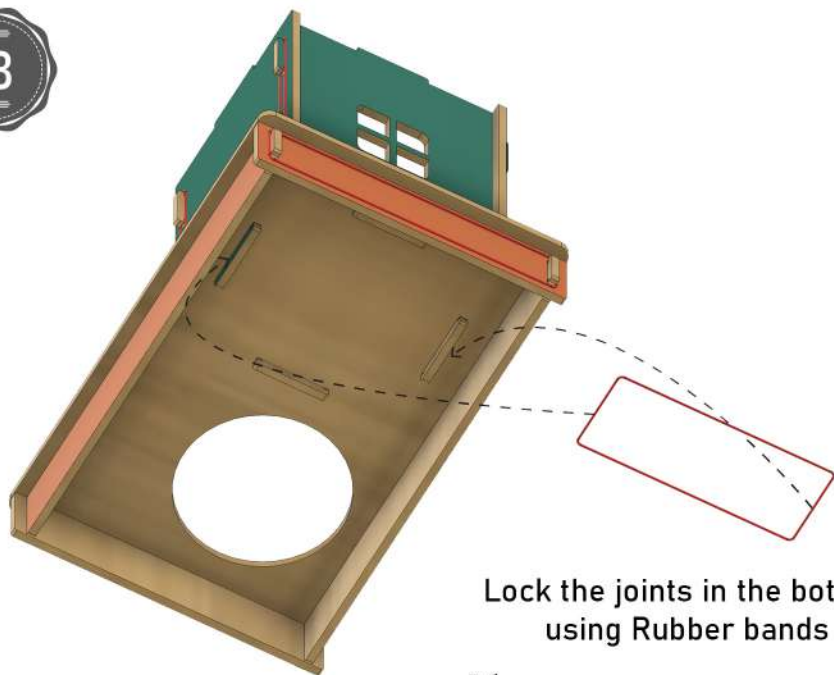
Lock the joints  
using Rubber bands

12



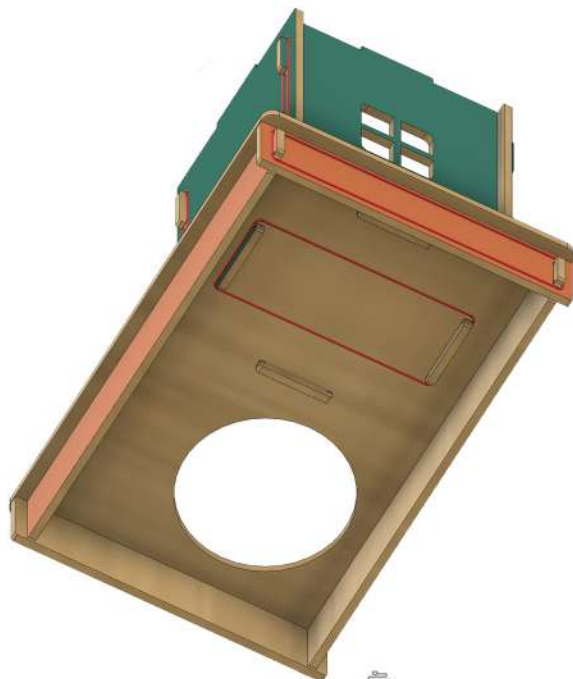
Now, Place the House set  
on the R5 set

13



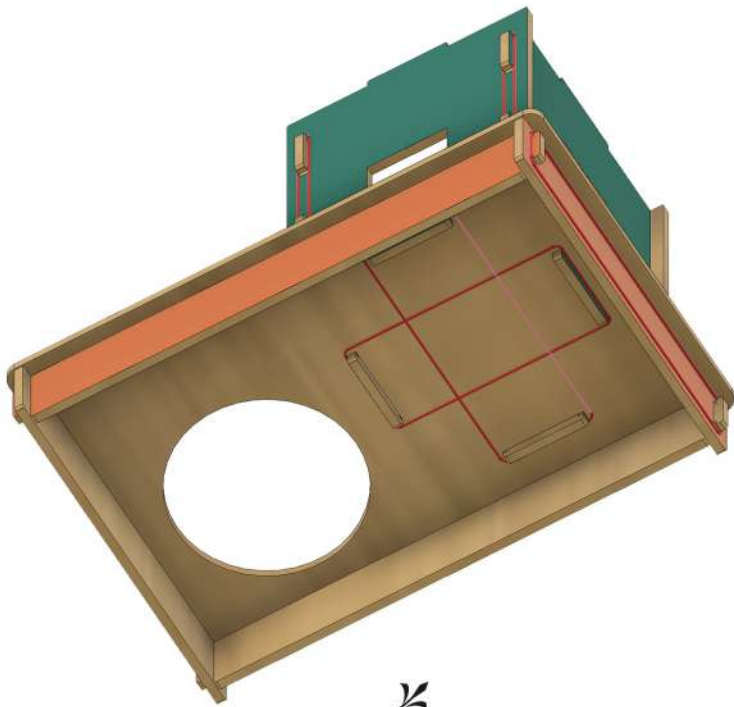
Lock the joints in the bottom  
using Rubber bands

14

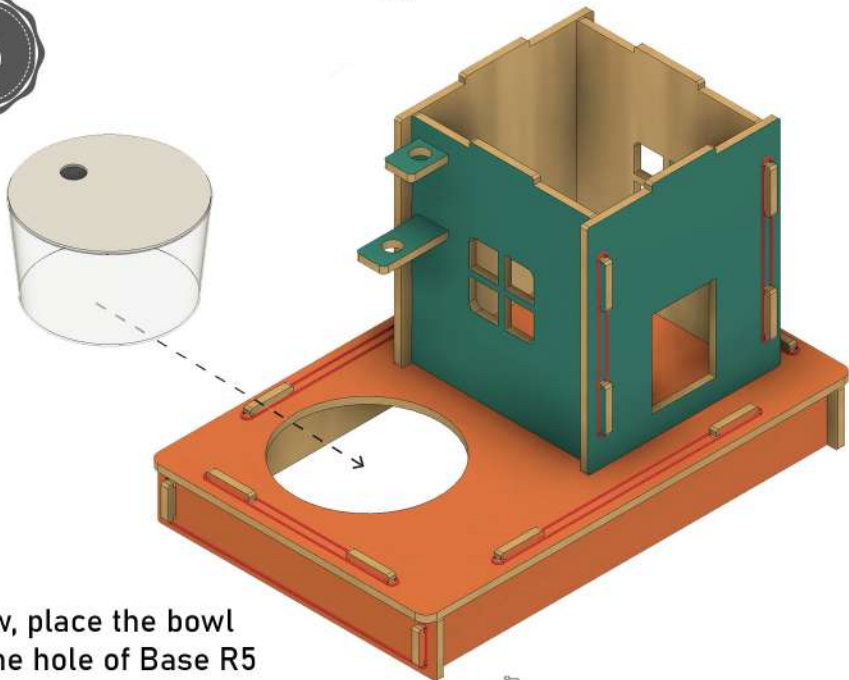




15

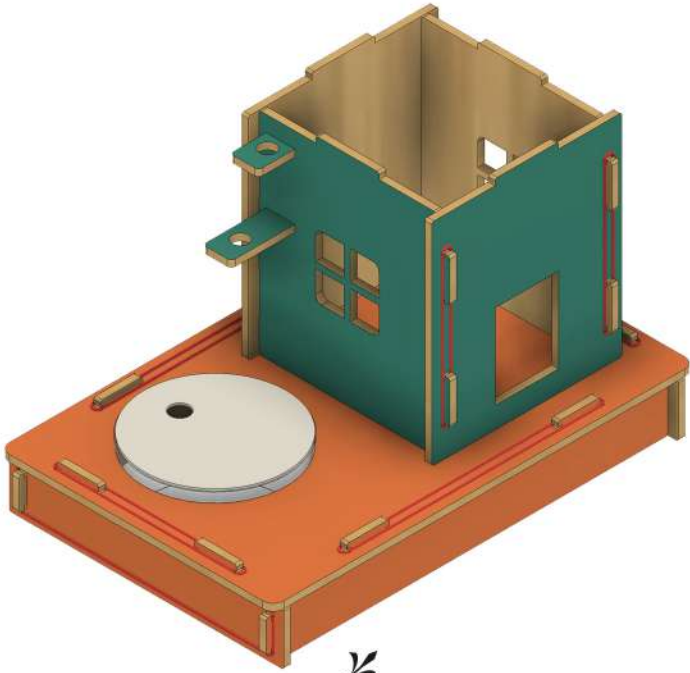


16

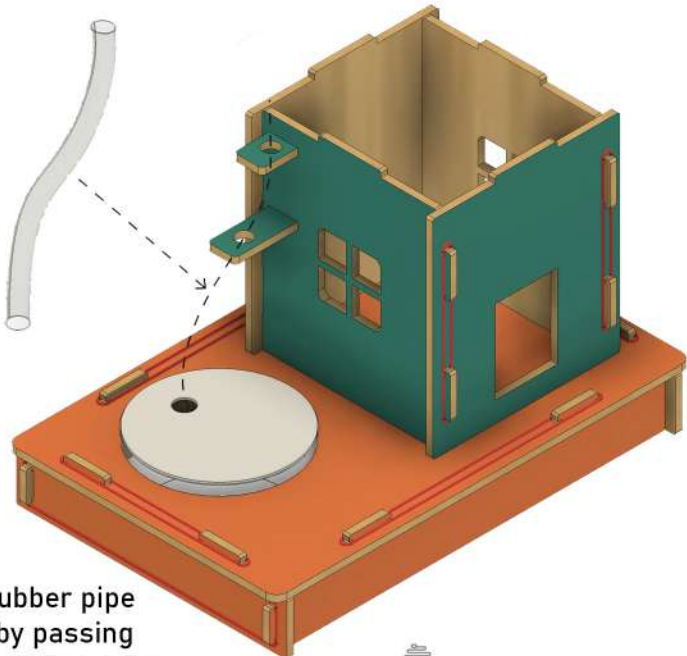


Now, place the bowl  
on the hole of Base R5

17

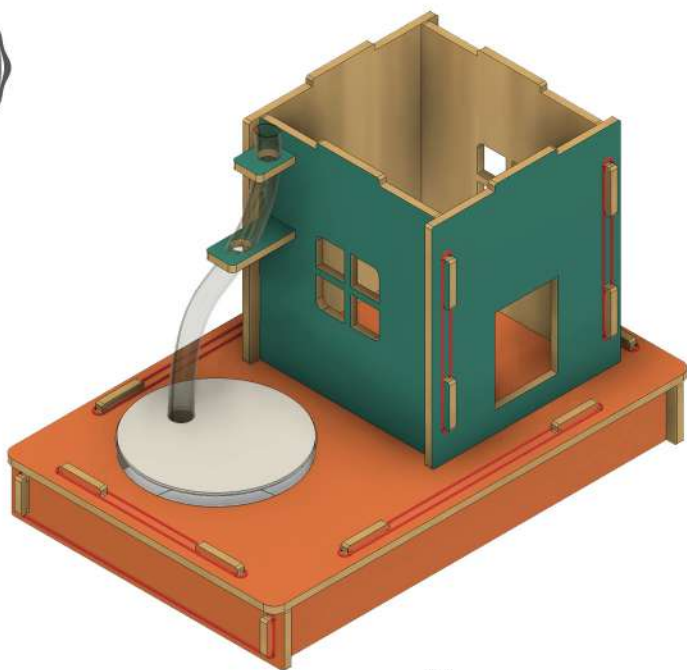


18



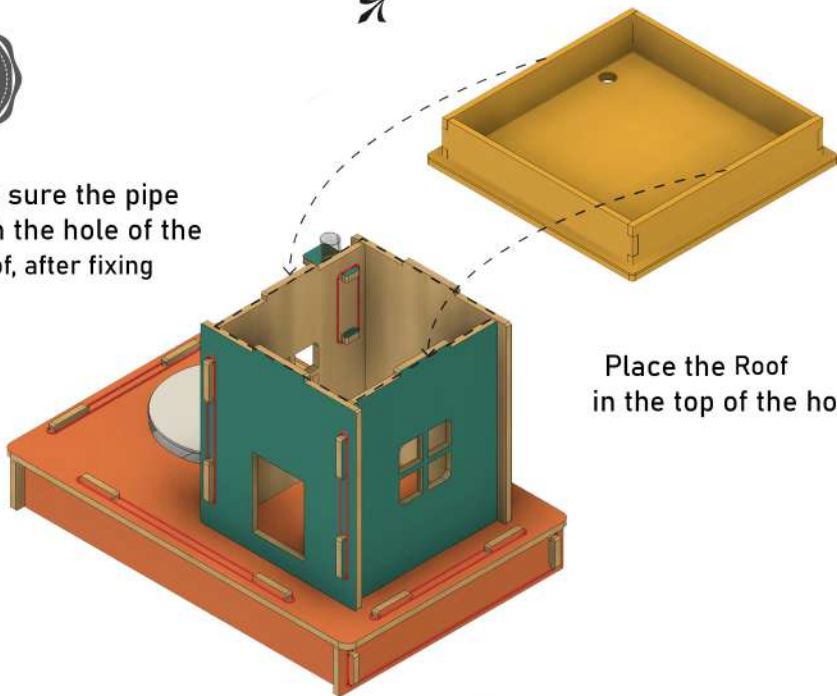
Place the Rubber pipe  
to the bowl by passing  
through holes of R10 & R11

19



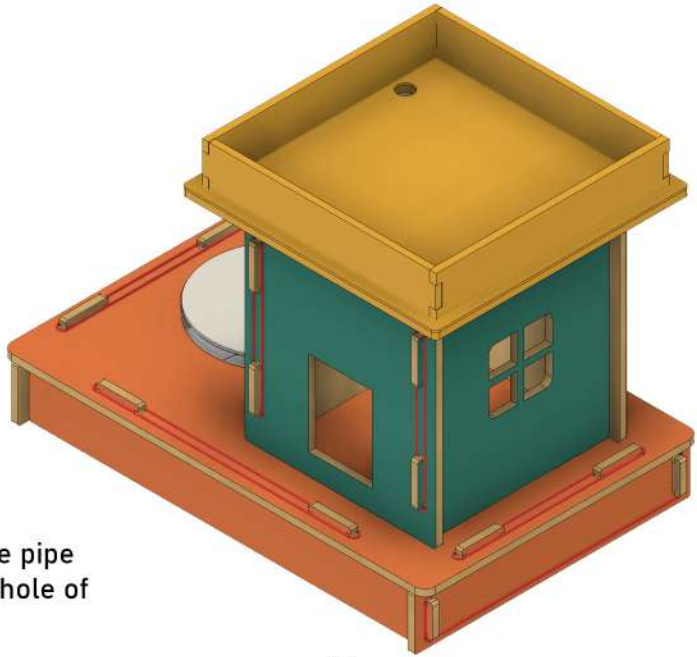
20

Make sure the pipe fits with the hole of the Roof, after fixing



Place the Roof in the top of the house

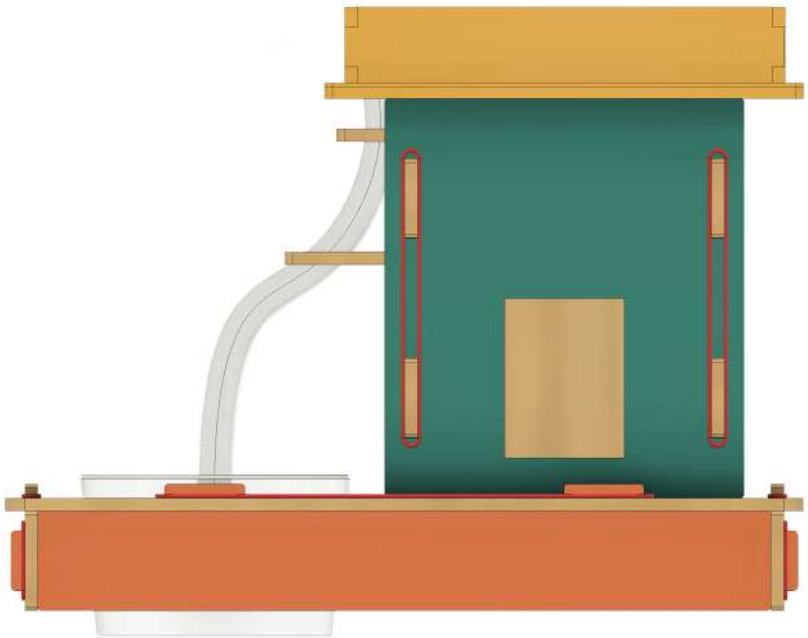
21



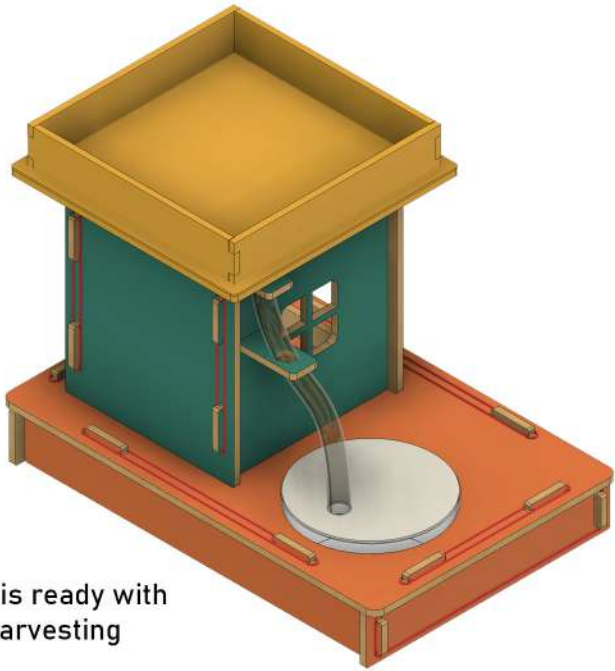
Check if the pipe fits with the hole of the roof



22



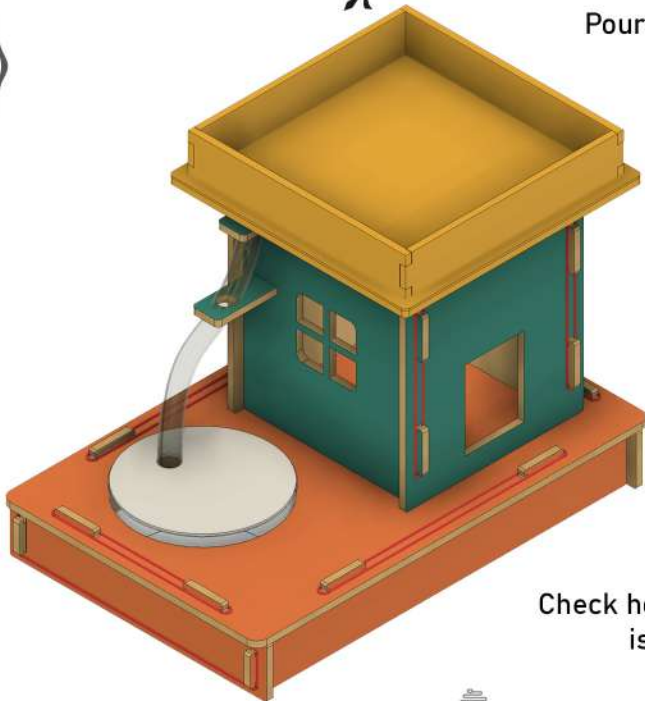
23



Now, the house is ready with  
rain water harvesting



24



Pour water on the roof

Check how the rain water  
is harvested



# Rain Water Harvesting

## AIM

To understand the importance of Rain water harvesting

## INTRODUCTION

We all love to see rain and play in it. Where does this rain water go? Is it being saved or wasted?

## PROCEDURE

- Build the model as per building instructions
- Pour some water on the top of Acrylic set.
- What happens? Where does the water go?
- Can we do the same process for our home?
- Will it be helpful?



## THEORY

Rainwater harvesting is the simple process or technology used to conserve Rainwater by collecting, storing, conveying and purifying of Rainwater that runs off from rooftops, parks, roads, open grounds, etc. for later use.

## Why do we Harvest Rainwater?

The rainwater harvesting system is one of the best methods practised and followed to support the conservation of water. Today, scarcity of good quality water has become a significant cause of concern. However, Rainwater, which is pure and of good quality, can be used for irrigation, washing, cleaning, bathing, cooking and also for other livestock requirements.

