



DERO
A PLAYCORE Company



Ultra Space Saver Single

When you can't park your bike horizontally, on the floor or on the ceiling. The Ultra Space Saver Single is your parking solution. A smaller version of our Space Saver Modular System, the Single parks your bike vertically and mounts onto nearly any wall type (except metal studs). U-lock capabilities make this rack great for property managers as well for home storage use. Quick installation only requires 4 anchors drilled into the wall. Save room today with the Ultra Space Saver Single, or check out the whole modular system if you need to park many bikes.

Ultra Space Saver Single



- U-lock compatible
- Convert dead space and awkward corners to bike parking
- Rubber coated hook prevents scratching bikes
- Easy installation



Tamper-resistant fasteners available upon request

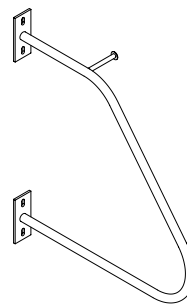
FINISH OPTIONS

Powder Coat

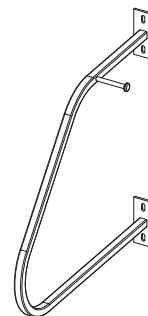
White	Black	Deep Red RAL 3003	Yellow RAL 1023
CNH Bright Yellow	Orange RAL 2004	Beige RAL 1001	Hunter Green RAL 6005
Light Green RAL 6018	Green RAL 6016	Sky Blue RAL 5015	Blue RAL 5005
Dark Purple	Flat Black	Wine Red RAL 3005	Iron Gray RAL 7011
Light Gray RAL 7042	Silver RAL 9007	Sepia Brown RAL 8014	Bronze

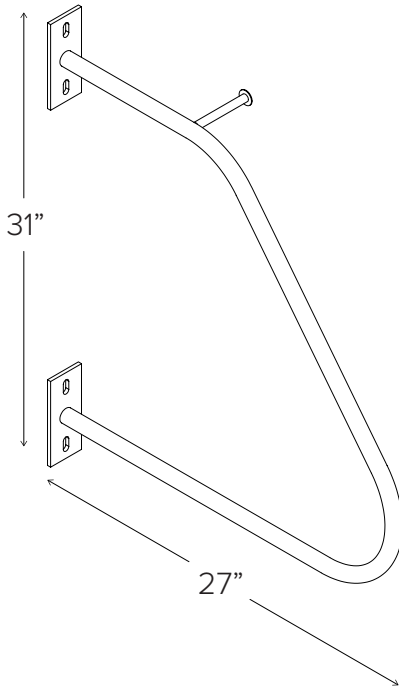
TUBE OPTIONS

Round



Square





CAPACITY 1 Bike

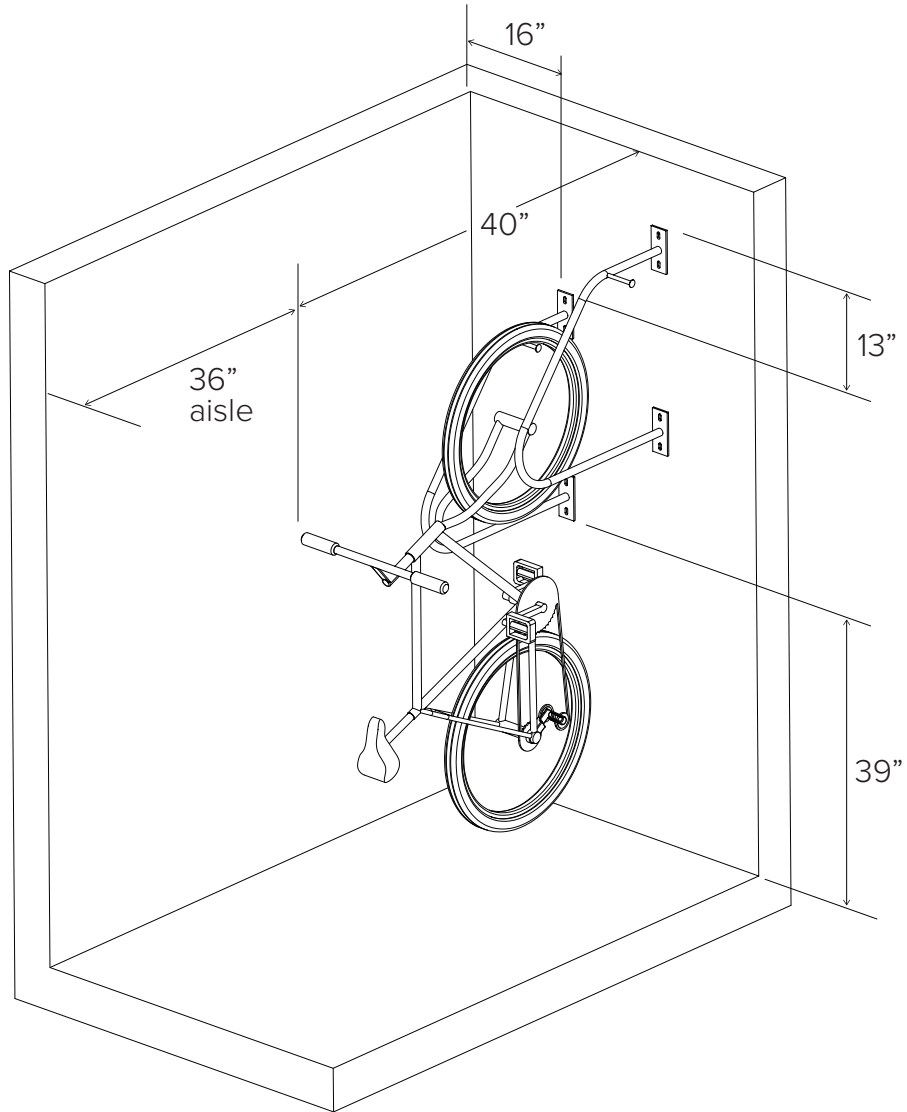
MATERIALS **Body:** 1" OD 11 gauge tube with 1/2" steel round bar hanger
Mounting flanges: 1/4" plate

- FINISHES**
- Powder Coat (Interior Use)**
 Our interior powder coat finish assures a high level of adhesion and durability for indoor use by following these steps:
 1. Sandblast
 2. Final thick TGIC polyester powder coat

 - Powder Coat (Exterior Use) Additional Cost**
 Our exterior powder coat finish assures a high level of adhesion and durability for outdoor or exposed air use by following these steps:
 1. Sandblast
 2. Epoxy primer electrostatically applied
 3. Final thick TGIC polyester powder coat
-

MOUNT OPTIONS **Wall only**
 Wall mount has two 2.5" x 6" foot plates set 25" apart (centerline to centerline) with 4 fasteners. Can be set into concrete block, solid concrete, bricks, wood studs and other base materials. Tamper-resistant fasteners available upon request.

- TUBE OPTIONS**
- Round**
 - Square**



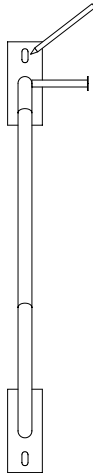
* Not recommended for placement between vehicle parking stalls



TOOLS NEEDED

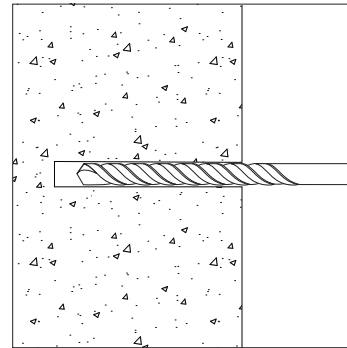
9/16" socket or wrench
 Hammer
 Drill (Hammer drill works best)
 Level
 Marker or Pencil

1



Place rack against wall. Mark holes and lower rack.

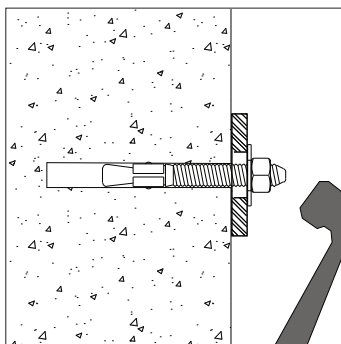
2



Sleeve anchors: Drill holes 2" deep with 1/2" diameter drill bit.
Wedge anchors: Drill holes 3" deep with 3/8" diameter drill bit.
Lag screws: Drill holes 3" deep with 9/32" diameter drill bit.
Titen anchor: Drill holes 3" deep with 3/8" diameter drill bit.
Concrete spikes: Drill holes 3" deep with 3/8" diameter drill bit.

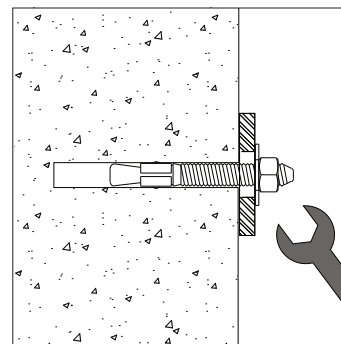
If installing more than one rack, mark holes for each rack individually as there may be slight differences in the placement of holes from rack to rack.

3



Place rack back into position against wall and tap anchors through holes in the rack and into the wall.

4



Tighten anchors.