



DERO
A PLAYCORE Company



U-Lockit™

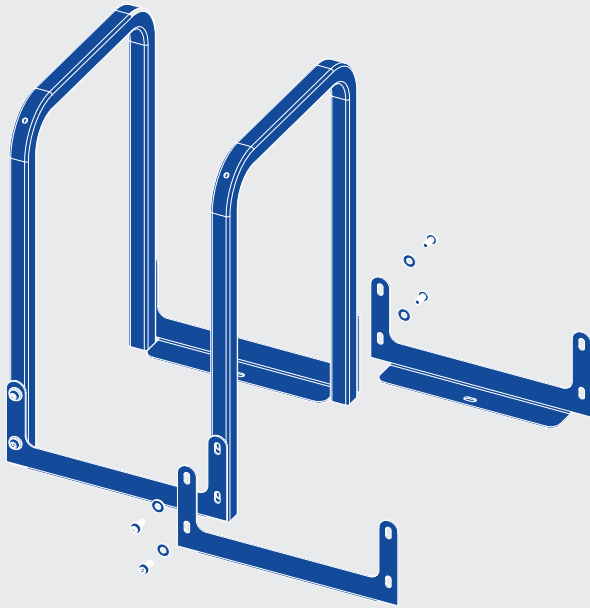
Bicyclists hate old-style “wheel bender” bike racks, the ones where you wedge your wheel between the bars and can’t use a U-lock. We hate them, too! That’s why we made the U-Lockit™ — a small, modular, affordable rack that actually does what bike racks are supposed to do: secure your bike with any lock. Perfect for smaller applications and short-term parking at schools, churches, and small businesses.

Patent 9,592,868 B2

©2021

ADD ON AS NEEDED

Individual U-Lockit™ arms bolt together so you can order just the amount you need, and it's easy to add more later.



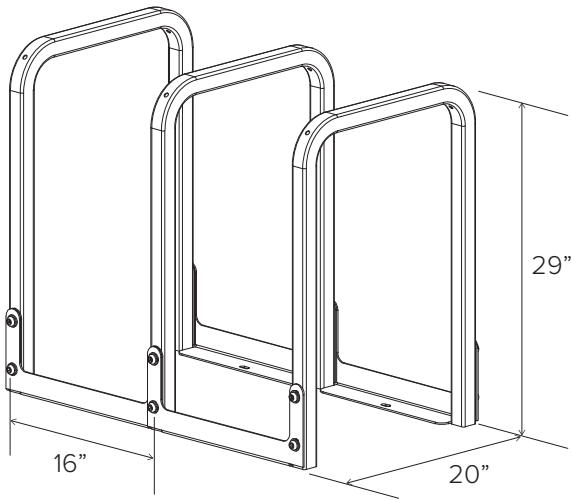
FINISH OPTIONS

Galvanized



Powder Coat

 White	 Black	 Light Gray RAL 7042	 Deep Red RAL 3003	 Yellow RAL 1023
 CNH Bright Yellow	 Orange RAL 2004	 Beige RAL 1001	 Iron Gray RAL 7011	 Hunter Green RAL 6005
 Light Green RAL 6018	 Green RAL 6016	 Sepia Brown RAL 8014	 Blue RAL 5005	 Sky Blue RAL 5015
 Dark Purple	 Flat Black	 Wine Red RAL 3005	 Bronze	 Silver RAL 9007



CAPACITY 2 Bikes per hoop
3 hoop minimum for stability

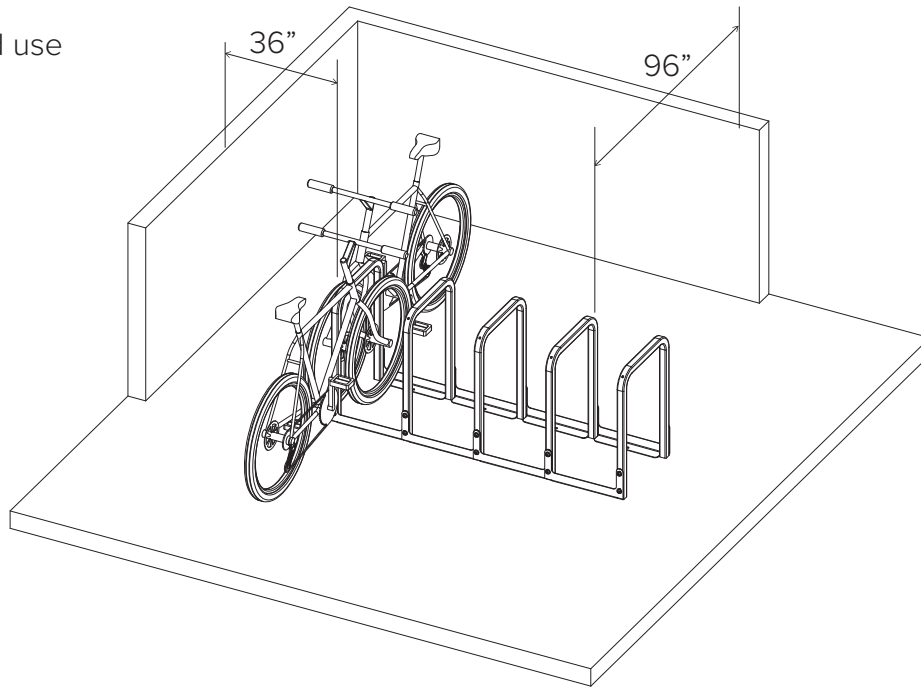
MATERIALS **Hoop:** 1.5" 11g sq. tube
Connectors: 11g plate

FINISHES

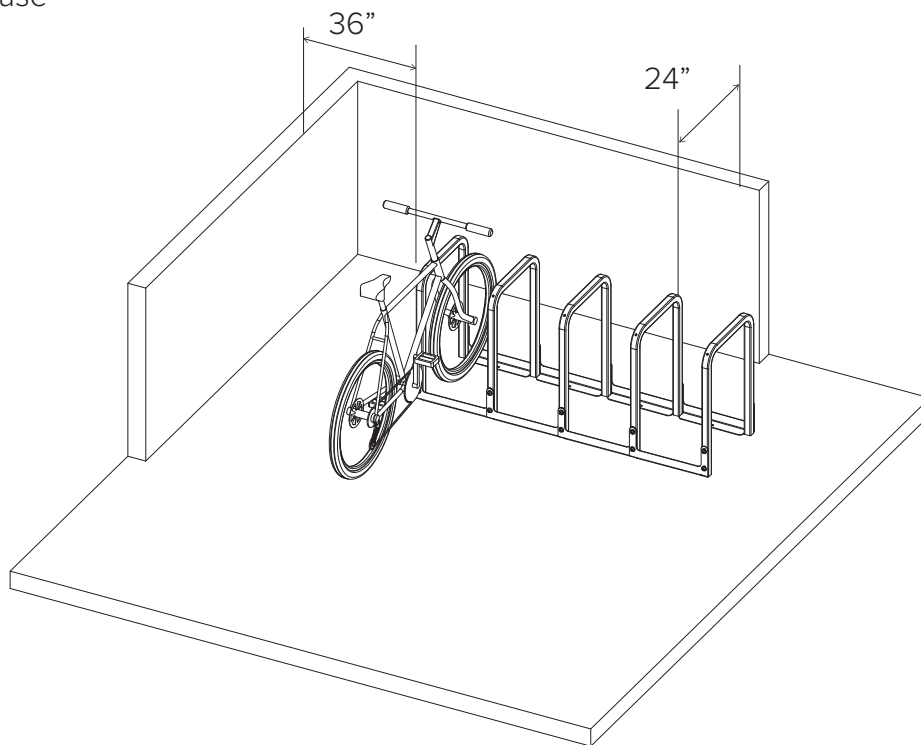
- Galvanized**
An after fabrication hot dipped galvanized finish is our standard option. Pre-fabrication galvanizing is standard on panel components.
- Powder Coat**
Our powder coat finish assures a high level of adhesion and durability by following these steps:
 1. Sandblast
 2. Epoxy primer electrostatically applied
 3. Final thick TGIC polyester powder coat

MOUNT OPTIONS **Surface only**
All connections and mounting parts have pre-threaded mounting holes (except the feet). No drilling or tapping required. Dero recommends anchoring the U-Lockit to the installation surface.

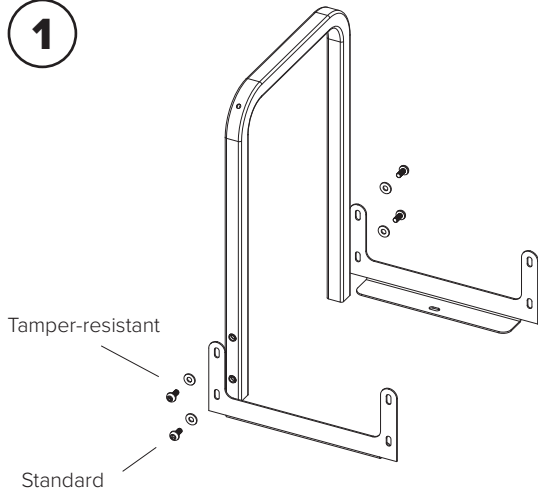
Double sided use



Single sided use

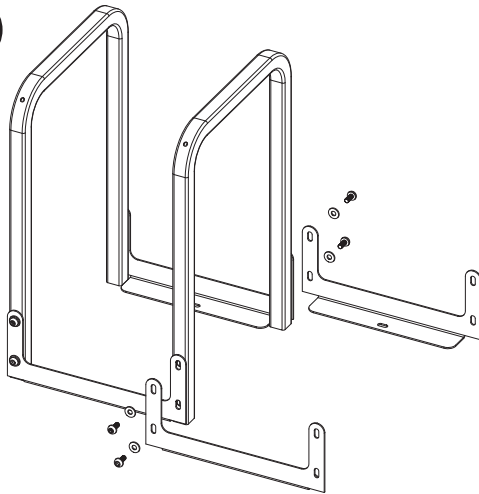


1



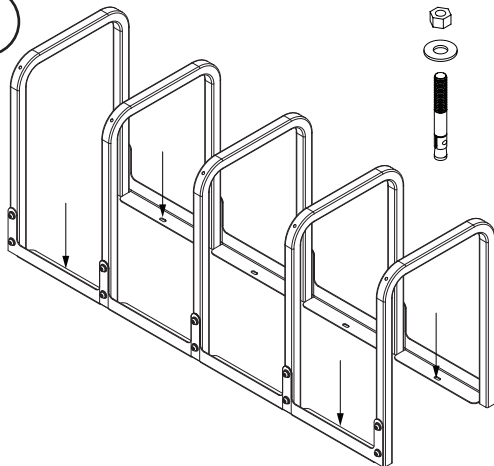
Place the rack in the desired location. Use a marker or pencil to outline the holes of the flange onto the base material.

2



Attach the next hoop and (2) plates with (2) 3/8" x 1" tamper-resistant bolts, (2) 3/8" x 1" bolts, and (4) washers. Continue attaching hoops and plates as needed.

3



When assembly is completed, position the assembly and anchor to the ground through the slotted holes in the plates on each end of the run of racks. For longer runs you may also need to add anchors to a middle section.