



DERO
A PLAYCORE Company



Two Tier Bike Locker

We take long-term bicycle storage to new heights with the new Dero Two-Tier Bike Locker. Lift-assist upper trays make for easy loading into this space-saving, secure bike parking locker.

This two-tier locker ships flat to save on freight, comes in galvanized and powder coat finish options, and has a modular design.

Two Tier Bike Locker



- Includes upper Dero Decker lift-assist tray
- Key option or u-lock/padlock bracket
- Leveling feet
- Modular design
- Door closers included
- Gear hook included for lower unit
- Panels and door are galvanized under powder coat



FINISH OPTIONS

Galvanized

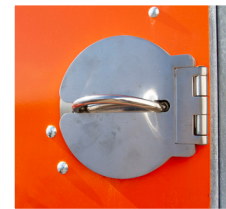


Powder Coat

White	Black	Light Gray RAL 7042	Deep Red RAL 3003
Orange RAL 2004	Beige RAL 1001	Iron Gray RAL 7011	Hunter Green RAL 6005
Light Green RAL 6018	Green RAL 6016	Blue RAL 5005	Sky Blue RAL 5015
Sepia Brown RAL 8014	Dark Purple	Wine Red RAL 3005	Bronze

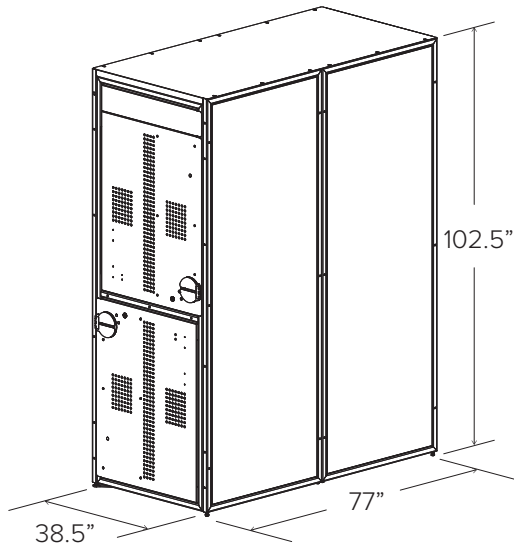
LOCKING OPTIONS

U-lock/Padlock Handle



Keyed Lock





CAPACITY 2 Bikes

MATERIALS
Frame: 1.5" x 14g square tube
Sides: 18g plate
Doors: 16g plate
Top: 18g plate

FINISHES

Galvanized
 An after fabrication hot dipped galvanized finish is our standard option. Pre-fabrication galvanizing is standard on panel components.

Powder Coat
 Our powder coat finish assures a high level of adhesion and durability by following these steps:
 1. Sandblast
 2. Epoxy primer electrostatically applied
 3. Final thick TGIC polyester powder coat

LOAD DATA 40 psf snow, 90 mph wind exposure B, high seismic

SETBACKS Allow a 60" clearance from door face.

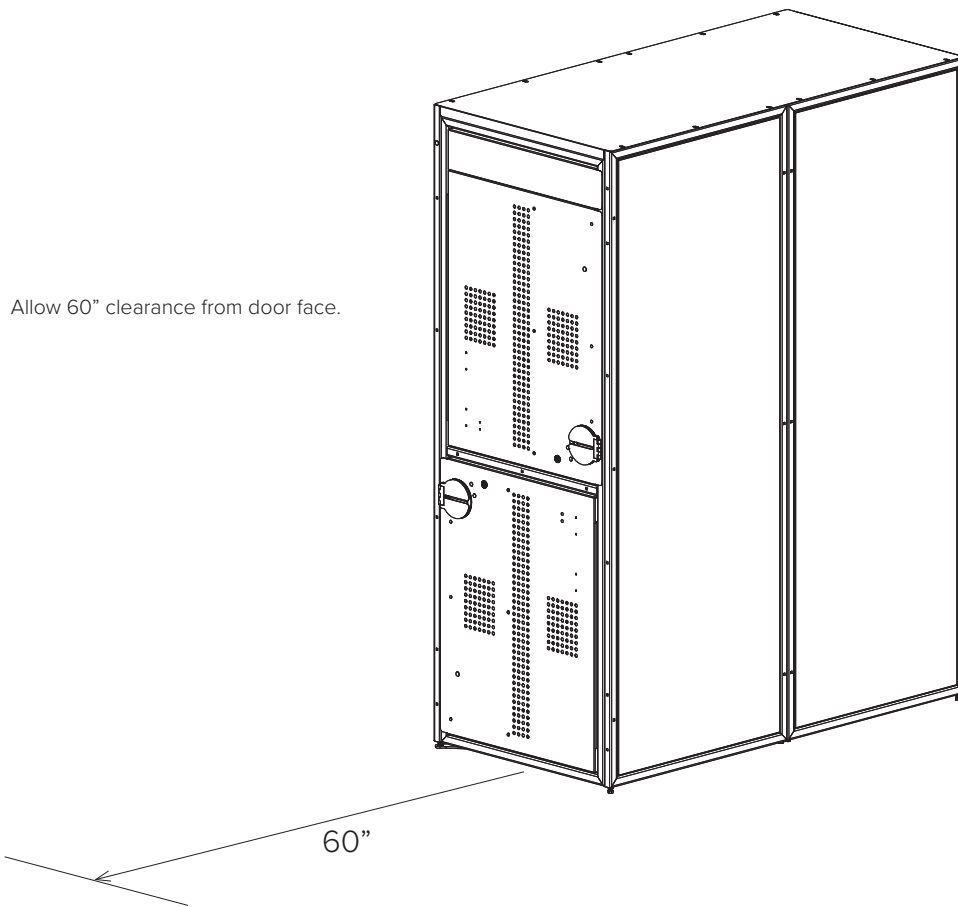
STANDARD

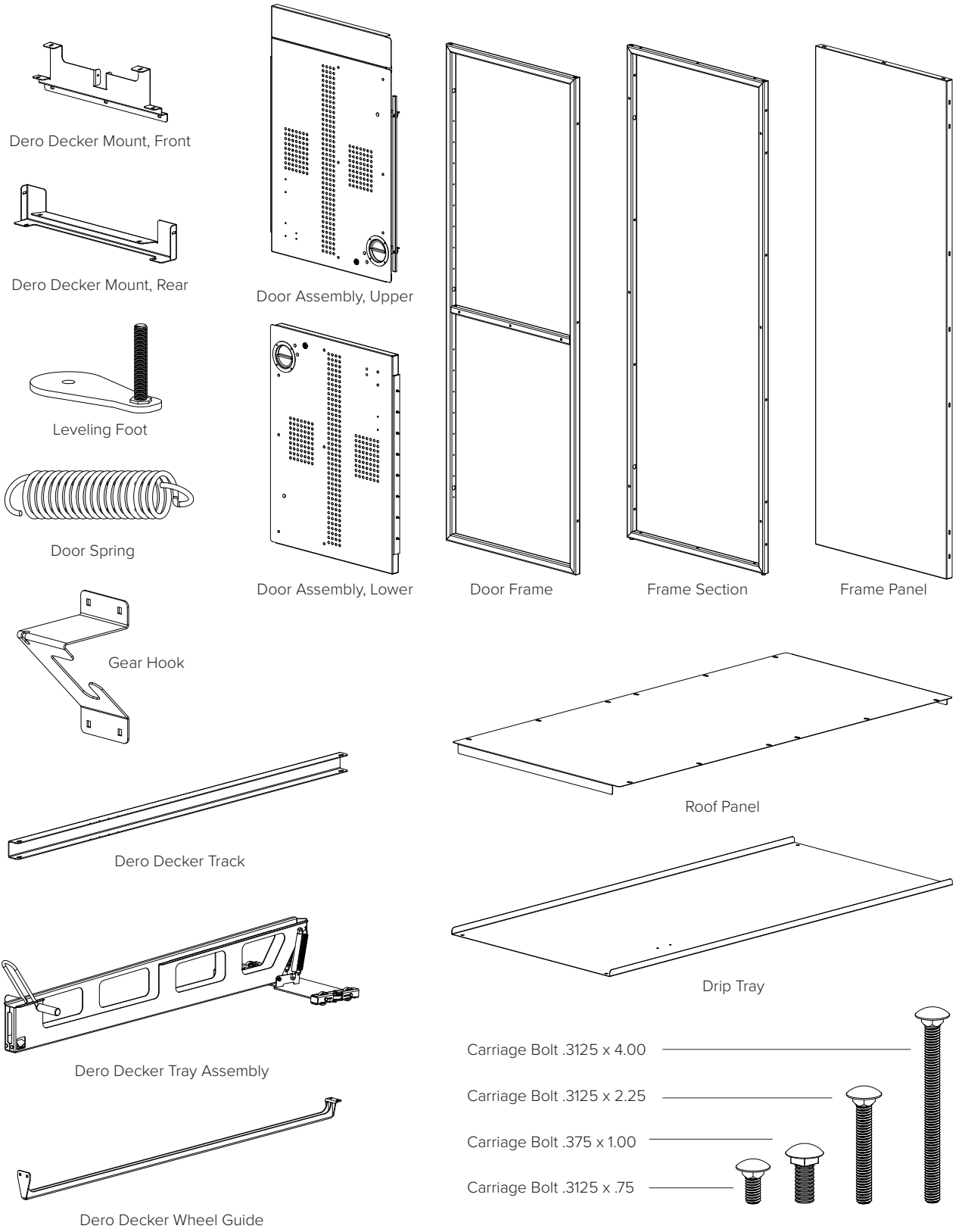
- Leveling feet
- Ventilating window on doors
- Graffiti resistant
- UV resistant
- Numbered plates
- Gear hook (lower level only)
- Door closer (both levels)

LOCKING SYSTEM

Keyed Lock Only

Padlock/U-Lock Handle







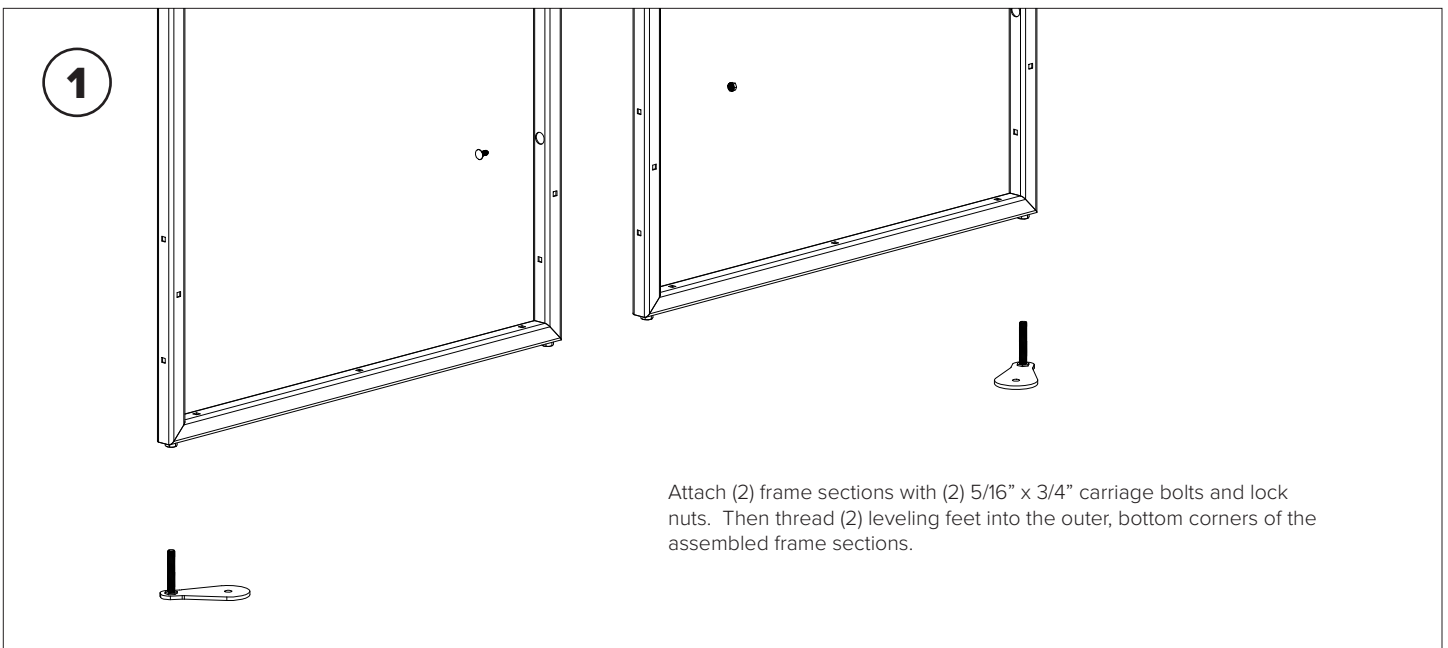
TOOLS NEEDED

Hammer drill with 3/8" masonry bit
 Hammer
 Bubble level
 Tape measure
 3/8", 7/16", 1/2", 9/16" wrenches
 Socket wrench
 3/8", 7/16", 1/2", 9/16" sockets
 Socket extension
 Power drill
 #3 Philips screw driver bit

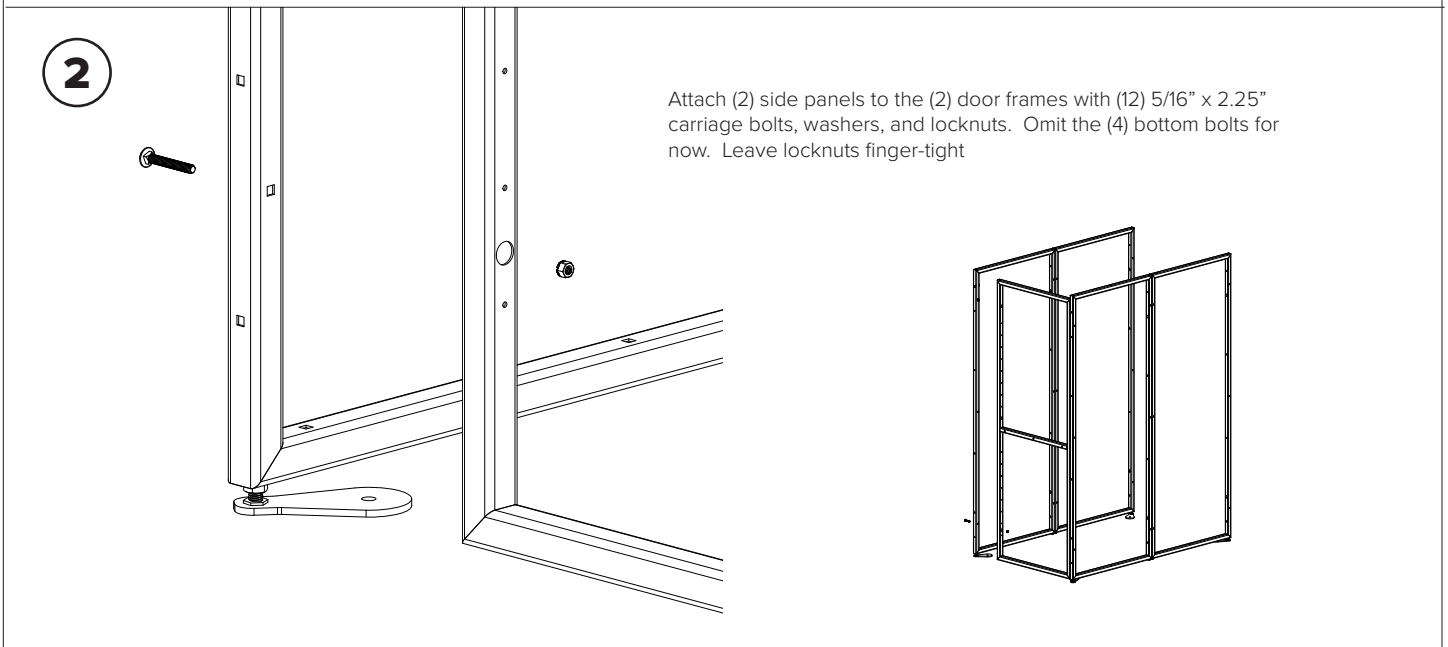
RECOMMENDED BASE MATERIAL

Solid concrete is the best base material for installation. To ensure the proper anchors are shipped with your rack, ask your Dero representative which anchor is appropriate for your application. Be sure nothing is underneath the base material that could be damaged by drilling.

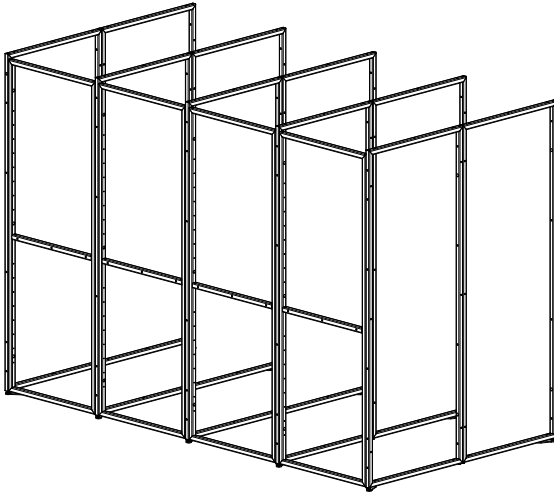
Notify Dero sales department of any ground slope.



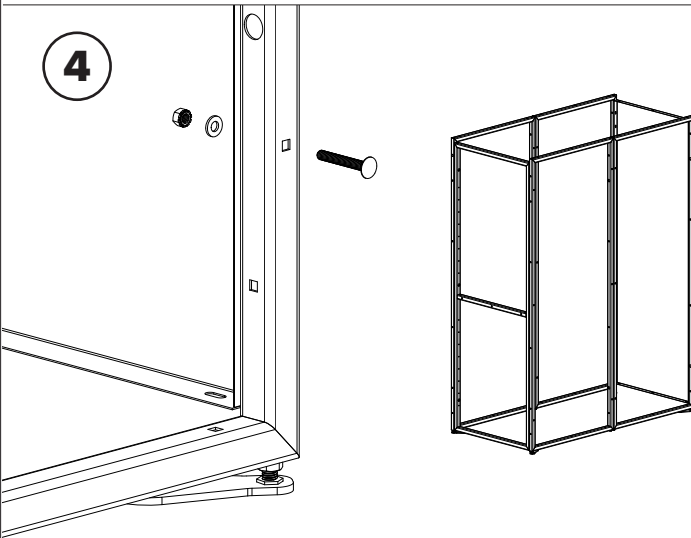
Attach (2) frame sections with (2) 5/16" x 3/4" carriage bolts and lock nuts. Then thread (2) leveling feet into the outer, bottom corners of the assembled frame sections.



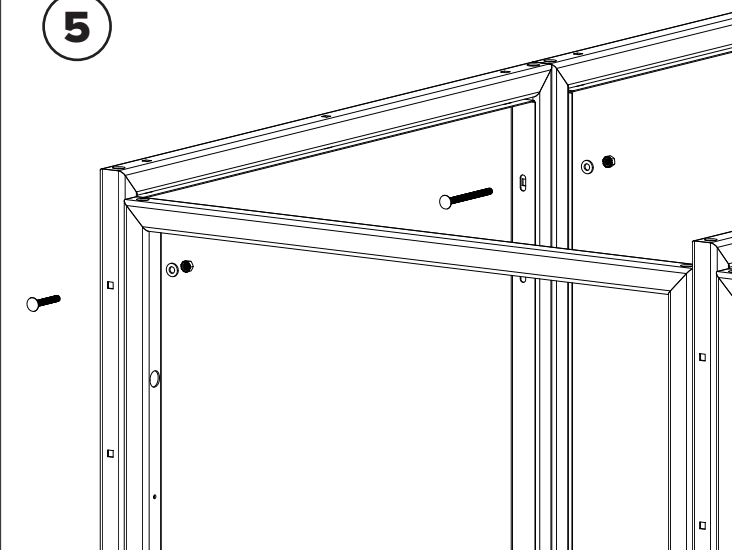
Attach (2) side panels to the (2) door frames with (12) 5/16" x 2.25" carriage bolts, washers, and locknuts. Omit the (4) bottom bolts for now. Leave locknuts finger-tight

3

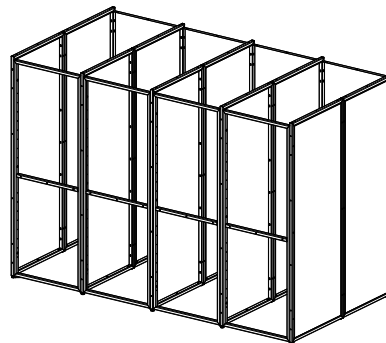
If a modular row of lockers is being assembled, continue attaching frame assemblies and door frames. Level the assembly with the leveling feet and secure them to the ground with 3/8" diameter anchors.

4

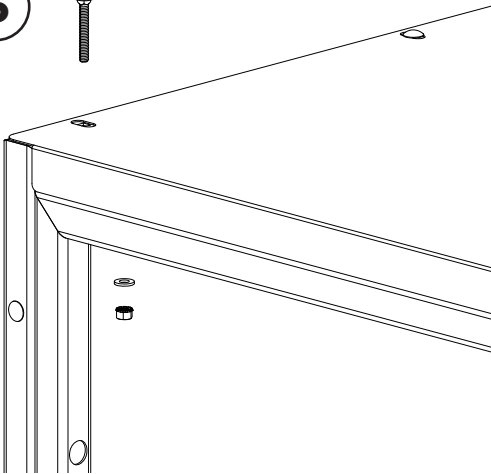
Attach (1) frame panel to the rear position in frame assembly with (4) 5/16" x 2.25" carriage bolts, washers, and lock nuts. Note the center bolt position will be left open for now. Continue adding rear frame panels if assembling a modular row.

5

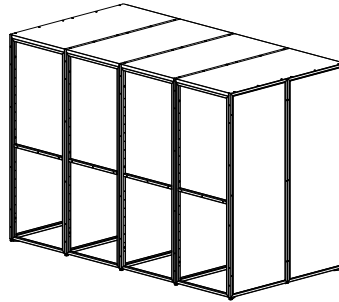
Attach the frame panels to the side positions in frame assembly with (4) 5/16" x 2.25" and (4) 5/16" x 4" carriage bolts, washers, and lock nuts. Continue adding side frame panels if assembling a modular row. The (3) bolt holes at the bottom of the panels are not used. The (3) bolt holes at the top of the panels will be used later.



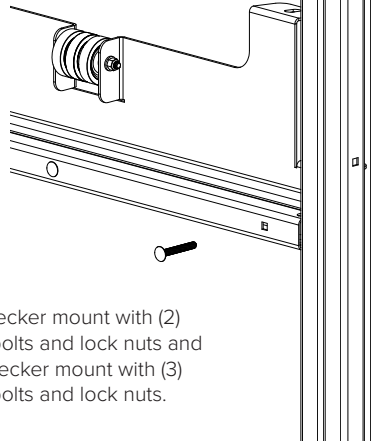
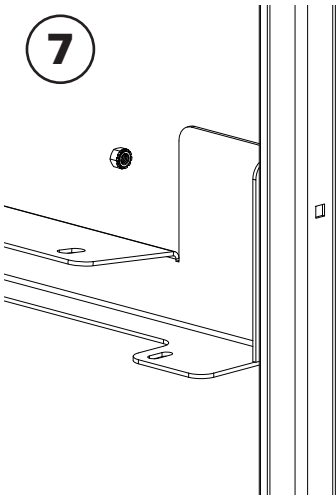
6



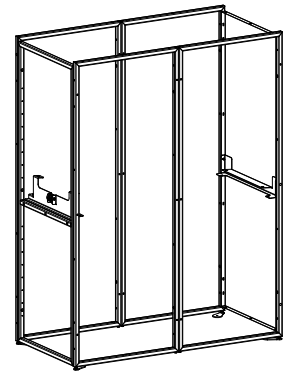
Attach the roof panels with (12) 5/16" x 2.25" carriage bolts, washers, and lock nuts. Continue adding roof panels if assembling a modular row.



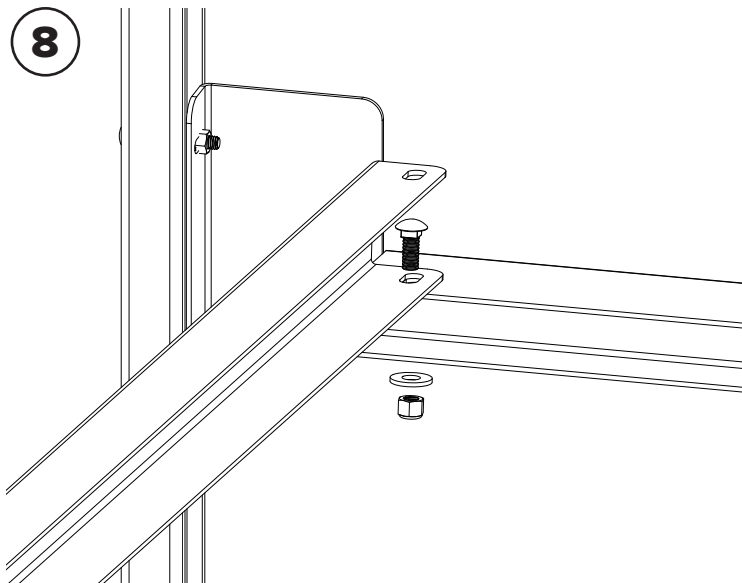
7



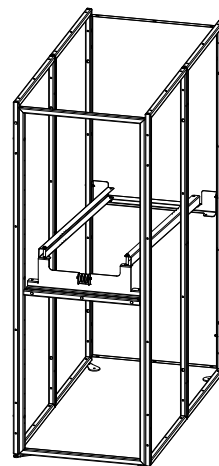
Attach the rear Dero Decker mount with (2) 5/16" x 2.25" carriage bolts and lock nuts and attach the front Dero Decker mount with (3) 5/16" x 2.25" carriage bolts and lock nuts.



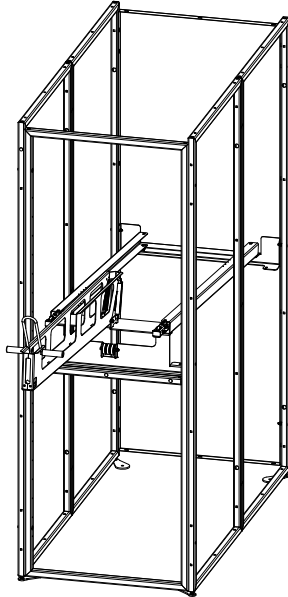
8



Attach the (2) Dero Decker tracks with (1) 3/8" x 1" carriage bolt, washer, and lock nut in the rear. Note the small holes in the tracks should be oriented towards the front of the locker.

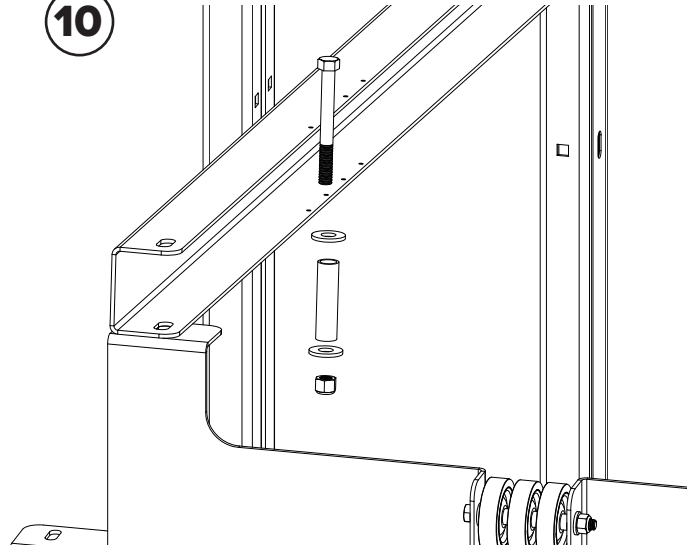


9



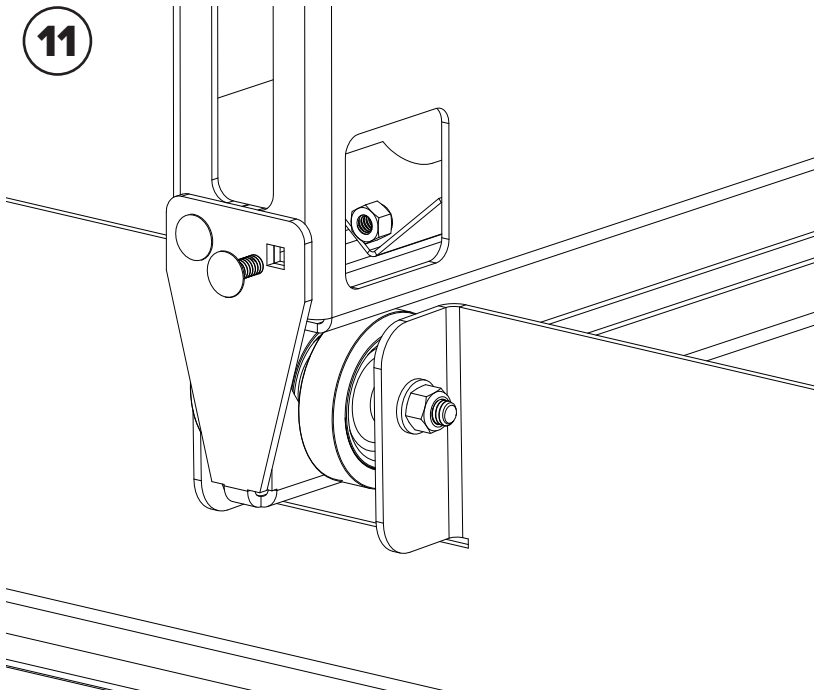
Insert the Dero Decker tray assembly into the tracks.

10

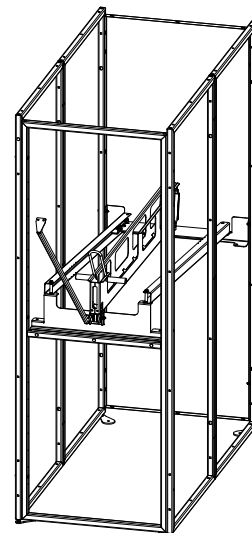


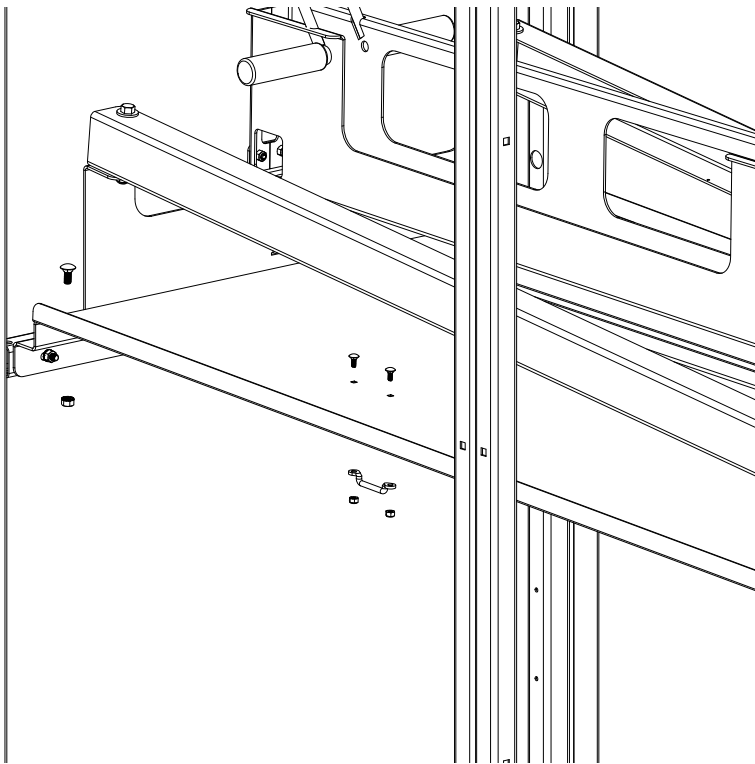
Secure the front of the (2) Dero Decker tracks with (1) 3/8" x 3.5" hex bolt, washers, and lock nut.

11

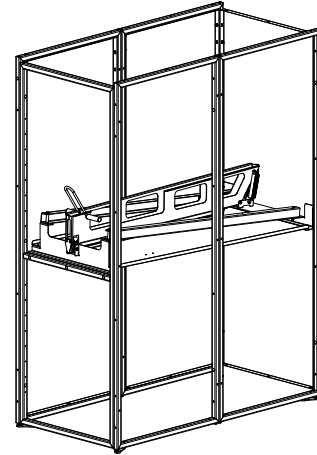
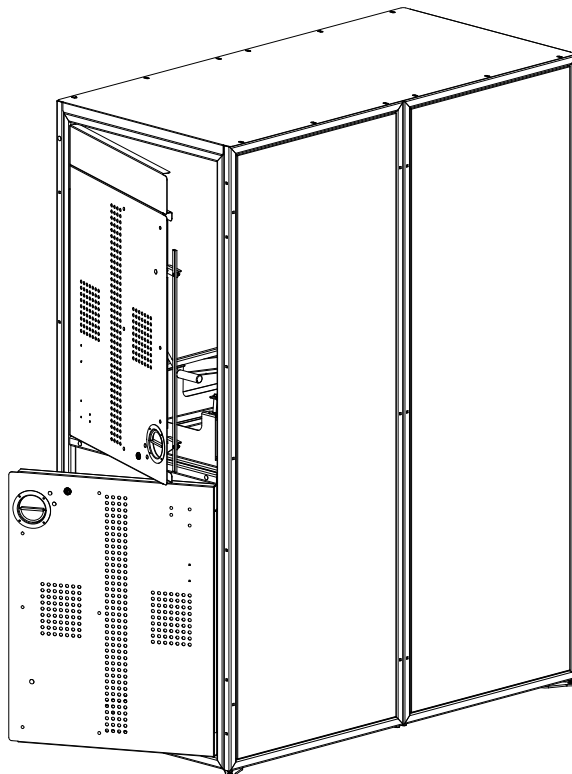


Feed the wheel guide under the center wheel and attach to the tray with (4) 1/4" x 5/8" carriage bolts and lock nuts.



12

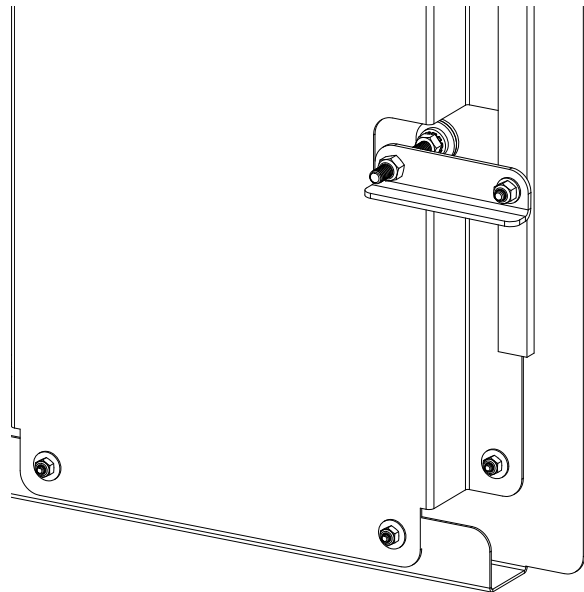
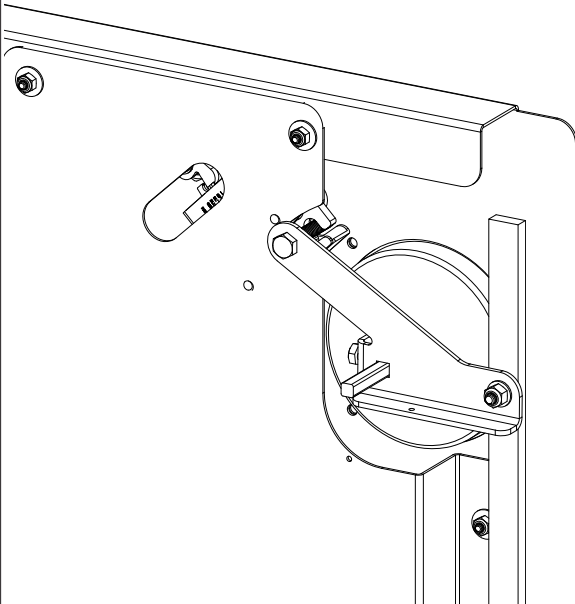
Attach the drip tray with (4) 5/16" x 3/4" carriage bolts and lock nuts. Note that the small holes in the drip tray are oriented towards the front of the locker. Attach the spring mount with (2) #10 x 1/2" carriage bolts and locknuts.

**13**

Attach the lower and upper doors with (8) #12 x 3/4" self-drilling screws. Pilot holes are present but may be partially filled with zinc. Note the upper door has an extra top panel.

14

The gap between the door and latch bar may need to be adjusted to properly engage the door frame. This can be done via the 1/4" bolt that tightens against the handle spindle and the 5/16" nuts at the other pivot point.



15

If any twist needs to be taken out of the door, loosen the (10) #10 locknuts, set the door, and re-tighten.

16

To install door closers, attach the springs to the door spring mounts and the Dero Decker track for the upper door, and the spring mount below the drip tray for the lower door. Gear hook may be installed on lower doors.

