



DERO
A PLAYCORE Company



Track Rack

Many organizations, such as police departments and universities need to store hundreds of abandoned or stolen bikes as efficiently as possible. The Track Rack's unique staggered, sliding hook design creates the greatest parking efficiency while still providing easy access to any particular bike. When adding or removing a bike, simply push the surrounding bikes out of the way. Need to add on? No problem. Just order more sections.

Not a lockable rack

Track Rack



- Hangers slide apart to allow access to bikes
- Holds 13 bikes per 8 foot section
- Modular system allows expansion
- **Not lockable**

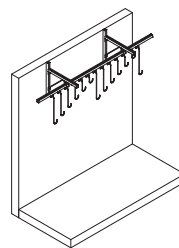
FINISH OPTIONS

Galvanized

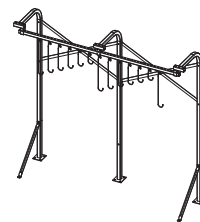


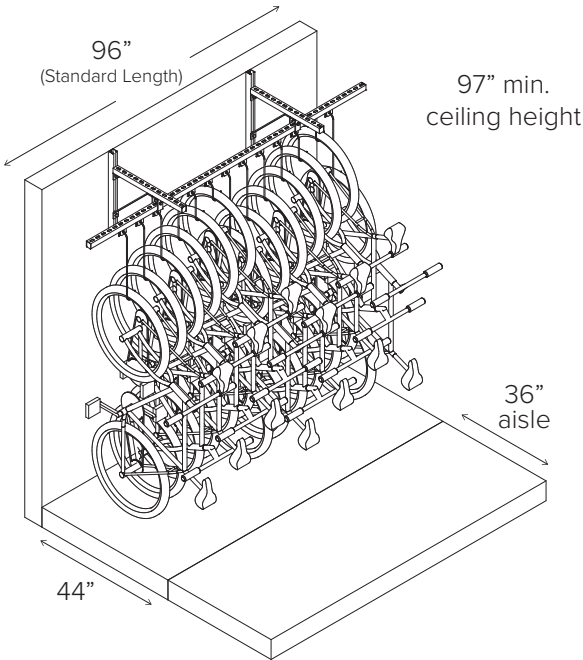
MOUNT OPTIONS

Wall



Floor





CAPACITY

Capacity of the Track Rack will vary by lengths ordered. At maximum capacity, bikes will be parked 8" apart. Each 8 foot length will accommodate 13 bikes.

MATERIALS

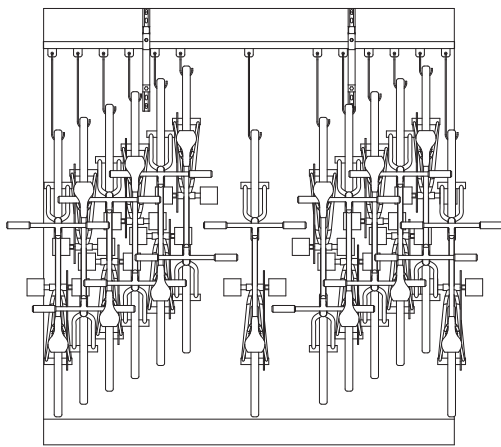
12 gauge galvanized steel
Stainless steel trolley assembly
1/4" zinc-plated steel hooks

FINISHES

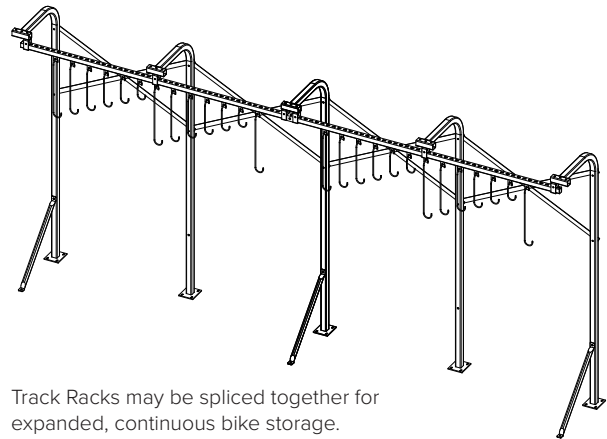
Galvanized
An after fabrication hot dipped galvanized finish is our standard option.

MOUNT OPTIONS

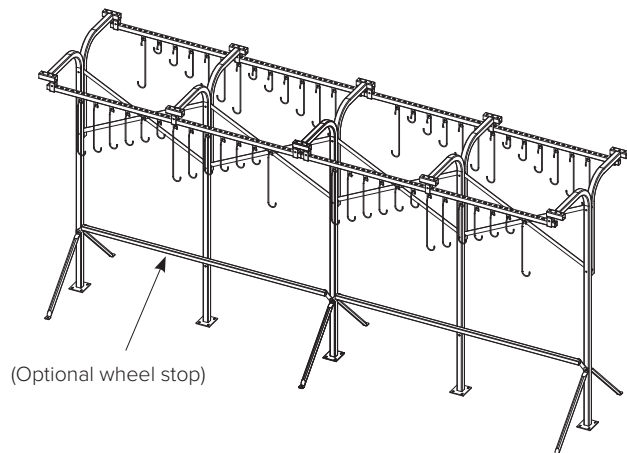
- Wall mount
- Floor Mount



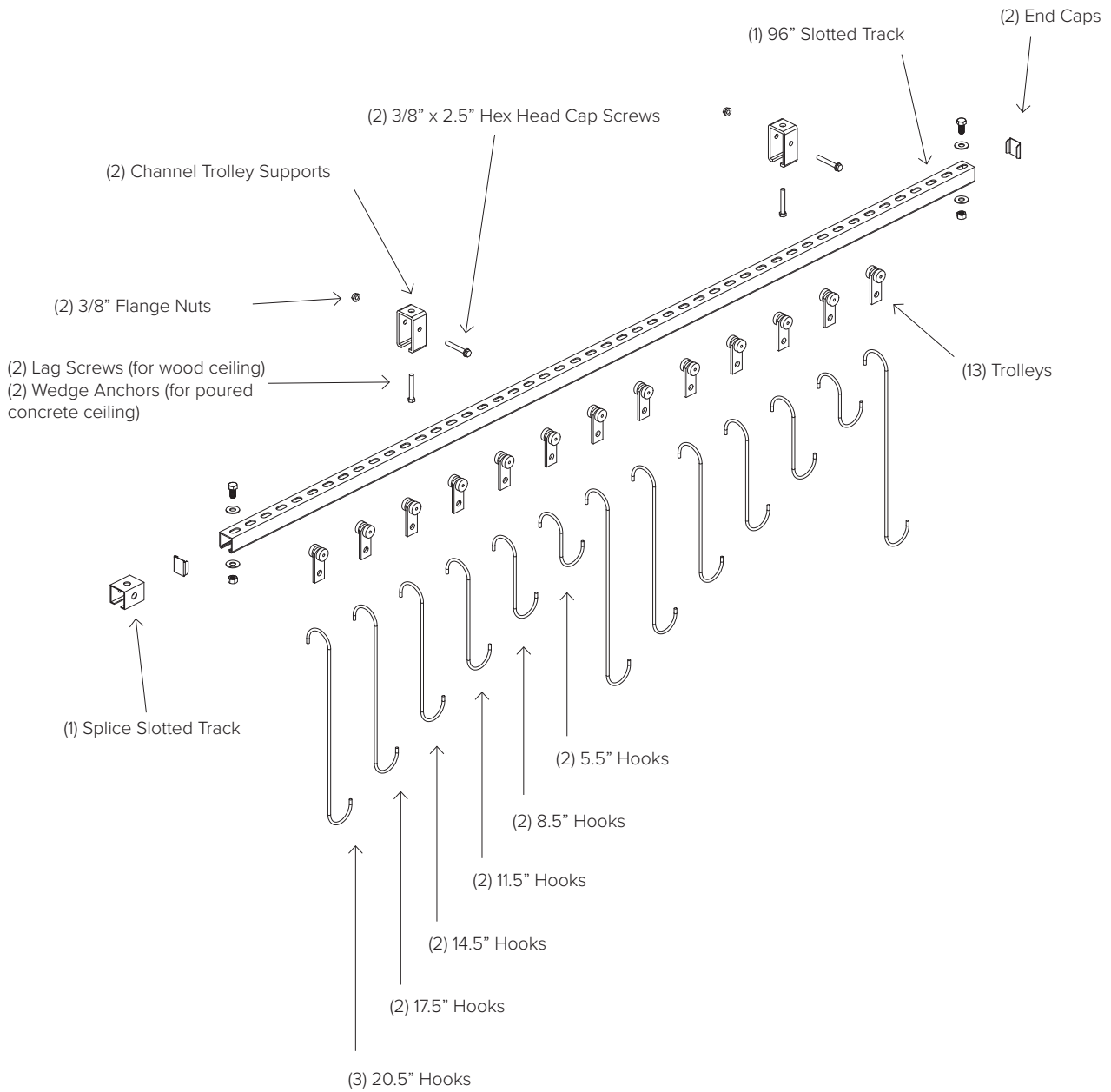
Trolleys allow you to push neighboring bikes apart when hanging or removing a bike



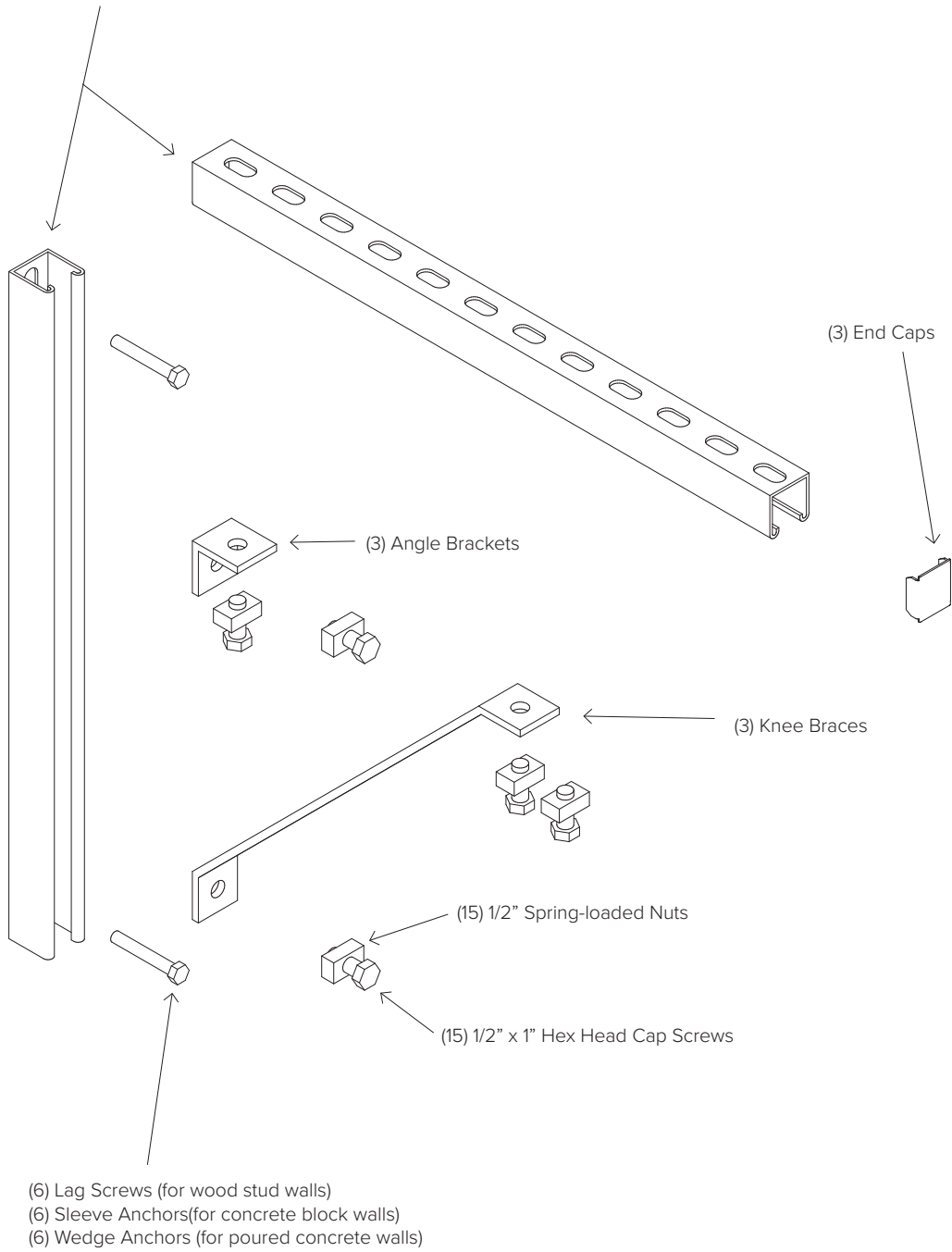
Track Racks may be spliced together for expanded, continuous bike storage.



A double-sided option is available



(6) 24" Slotted Tracks

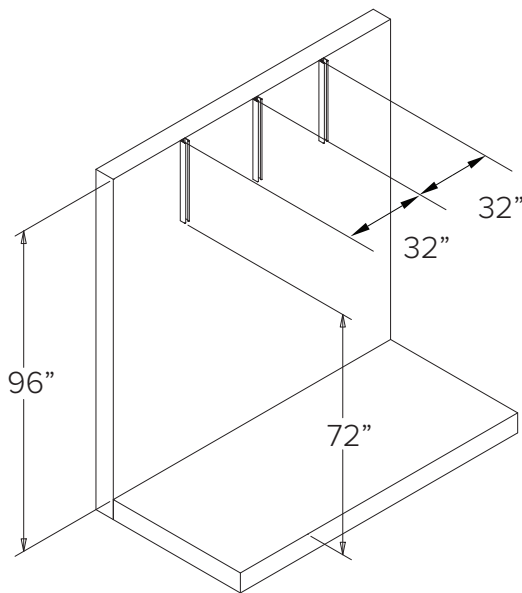



TOOLS NEEDED

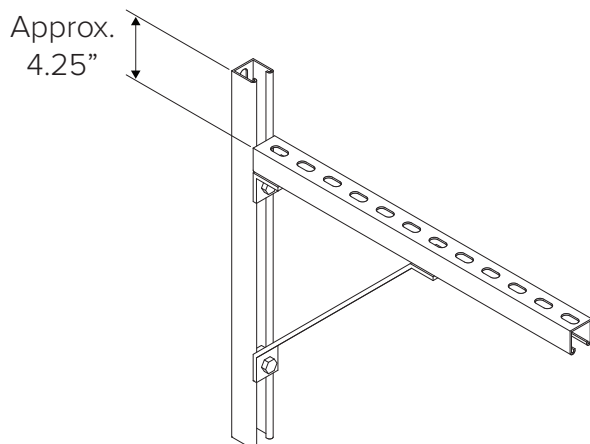
9/16" Wrench/Socket
 3/4" Wrench/Socket
 1/4" Drill Bit or 3/8" Masonry Drill Bit
 (depending on anchor type)
 Tape Measure
 Drill (Hammer Drill Recommended)
 Hammer
 Level
 Saw for cutting track

BEFORE INSTALLING!

Solid concrete is the best base material. Brick, block, and wood stud walls may be acceptable. Metal stud walls are not an acceptable material for installation. Before installing make sure nothing is behind the wall that could be damaged by drilling and that the base material is strong enough to support a fully loaded rack. Tell your Dero representative what kind of base material you are installing the Track Rack into so the proper anchors can be shipped with the rack.

1


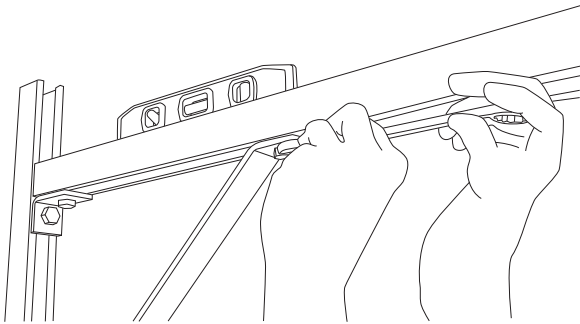
Mount 24" Slotted Tracks vertically to the wall with the appropriate anchors. Use a level for greatest accuracy. The bottom edge of the Slotted Track should be approximately 72" off the floor. The Slotted Tracks should be 32" apart from each other, and the end Slotted Tracks should be 18" from the eventual position of the end of the Trolley track.

2


Mount the remaining 24" Slotted Tracks horizontally and protruding from the wall so that the slotted surface of the Slotted Track is 4.25" below the top edge of the vertical 24" Slotted Track. Use the Knee Braces, Angle Brackets, and the Spring-loaded Nuts and Hex Head Cap Screws to secure the horizontal Slotted Track in place.

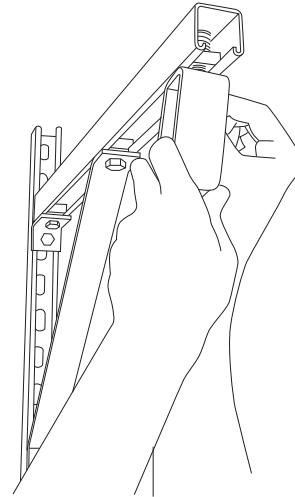


3



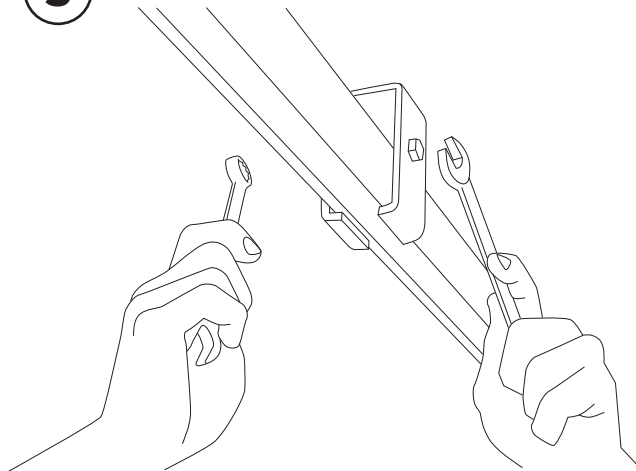
Make sure the horizontal Slotted Track is level. Adjust if necessary.

4



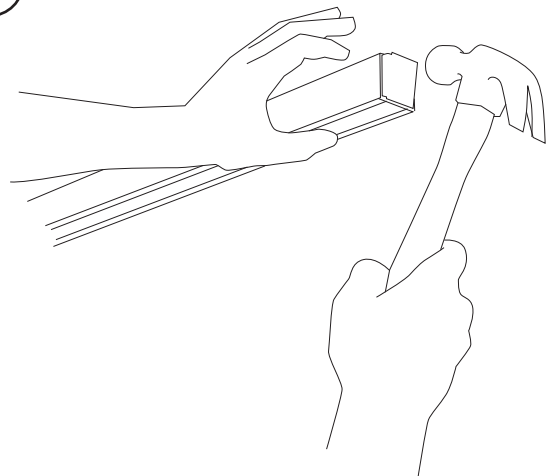
Attach the Track Rack to the Wall Mount assemblies by securing the Channel Trolley Supports to the horizontal 24" Slotted Track with the remaining Spring-loaded Nut and Hex Head Cap Screw. The edge of the Slotted Track Mounting Bracket should be flush with the edge of the 24" Slotted Track.

5

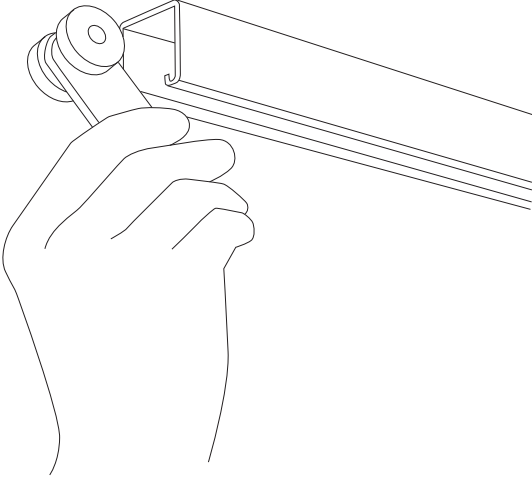


Slide Slotted Track through Channel Trolley Supports and secure in place by tightening the Hex Head Cap Screws and Flange Nuts through the holes in the Channel Trolley Supports.

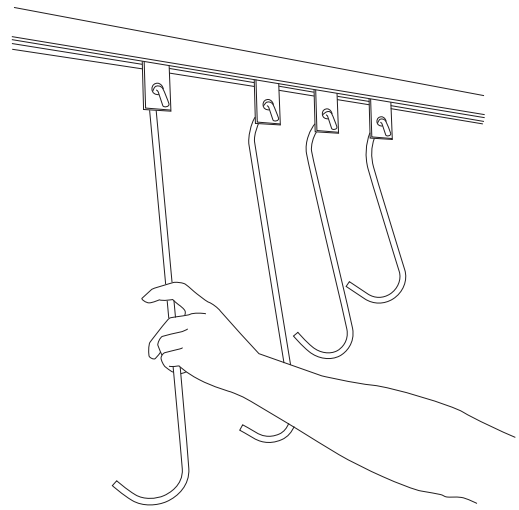
6



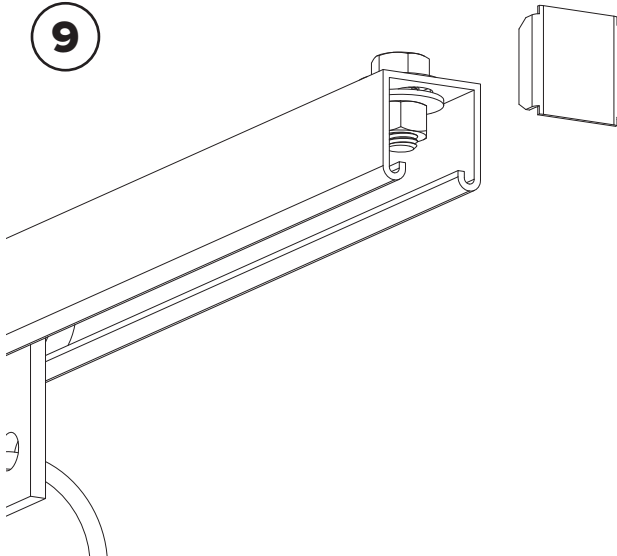
Insert a 1/2" Carriage Bolt into the last slot and fasten 3 Washers and a Tamperproof Nut. Finish by hammering in an End Cap.

7

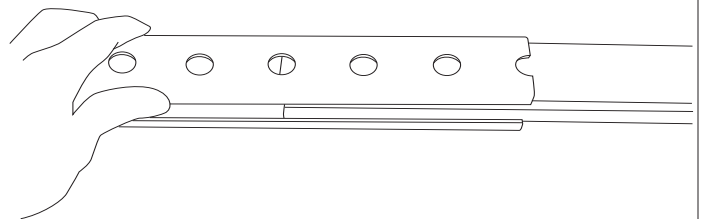
Insert the Trolleys into the open end of the 96" Slotted Track.

8

Insert the hooks through the holes in the tabs that are hanging down from the Trolleys. Each hook length should be at least 3" different than the neighboring hook.

9

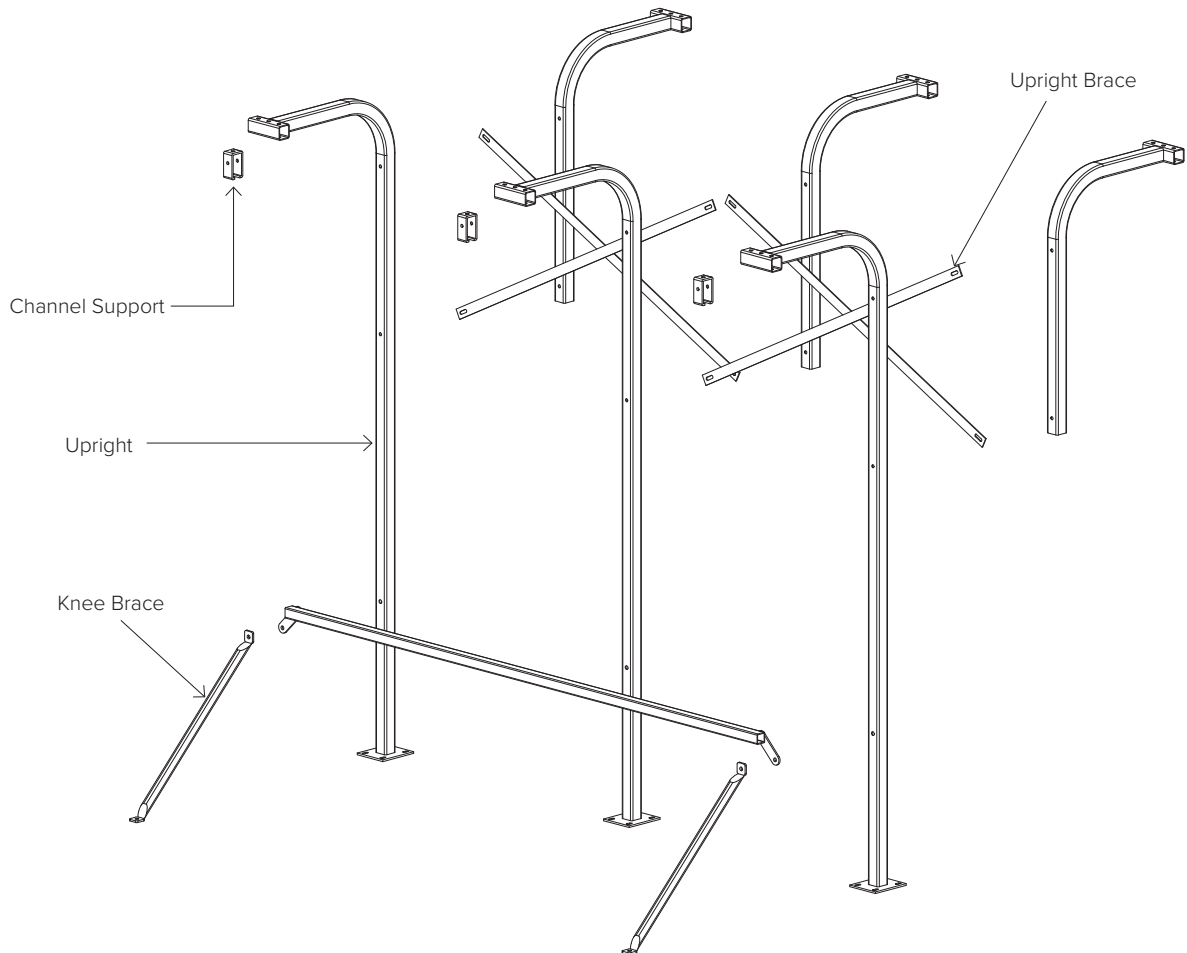
If no more Track Racks are going to be spliced together, apply hex head cap screw, washers, nut and End Cap in the open end of the Slotted Track to keep trolleys from sliding out.

10

If splicing an additional length of track, slide the Splice Slotted Track over the last 6" of the 96" Slotted Track.



The floor mounted Track Rack **MUST** be anchored to the floor. This is **NOT** a freestanding unit.

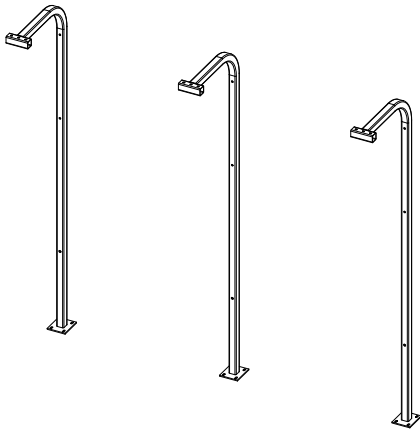



TOOLS NEEDED

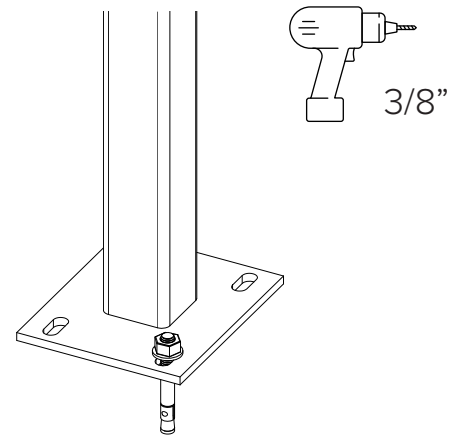
9/16" Wrench/Socket
 3/4" Wrench/Socket (Qty. 2)
 1/4" Drill Bit or 3/8" Masonry Drill Bit
 Tape Measure
 Drill (Hammer Drill Recommended)
 Hammer
 Level

BEFORE INSTALLING!

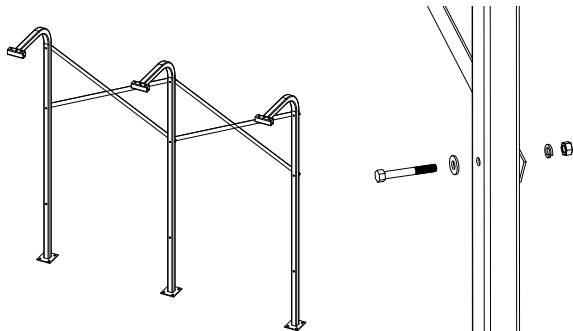
Make sure the floor is strong enough to accommodate the rack fully loaded with bikes.
 Compare parts shipped with rack to parts list. Call Dero if any parts are missing.

1


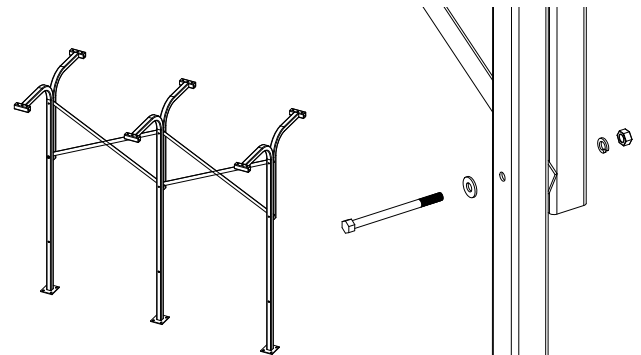
Place the Uprights 48" apart from each other. See your rack layout for location and numbers.

2


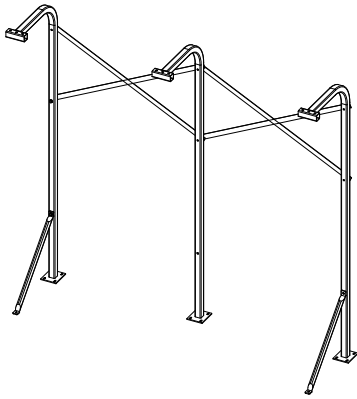
Anchor each Upright by drilling 3/8" holes and fastening with wedge anchors.

3


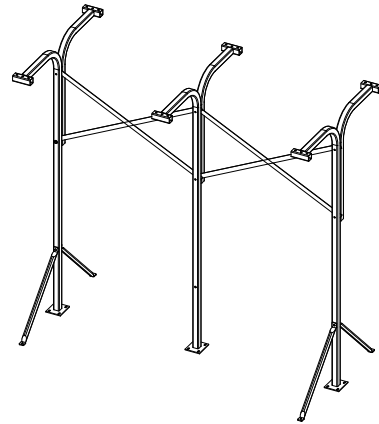
A) For single-sided units, fasten the Upright Braces to the Uprights with 3/8" x 3" bolts, 3/8" washers, 3/8" lock washers, and 3/8" nuts.



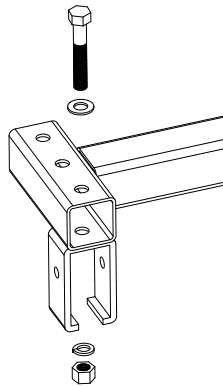
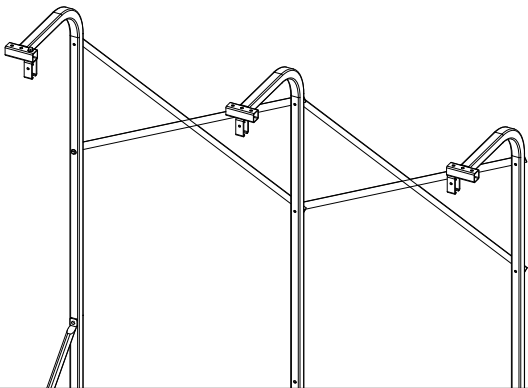
B) For double-sided units, fasten the Double-sided Uprights and Upright Braces to the Uprights with 3/8" x 3" bolts, 3/8" washers, 3/8" lock washers, and 3/8" nuts.

4


A) For single-sided units, attach Knee Braces to the first Upright and then every other Upright with 3/8" x 3" bolts, 3/8" washers, 3/8" lock washers, and 3/8" nuts. Anchor each Knee Brace by drilling a 3/8" hole and fastening with a wedge anchor.

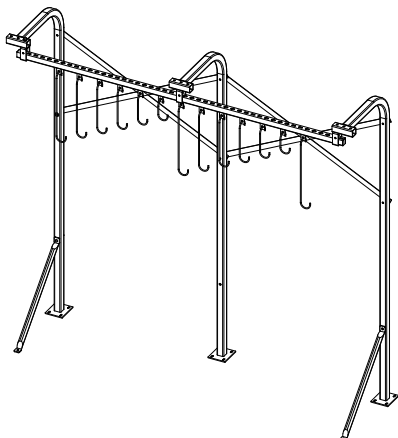


B) For double-sided units, attach (2) Knee Braces to the first Upright and then every other Upright with 3/8" x 3" bolts, 3/8" washers, 3/8" lock washers, and 3/8" nuts. Anchor each Knee Brace by drilling a 3/8" hole and fastening with a wedge anchor.

5


Fasten the Channel Supports to the uprights with 1/2" x 3" bolts, 1/2" washers, 1/2" lock washers, and 1/2" nuts.

Use the following Channel support mounting locations:
 1st Upright, use right hole.
 2nd Upright, use center hole.
 3rd Upright, use left hole.
 For modular units each 3rd Upright will have a Channel Support at the left and right holes.

6


Insert the Track Rack assembly into the Channel Supports and secure. See Track Assembly instructions for more detail.