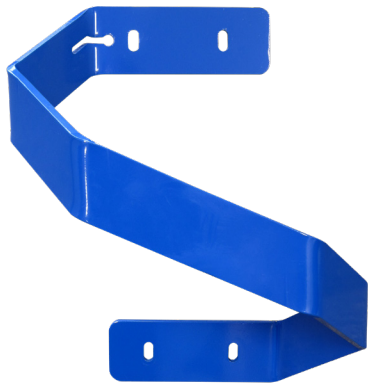




DERO
A PLAYCORE Company



Switchback

One wall, one bike, no room? No problem! The Switchback™ Rack allows for horizontal bike parking along a wall when your space is limited. Ride up, lock your bike, and use the optional cable to secure both wheels if you like. An ideal rack for urban settings where space is at a premium.

Patent D767,452 S1

Switchback



- U-lock compatible
- Optional locking cable available for added security
- Wall mounted



Tamper-resistant fasteners available upon request

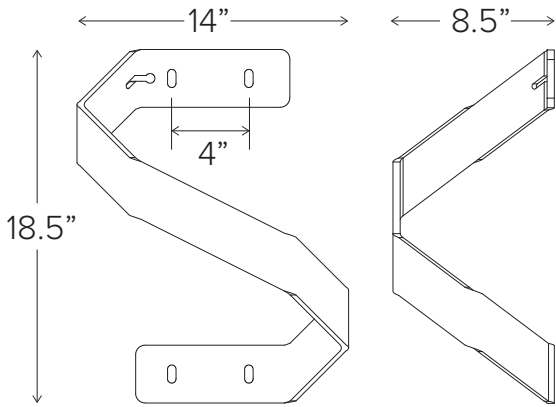
FINISH OPTIONS

Galvanized



Powder Coat





CAPACITY 1 Bike

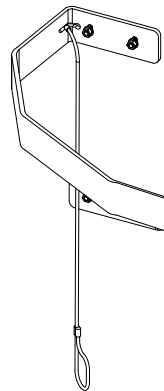
MATERIALS **Rack:** 3" x 3/8" steel
Cable: 3/16" 7x19 steel cable with 1/4" OD vinyl coating (optional)

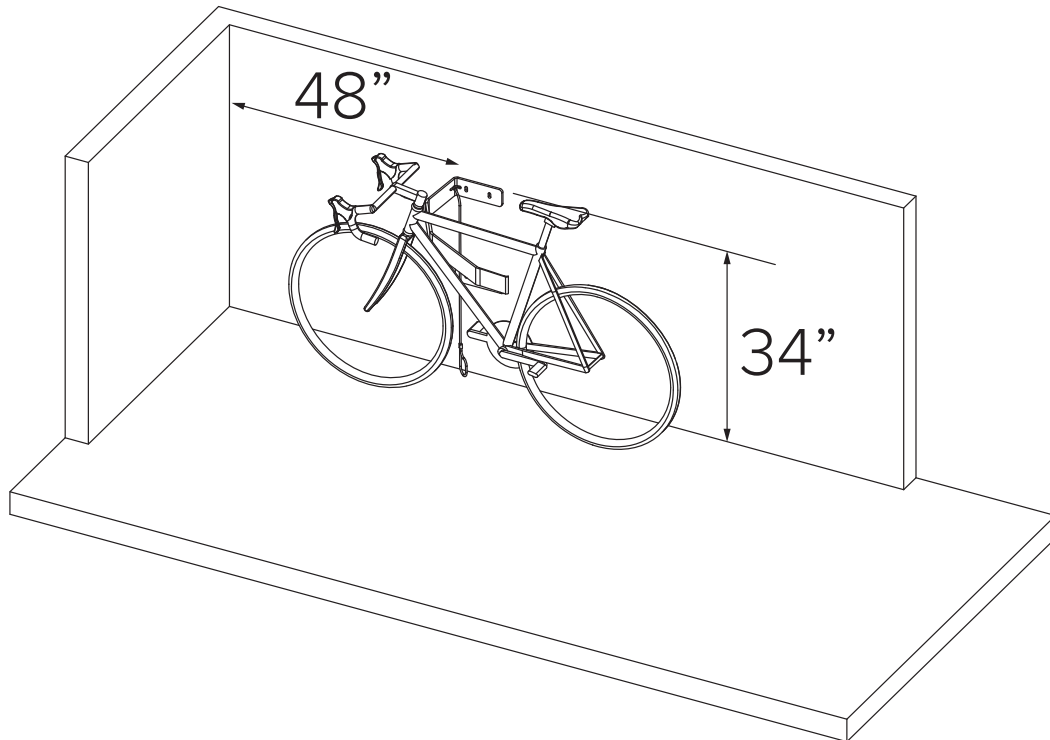
FINISHES

- Galvanized**
An after fabrication hot dipped galvanized finish is our standard option.
- Powder Coat**
Our powder coat finish assures a high level of adhesion and durability by following these steps:
 1. Sandblast
 2. Epoxy primer electrostatically applied
 3. Final thick TGIC polyester powder coat

MOUNT OPTIONS **Wall mount only**
Wall-mounted racks have (4) holes for 3/8" anchors. Racks should be centered on the wall 25" from the ground for best results. Tamper-resistant fasteners available upon request.

LOCKING CABLE **Add optional locking cable**






TOOLS NEEDED

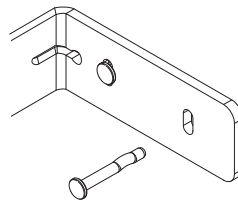
Tape Measure
 Marker or Pencil
 Masonry Drill Bit
 Drill (Hammer drill recommended)
 Hammer
 Wrench 9/16"

RECOMMENDED BASE MATERIAL

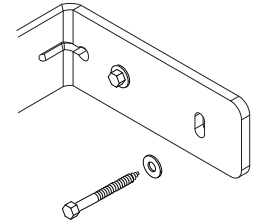
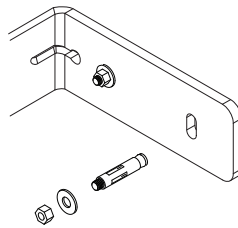
Solid concrete is the best base material. Brick, block, and wood stud walls may be acceptable. Metal stud walls are not an acceptable material for installation. Before installing make sure nothing is behind the wall that could be damaged by drilling and that the base material is strong enough to support a fully loaded rack. Tell your Dero representative what kind of base material you are installing the Switchback™ into so the proper anchors can be shipped with the rack.

1

3/8" anchors are shipped with the rack. Place the rack in the desired location. Use a marker or pencil to outline the holes of the flange onto the base material. Drill the holes in accordance with the specifications shipped with the anchors. Make sure the holes are at least 3" away from any cracks in the base material. Racks should be mounted 25" from the ground at the center of the rack.



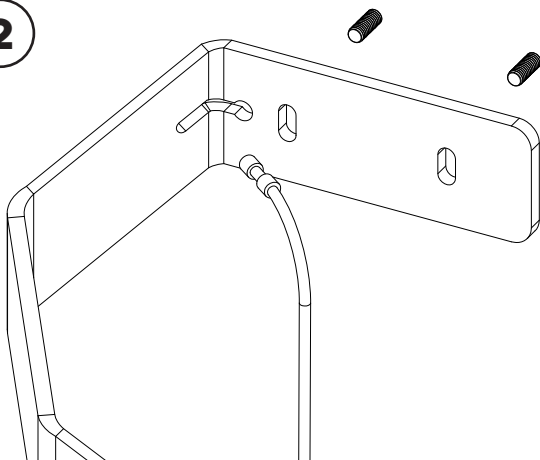
Concrete Spike


 Lag Screw
 (wood install)


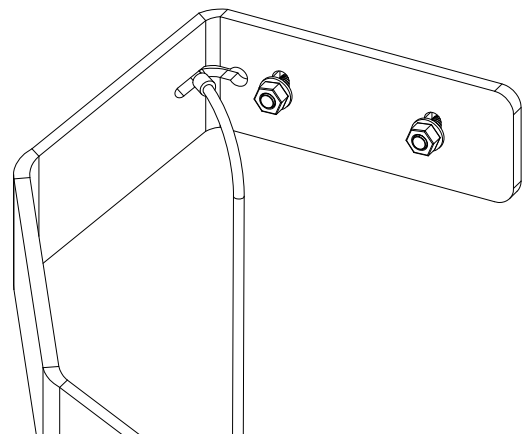
Sleeve Anchor



Titen Anchor

2


Before anchoring Switchback™ to wall, insert end of locking cable through larger end of the cable slot and slide cable forward.

3


Anchor Switchback™ to wall following instructions in step 1.