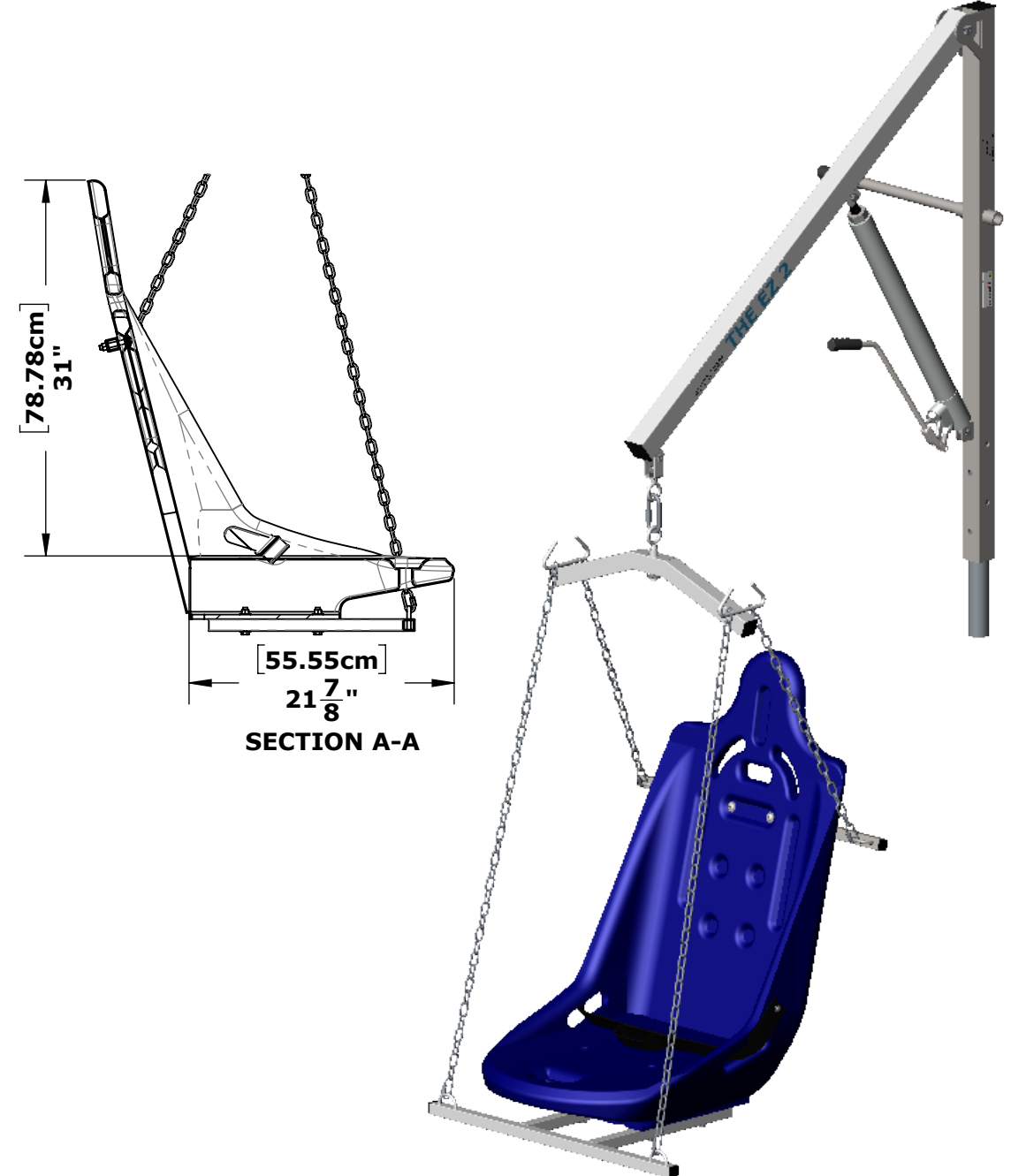
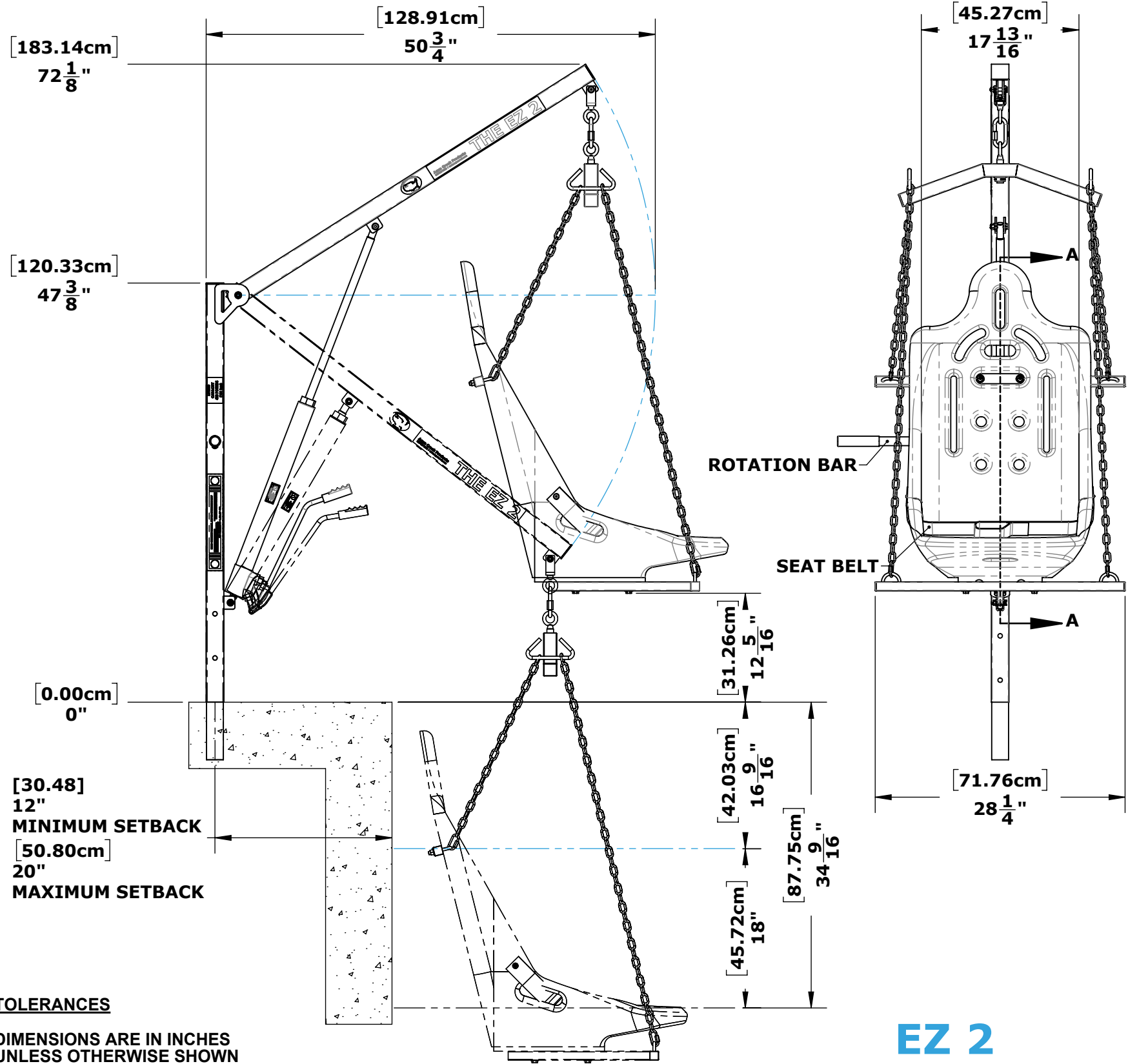


FEATURES

- ◆ 400 LB. (181 KG.) WEIGHT CAPACITY
- ◆ SETBACK RANGE 12" TO 20" (30 - 50 cm)
- ◆ CLEARS WALLS UP TO 15" (38cm)
- ◆ 360 ROTATION
- ◆ ALL STAINLESS STEEL CONSTRUCTION
- ◆ DURABLE POWDER COAT FINISH
- ◆ FULLY CUSTOMIZABLE
- ◆ ONE YEAR HYDRAULIC RAM WARRANTY
- ◆ FIVE YEAR STRUCTURAL WARRANTY
- ◆ FIVE YEAR PRO-RATED ELECTRONICS WARRANTY

CLICK HERE TO VIEW THIS PRODUCT:
[HTTPS://AQUACREEKPRODUCTS.COM/EZ2POOLLIFT/](https://aquacreekproducts.com/EZ2POOLLIFT/)



EZ 2

CUSTOM OPTIONS

PART NO. F-EZPL2-C

MATERIAL: 304 STAINLESS STEEL
FINISH: POWDER COAT - WHITE
APPROX. WEIGHT: 92.05 LBS.

TOLERANCES
DIMENSIONS ARE IN INCHES
UNLESS OTHERWISE SHOWN
FRACTIONAL: ±1/16
ANGULAR: ±1°
TWO PLACE DECIMAL: ±.01
THREE PLACE DECIMAL: .. ±.005



9889 GARRYMORE LANE
MISSOULA, MT 59808
(406) 549-0769
FAX (406) 549-2602
www.AquaCreek.com

PROPRIETY AND CONFIDENTIAL INFORMATION

THIS DRAWING AND ALL INFORMATION CONTAINED HEREIN IS THE SOLE PROPERTY OF AQUA CREEK PRODUCTS LLC. ANY REPRODUCTION IN PART OR AS A WHOLE WITHOUT WRITTEN PERMISSION FROM AQUA CREEK IS PROHIBITED.

*SPECIFICATIONS ARE SUBJECT TO CHANGE WITHOUT NOTICE

REVISIONS			
REV.	DESCRIPTION	DATE	APPROVED
P1	PRODUCTION RELEASE	4/8/2021	J.MAXWELL

EZ 2 - F-EZPL2-C

51-163-220

SCALE
1:14

SHEET
1