



DERO
A PLAYCORE Company



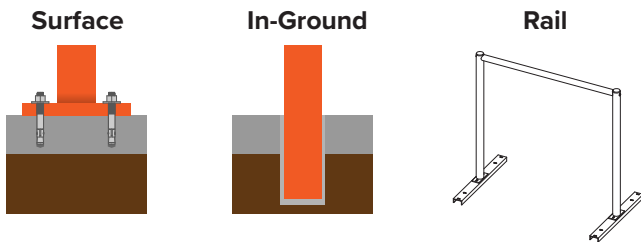
Saddle Buddy™

Designed for trailheads, bike parks and picnic areas, the Saddle Buddy™ offers a resting place for cyclists' noble steeds. The convenient bar allows cyclists to keep their bikes upright while taking a break or gearing up for the ride ahead. This is not designed to be a lockable bike rack, but rather a convenience for riders who won't be leaving their bikes unattended.

Saddle Buddy™



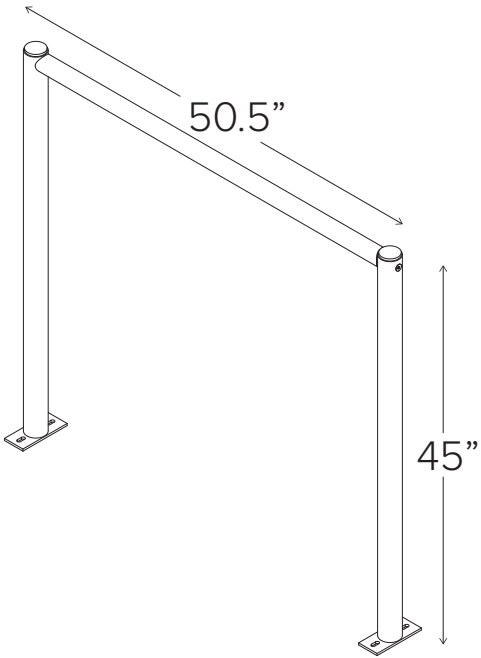
MOUNT OPTIONS



FINISH OPTIONS

Galvanized





MATERIALS

Horizontal Assembly: 1.5" Sch. 40 Pipe
Vertical Assembly: 2" Sch. 40 Pipe

FINISHES**Galvanized only**

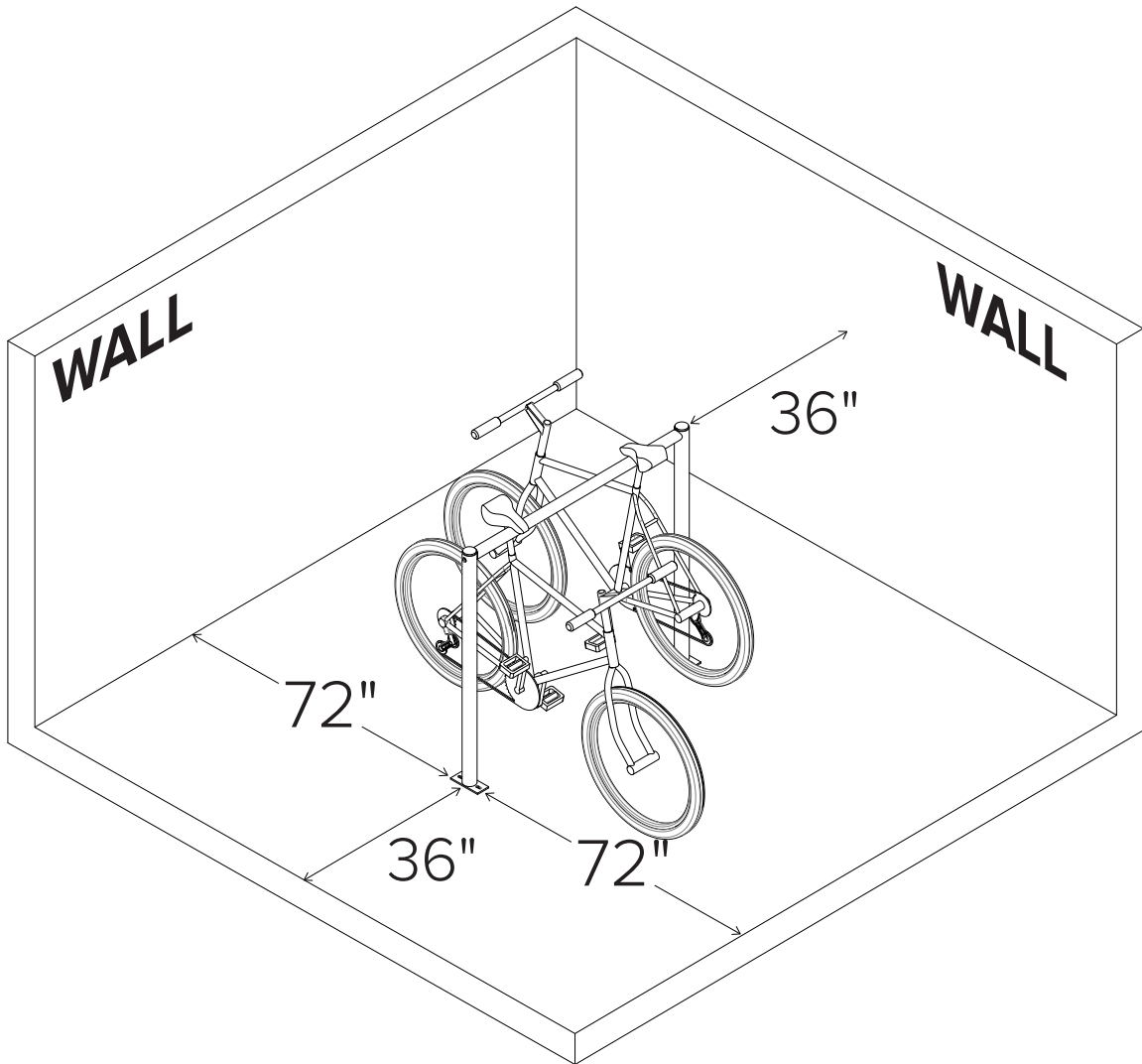
An after fabrication hot dipped galvanized finish is our standard option.

MOUNT OPTIONS**Surface**

Foot Mount has two 2.5" x 6" x .25" feet with two anchors per foot. Specify foot mount for this option.

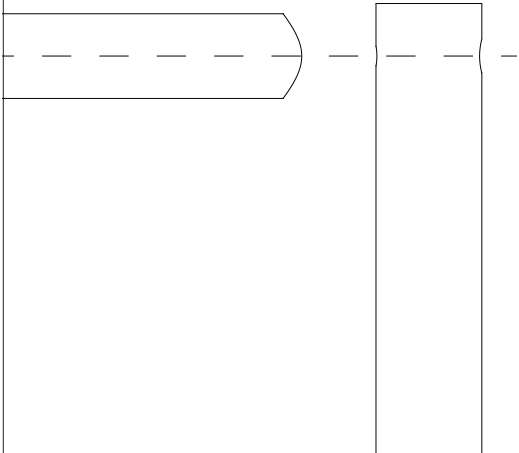
**In-Ground**

In-ground mount is embedded into concrete base. Specify in-ground mount for this option

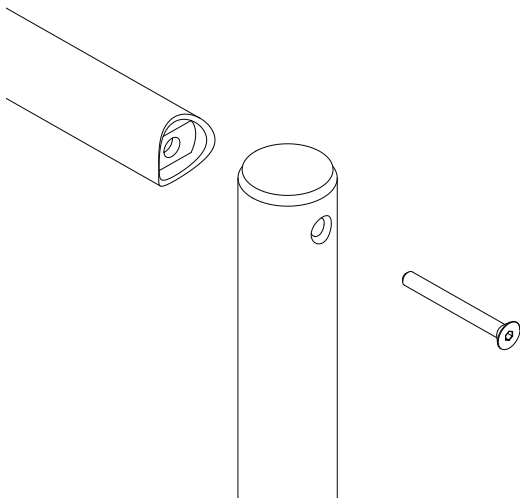


**TOOLS NEEDED**

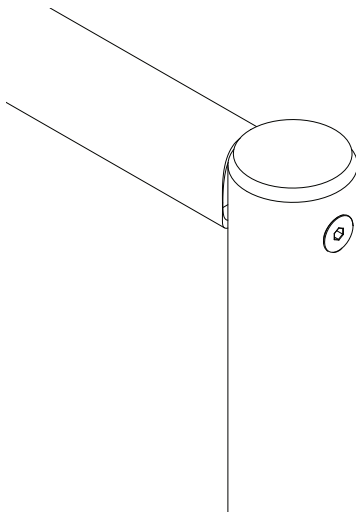
Hex Key

1

Align the horizontal cross bar and vertical members so the bolt holes line up.

2

Ensure the countersunk side of the vertical members is facing out and insert the countersunk hex bolts through the vertical member, threading into the brass colored, threaded riv-nut fixed into the horizontal cross bar.

3

Tighten the countersunk bolts with the appropriate hex key until there the countersunk head seats in the countersunk hole on the vertical member, and so there is no play between the bolted components.



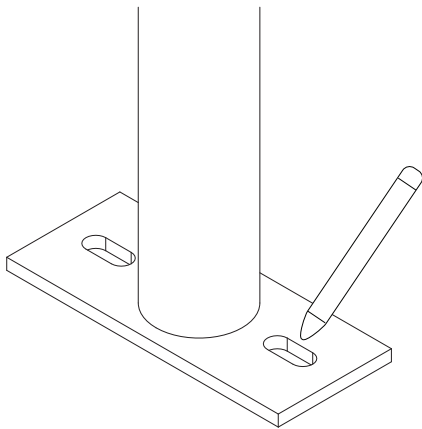
TOOLS NEEDED

- Tape Measure
- Hammer
- Electric Hammer Drill
- 3/8" x 6" Masonry Drill Bit
- Hex Key

RECOMMENDED BASE MATERIAL

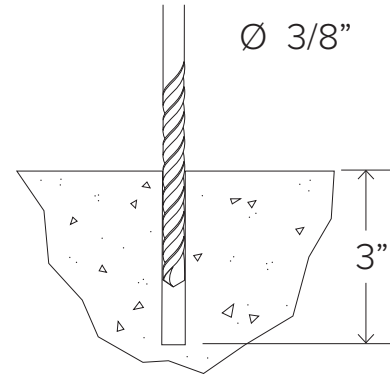
Solid concrete is the best base material for installation. To ensure the proper anchors are shipped with your rack, ask your Dero representative which anchor is appropriate for your application. Be sure nothing is underneath the base material that could be damaged by drilling.

1



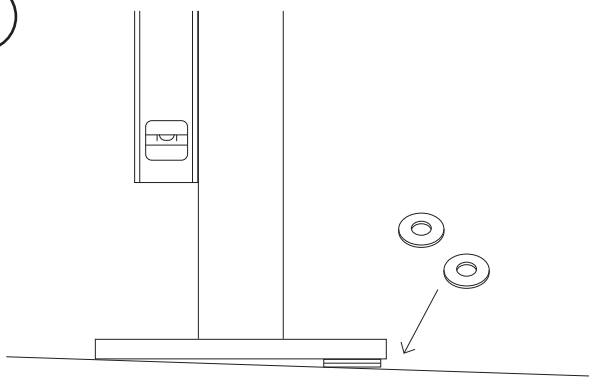
Place the rack in the desired location. Use a marker or pencil to outline the holes of the flange onto the base material.

2



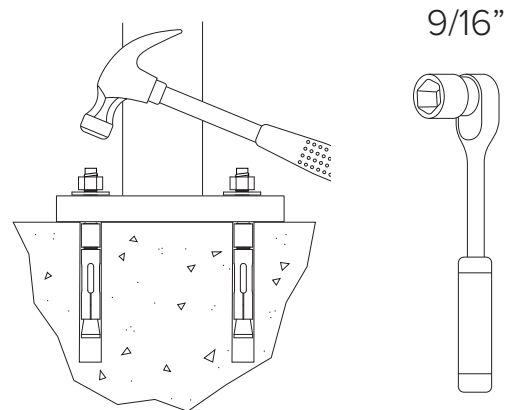
Drill 3/8" diameter holes 3" deep into surface. Make sure the holes are at least 3" away from any cracks in the base material.

3



Place rack (and washers to level rack if necessary) over holes.

4



Thread nuts onto anchors, leaving approximately 1/4" of the anchor protruding, and tap into surface. Tighten nuts down to secure rack.

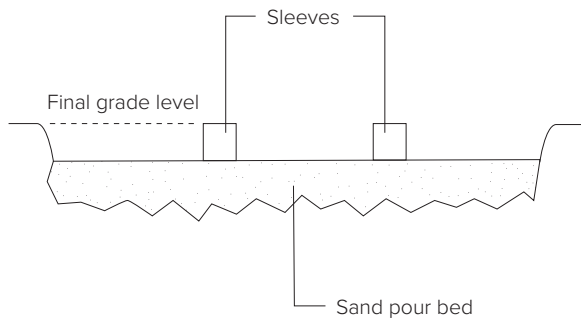


TOOLS NEEDED

Level
Cement mixing tub
Shovel

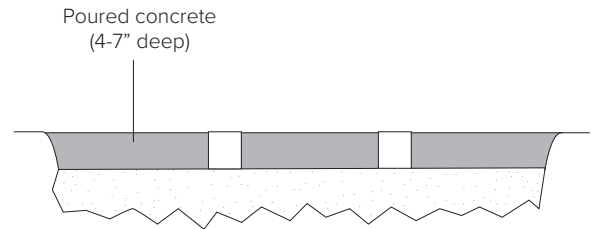
Trowel
Corrosion-Resistant Sleeve (min. 3" diameter)
Materials to build brace (see "Install Tip" at bottom of page)

1



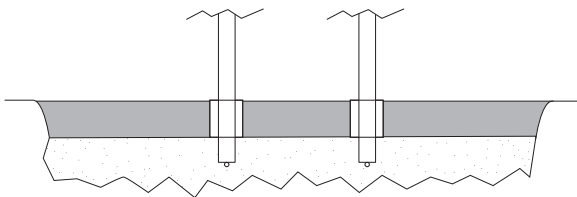
Place corrosion resistant sleeve (min. 3" inside diameter) in sand pour bed in exact location where rack will be installed. Make sure top of sleeve is at same level as desired finished concrete surface. Fill sleeve with sand to keep it in place and prevent it from filling with concrete.

2



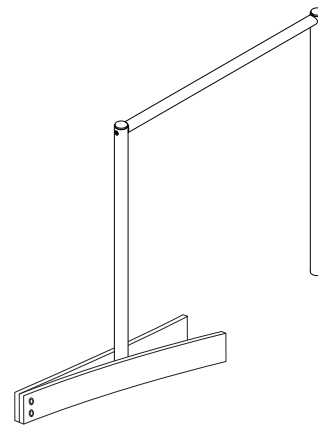
Pour concrete and allow to cure.

3



After appropriate cure time, dig out sand from sleeves and insert rack, making sure it is level and at the appropriate height. Pour in Super Por-Rok or epoxy grout and allow to set.

TIP



An easy way to brace the rack while the grout sets is to bolt two 1x4" boards together at one end and clamp them onto the legs of the rack like a clothes pin.

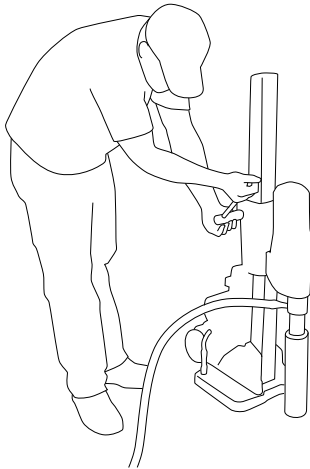


TOOLS NEEDED

Level
Cement mixing tub
Shovel
Access to water hose

Trowel
Hole coring machine with 4" bit
Materials to build brace (see "Install Tip" at bottom of page)

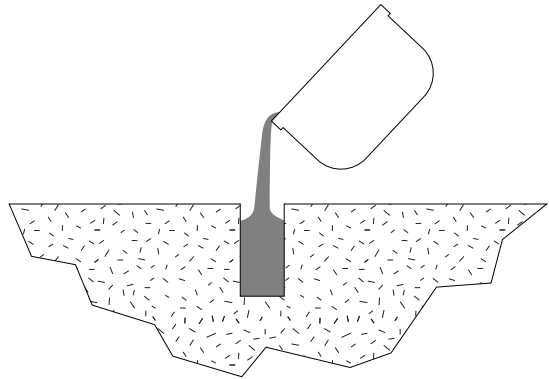
1



Ø 3" min.
↓ 10" min.

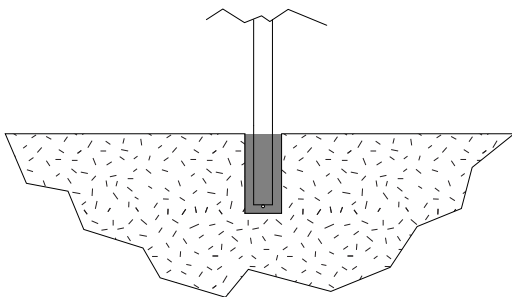
Core holes no less than 3" diameter (4" recommended) and no less than 10" deep into sidewalk.

2



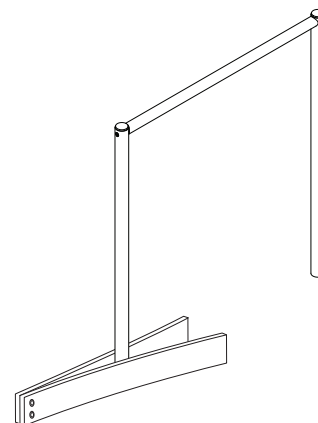
Fill holes with Super Por-Rok or epoxy grout.

3



Place rack into holes, making sure the rack is level until the grout has set. 33"-36" of the rack should remain above the surface.

TIP



An easy way to brace the rack while the grout sets is to bolt two 1x4" boards together at one end and clamp them onto the legs of the rack like a clothes pin.

Place 3/8" carriage bolts through Saddle Buddy™ flange and rail as illustrated below. Apply washers and nuts from underside of rail. Use a 9/16" socket to tighten nuts.

