



**DERO**  
A PLAYCORE Company



## Pump Stop

The Pump Stop holds bikes upright while filling tires with air. It is the perfect accessory to any Dero public air pump.

# Pump Stop



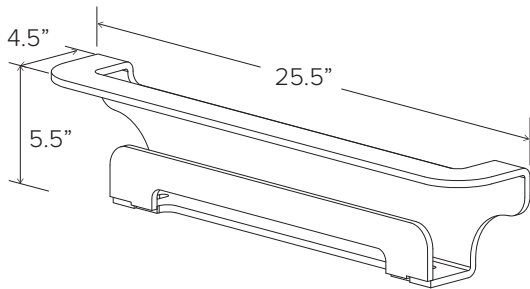
## FINISH OPTIONS

### Galvanized



### Powder Coat

- |   |  |   |   |  |
|---|--|---|---|--|
|  White                   |  Black              |  Light Gray<br>RAL 7042  |  Deep Red<br>RAL 3003  |  Yellow<br>RAL 1023       |
|  CNH Bright<br>Yellow    |  Orange<br>RAL 2004 |  Beige<br>RAL 1001       |  Iron Gray<br>RAL 7011 |  Hunter Green<br>RAL 6005 |
|  Light Green<br>RAL 6018 |  Green<br>RAL 6016  |  Sepia Brown<br>RAL 8014 |  Bronze                |  Silver<br>RAL 9007       |
|  Dark Purple             |  Flat Black         |  Wine Red<br>RAL 3005    |   |  |



---

**CAPACITY** 1 Bike

---

**MATERIALS** 5/16" Steel Plate

---

**FINISHES**

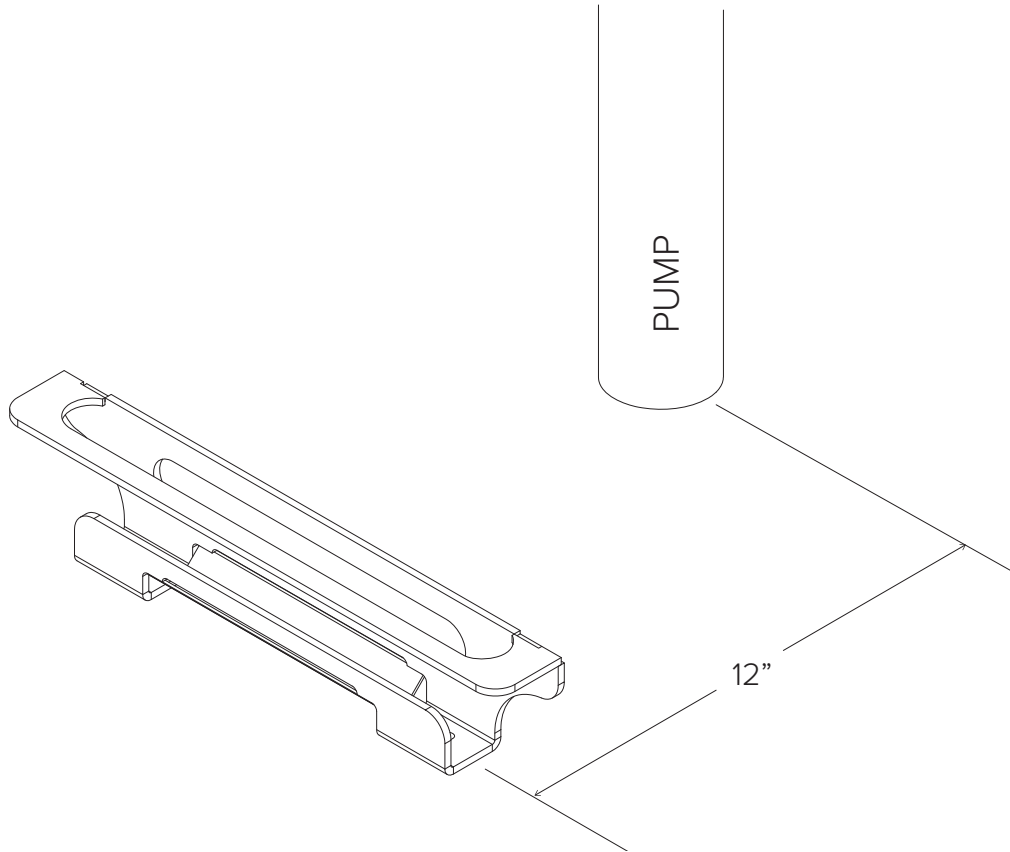
**Galvanized**  
An after fabrication hot dipped galvanized finish is our standard option.

**Powder Coat**  
Our powder coat finish assures a high level of adhesion and durability by following these steps:

1. Sandblast
2. Epoxy primer electrostatically applied
3. Final thick TGIC polyester powder coat

---

**MOUNT OPTIONS** **Surface**  
Mounts to install surface with two anchors





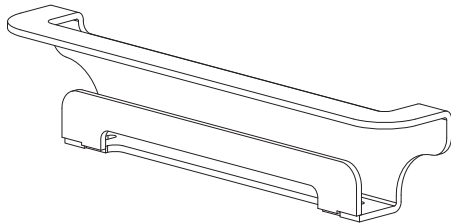
### TOOLS NEEDED

- Marker or Pencil
- Masonry Drill Bit 3/8"
- Drill (Hammer drill recommended)
- Hammer
- Wrench 9/16"
- Level

### RECOMMENDED BASE MATERIAL

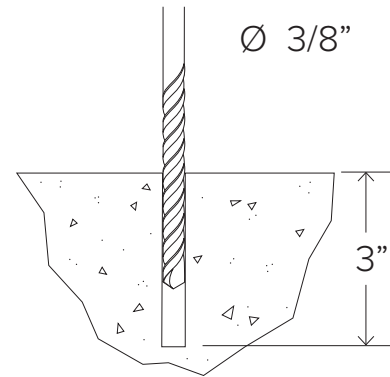
Solid concrete is the best base material for installation. To ensure the proper anchors are shipped with your rack, ask your Dero Rack representative which anchor is appropriate for your application. Be sure nothing is underneath the base material that could be damaged by drilling.

**1**



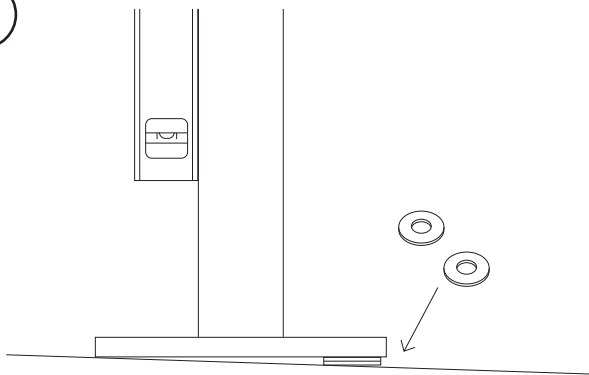
Place the rack in the desired location. Use a marker or pencil to outline the holes of the flange onto the base material.

**2**



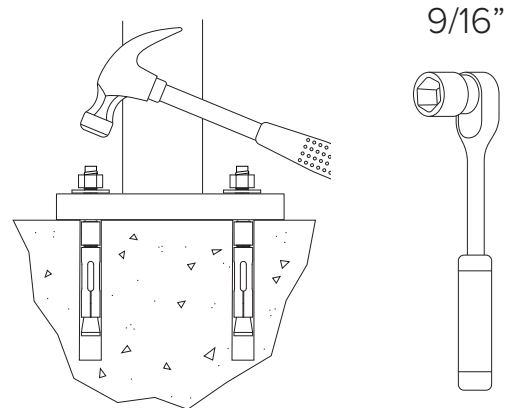
Drill 3/8" diameter holes 3" deep into surface. Make sure the holes are at least 3" away from any cracks in the base material.

**3**



Place rack (and washers to level rack if necessary) over holes.

**4**



Thread nuts onto anchors, leaving approximately 1/4" of the anchor protruding, and tap into surface. Tighten nuts down to secure rack.