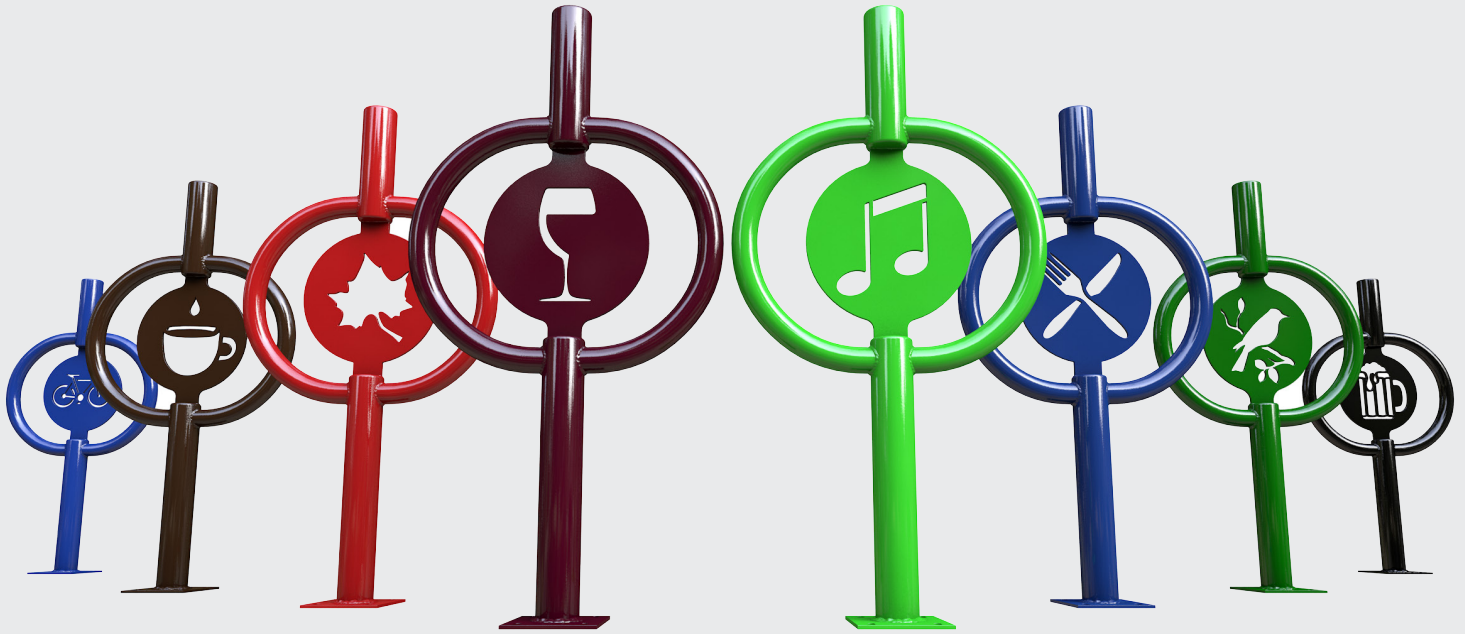




Icon Hitch™

Spice up bike parking without the expense of a fully customized bike rack. Choose from eight designs: beer mug, bike, bird, coffee cup, silverware, maple leaf, music note, and wine glass. These frequently requested designs are now available as laser-cut plates, welded inside Dero's popular Bike Hitch. Ideal for coffee shops, restaurants, brew pubs, nature centers, and anyone who wishes to make a statement with these eye-catching bike racks.





Choose from eight popular designs!

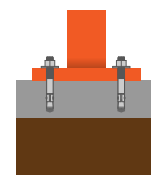
FINISH OPTIONS

Powder Coat

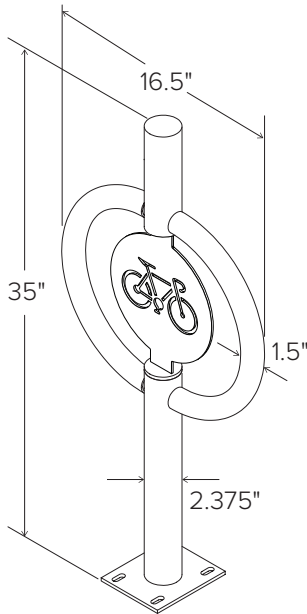


MOUNT OPTIONS

Surface



Tamper-resistant fasteners
available upon request



CAPACITY 2 Bikes

MATERIALS

Centerbeam: 2" schedule 40 pipe (2.375" OD)
Ring: 1.5" OD 11 gauge tube
Icon plate: .25" laser cut steel









FINISHES

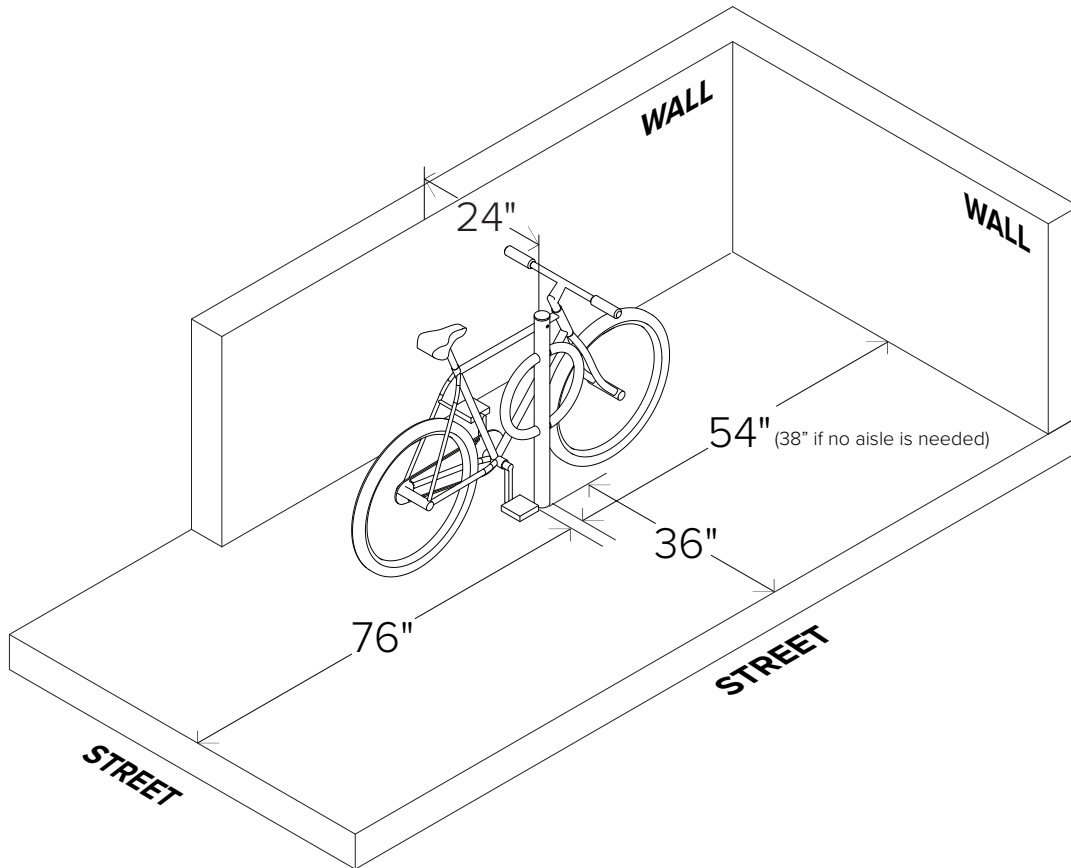
Powder Coat
 Our powder coat finish assures a high level of adhesion and durability by following these steps:
 1. Sandblast
 2. Epoxy primer electrostatically applied
 3. Final thick TGIC polyester powder coat

MOUNT OPTIONS

Surface only
 Foot Mount has a 5" x 6" x .25" foot with four anchors per foot. Tamper-resistant fasteners available upon request.

ICON

-  **Beer**
-  **Bike**
-  **Bird**
-  **Coffee**
-  **Maple**
-  **Music**
-  **Silverware**
-  **Wine**

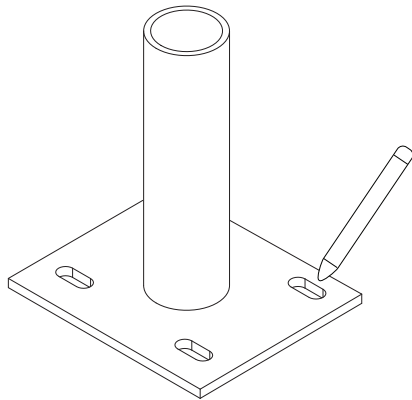



TOOLS NEEDED

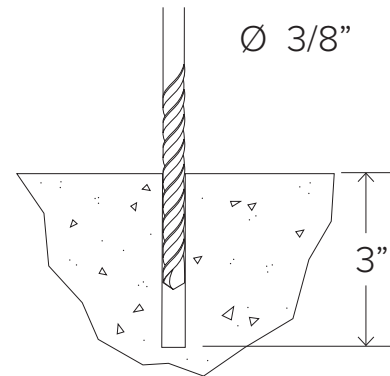
Tape Measure
 Marker or Pencil
 Masonry Drill Bit
 Drill (Hammer drill recommended)
 Hammer
 Wrench 9/16"
 Level
 Washers (for leveling if necessary)

RECOMMENDED BASE MATERIAL

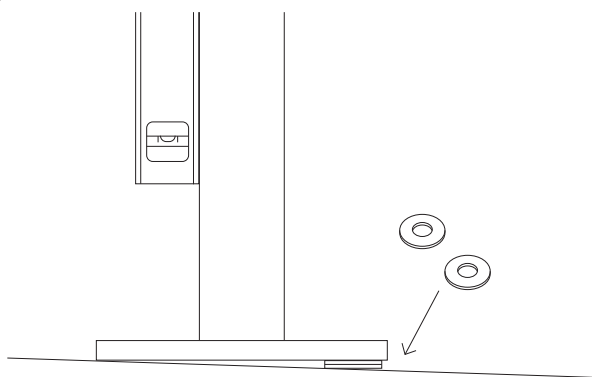
Solid concrete is the best base material for installation. To ensure the proper anchors are shipped with your rack, ask your Dero representative which anchor is appropriate for your application. Be sure nothing is underneath the base material that could be damaged by drilling.

1


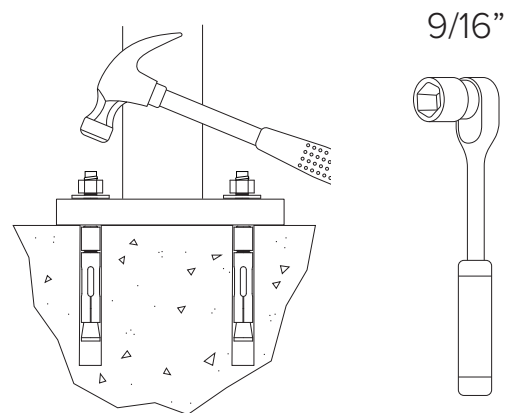
Place the rack in the desired location. Use a marker or pencil to outline the holes of the flange onto the base material.

2


Drill 3/8" diameter holes 3" deep into surface. Make sure the holes are at least 3" away from any cracks in the base material.

3


Place rack (and washers to level rack if necessary) over holes.

4


Thread nuts onto anchors, leaving approximately 1/4" of the anchor protruding, and tap into surface. Tighten nuts down to secure rack.