



DERO
A PLAYCORE Company



Hi Roller

The Hi Roller puts a unique twist on a familiar design. By adding an extra bend to a rolling-style rack, the Hi Roller provides a much greater degree of bicycle support than its purely vertical counterpart. The Hi Roller can be ordered for in-ground or foot mounted installation. This rack uses thick pipe construction and allows for one of the wheels and frame to be secured using a u-style bike lock. The Hi Roller is available in various lengths to meet your bike capacity needs.

Hi Roller



Just your size.

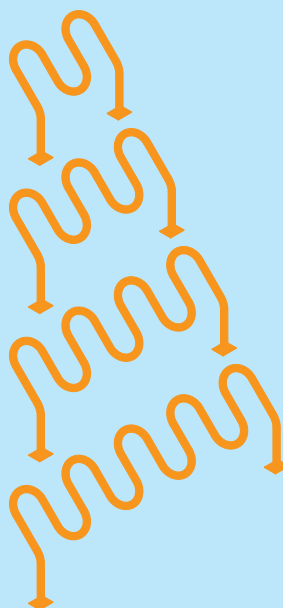
The Hi Roller is available in a variety of lengths to meet your bike parking capacity needs.

Hi2H
42"
4 Bikes

Hi3H
66"
5 Bikes

Hi4H
90"
6 Bikes

Hi5H
114"
7 Bikes



Tamper-resistant fasteners available upon request



FINISH OPTIONS

Galvanized

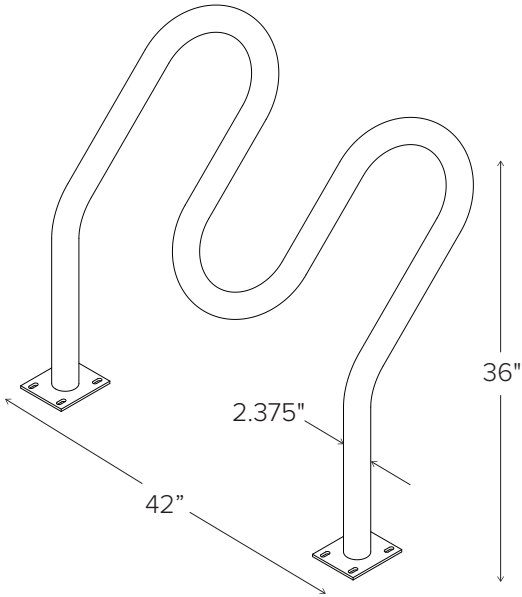


Stainless



Powder Coat

White	Black	Light Gray RAL 7042	Deep Red RAL 3003	Yellow RAL 1023
CNH Bright Yellow	Orange RAL 2004	Beige RAL 1001	Iron Gray RAL 7011	Hunter Green RAL 6005
Light Green RAL 6018	Green RAL 6016	Sepia Brown RAL 8014	Blue RAL 5005	Sky Blue RAL 5015
Dark Purple	Flat Black	Wine Red RAL 3005	Bronze	Silver RAL 9007



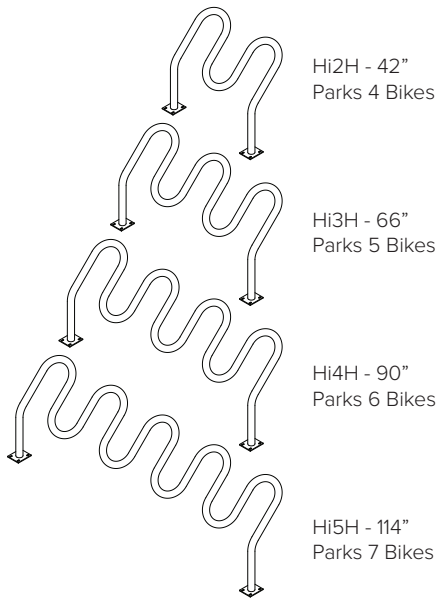
CAPACITY

- Hi2H:** 4 Bikes
- Hi3H:** 5 Bikes
- Hi4H:** 6 Bikes
- Hi5H:** 7 Bikes

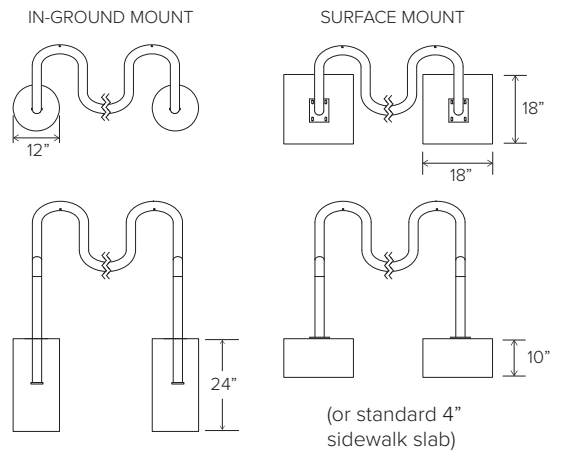
MATERIALS 2.375" OD Schedule 40 Steel Pipe

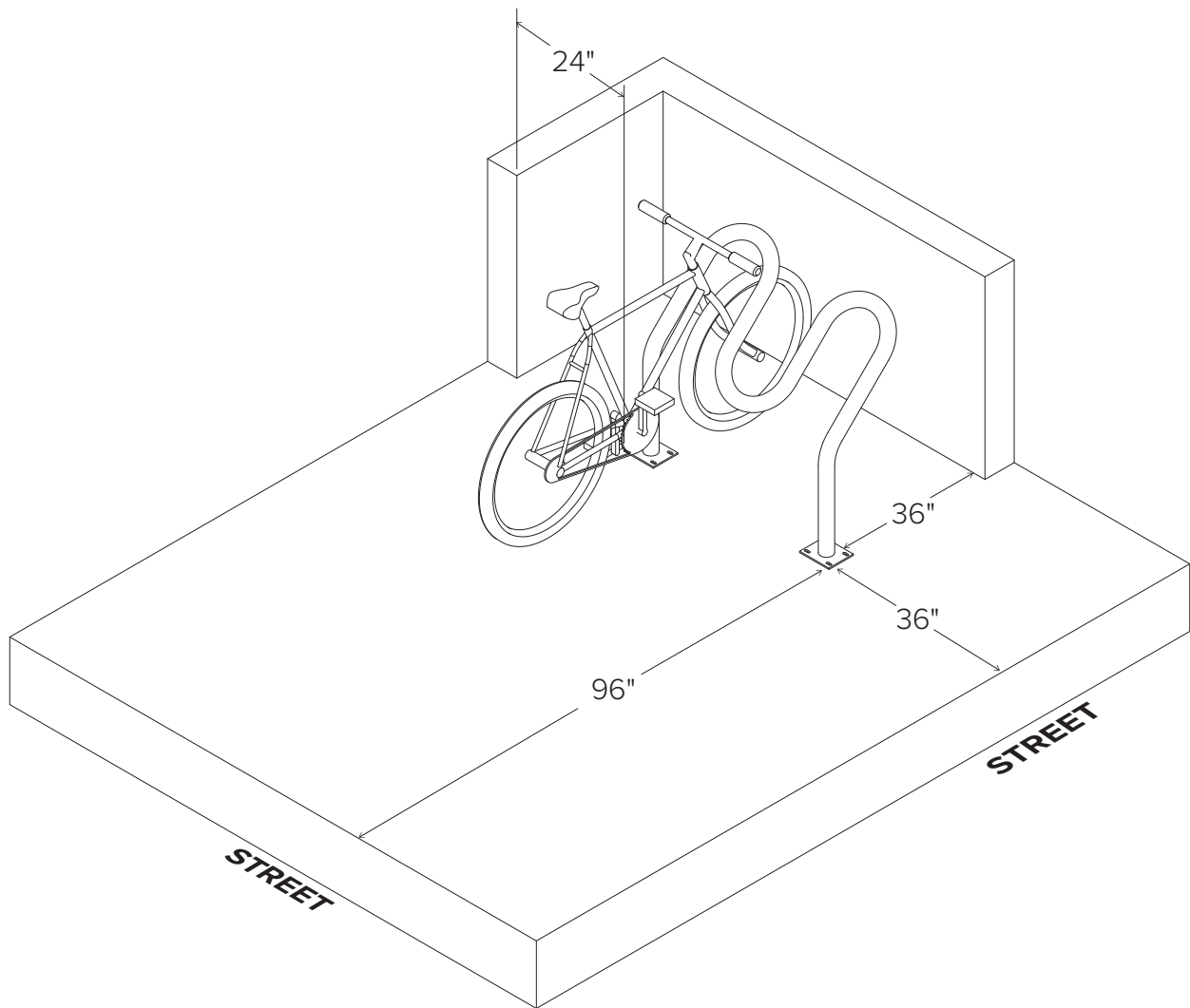
- FINISHES**
- Galvanized**
An after fabrication hot dipped galvanized finish is our standard option.
 - Powder Coat**
Our powder coat finish assures a high level of adhesion and durability by following these steps:
 1. Sandblast
 2. Epoxy primer electrostatically applied
 3. Final thick TGIC polyester powder coat
 - Stainless**
Stainless Steel: 304 grade stainless steel material finished in either a high polished shine or a satin finish.

- MOUNT OPTIONS**
- Surface**
Foot Mount has two 5"x6"x.25" feet with four anchors per foot. Specify foot mount for this option. Tamper-resistant fasteners available upon request.
 - In-Ground**
In-ground mount is embedded into concrete base. Specify in-ground mount for this option



Recommended Footings







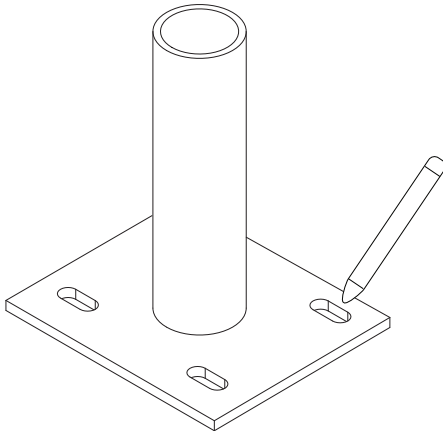
TOOLS NEEDED

- Tape Measure
- Marker or Pencil
- Masonry Drill Bit 3/8"
- Drill (Hammer drill recommended)
- Hammer
- Wrench 9/16"
- Level

RECOMMENDED BASE MATERIAL

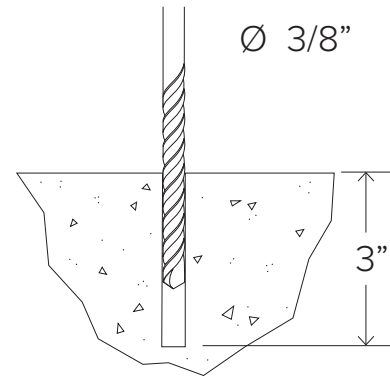
Solid concrete is the best base material for installation. To ensure the proper anchors are shipped with your rack, ask your Dero Rack representative which anchor is appropriate for your application. Be sure nothing is underneath the base material that could be damaged by drilling.

1



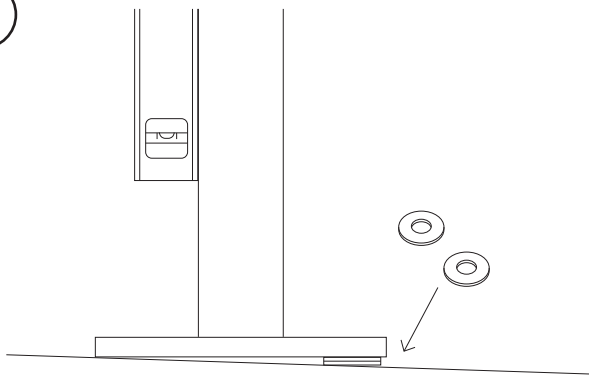
Place the rack in the desired location. Use a marker or pencil to outline the holes of the flange onto the base material.

2



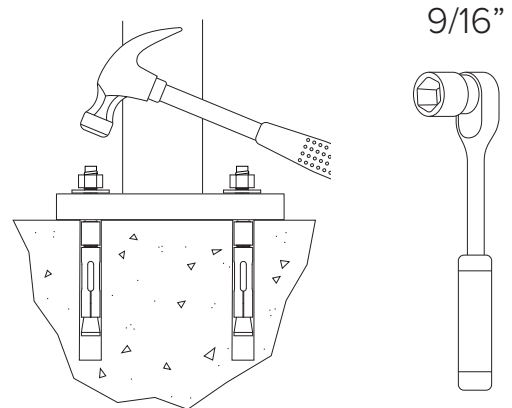
Drill 3/8" diameter holes 3" deep into surface. Make sure the holes are at least 3" away from any cracks in the base material.

3



Place rack (and washers to level rack if necessary) over holes.

4



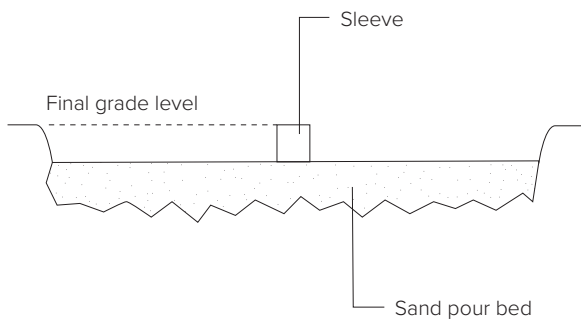
Thread nuts onto anchors, leaving approximately 1/4" of the anchor protruding, and tap into surface. Tighten nuts down to secure rack.



TOOLS NEEDED

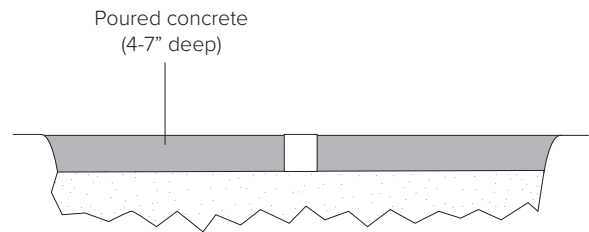
- Level
- Cement mixing tub
- Shovel
- Trowel
- Corrosion-Resistant Sleeve (min. 4" diameter)
- Materials to build brace (see "Install Tip" at bottom of page)

1



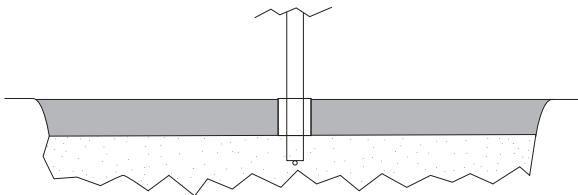
Place corrosion resistant sleeve (min. 4" inside diameter) in sand pour bed in exact location where rack will be installed. Make sure top of sleeve is at same level as desired finished concrete surface. Fill sleeve with sand to keep it in place and prevent it from filling with concrete.

2



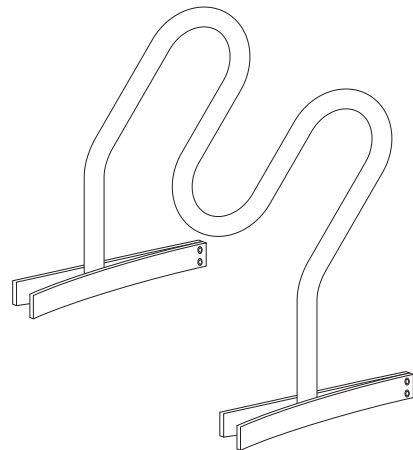
Pour concrete and allow to cure.

3



After appropriate cure time, dig out sand from sleeves and insert racks, making sure they are level and at the appropriate height. Pour in Super Por-Rok or epoxy grout and allow to set.

TIP



An easy way to brace the rack while the grout sets is to bolt two 1x4" boards together at one end and clamp them onto the rack like a clothes pin.

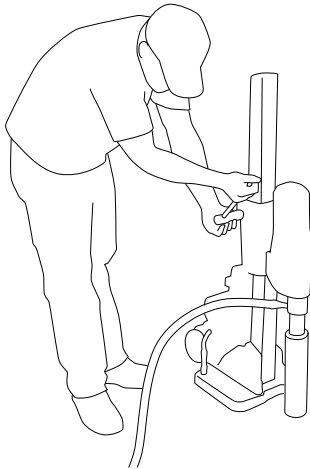


TOOLS NEEDED

Level
Cement mixing tub
Shovel
Access to water hose

Trowel
Hole coring machine with 5" bit
Materials to build brace (see "Install Tip" at bottom of page)

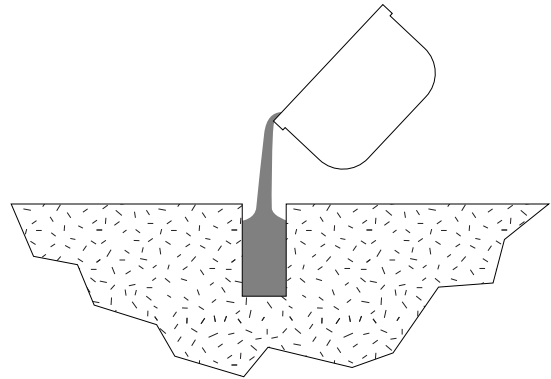
1



Ø 4" min.
↓ 10" min.

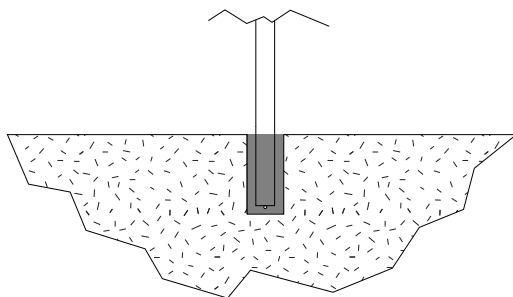
Core holes no less than 4" diameter and no less than 10" deep into sidewalk.

2



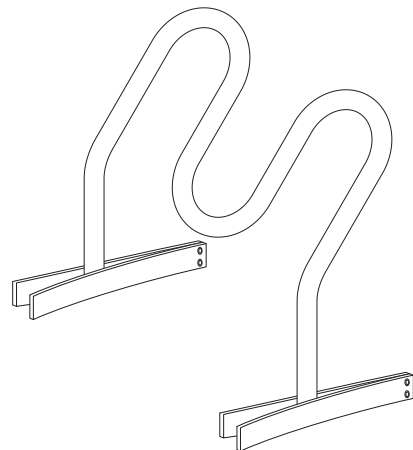
Fill holes with Super Por-Rok or epoxy grout.

3



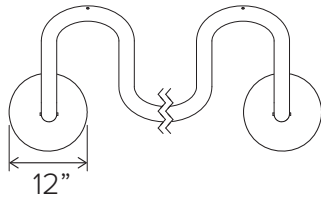
Place rack into holes, making sure the rack is level until the grout has set.

TIP



An easy way to brace the Hi Roller while the grout sets is to bolt two 1x4" boards together at one end and clamp them onto the legs of the rack like a clothes pin.

IN-GROUND MOUNT



SURFACE MOUNT

