



DERO
A PLAYCORE Company



Fat Bike Tray

The Dero Fat Bike Tray provides a wider channel to accommodate bikes with a larger tire size like fat bikes (up to 5" wide).

Best used as lower trays of the Dero Decker™.

Fat Bike Tray



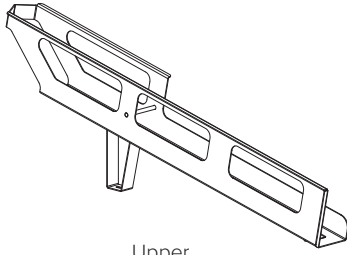
FINISH OPTIONS

Galvanized

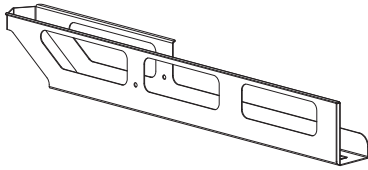


Powder Coat

 White	 Black	 Light Gray RAL 7042	 Deep Red RAL 3003	 Yellow RAL 1023
 CNH Bright Yellow	 Orange RAL 2004	 Beige RAL 1001	 Iron Gray RAL 7011	 Hunter Green RAL 6005
 Light Green RAL 6018	 Green RAL 6016	 Sepia Brown RAL 8014	 Blue RAL 5005	 Sky Blue RAL 5015
 Dark Purple	 Flat Black	 Wine Red RAL 3005	 Bronze	 Silver RAL 9007



Upper



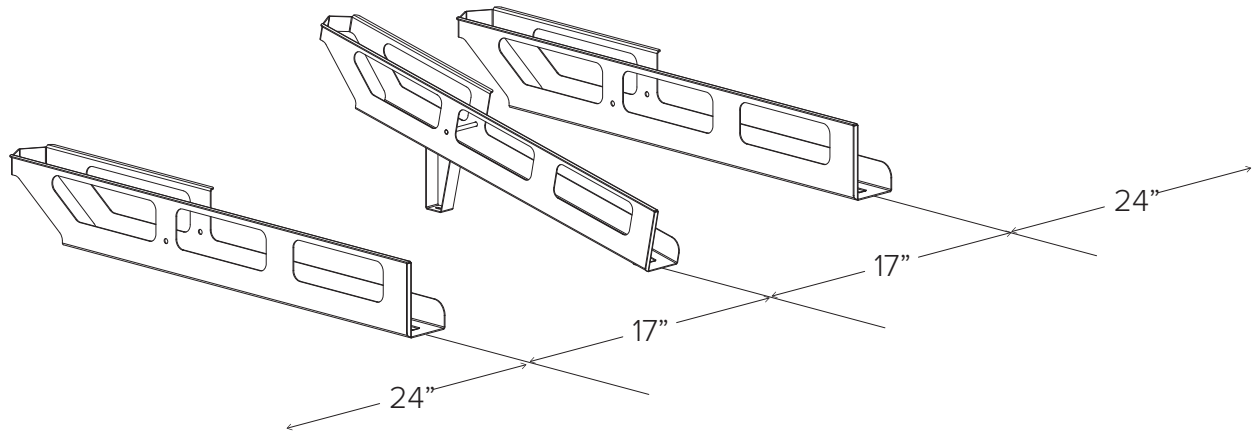
Lower

CAPACITY 1 Bike per tray

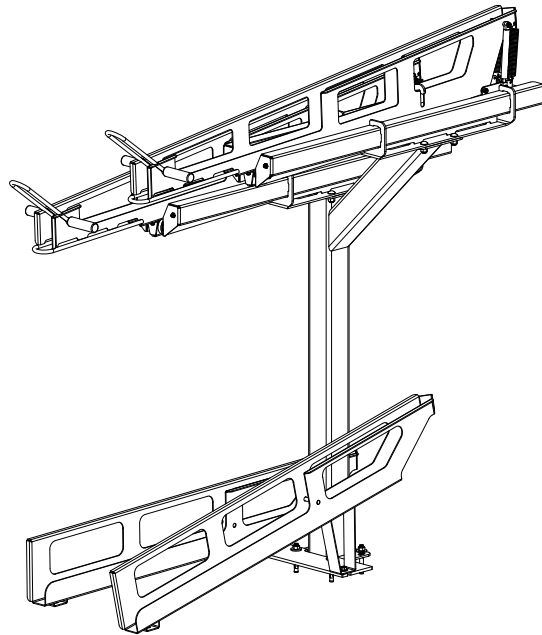
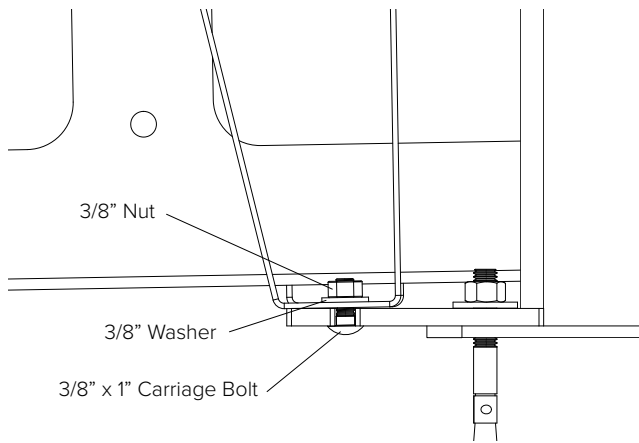
MATERIALS Trays: 4" 11g Plate

-
- FINISHES**
- Galvanized**
An after fabrication hot dipped galvanized finish is our standard option.
 - Powder Coat**
Our powder coat finish assures a high level of adhesion and durability by following these steps:
 1. Sandblast
 2. Epoxy primer electrostatically applied
 3. Final thick TGIC polyester powder coat

-
- MOUNT OPTIONS**
- Surface**
Two holes for 3/8" wedge anchors
 - Dero Decker**
Bolts to mounting plate on Dero Decker + one 3/8" wedge anchor



Trays should be installed at alternating heights 17" apart on center. Allow 24" spacing between tray and wall or other obstruction.



Place the bottom Lower and Upper Trays in position and secure at the rear with (1) 3/8" x 1" carriage bolt, 3/8" washer, and 3/8" nut each. Secure at the front with (1) 3/8" x 3" wedge anchor each.



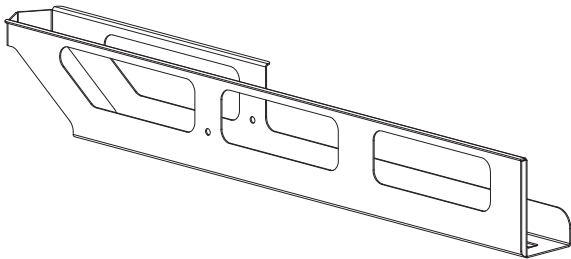
TOOLS NEEDED

Marker or Pencil
Masonry Drill Bit 3/8"
Drill (Hammer drill recommended)
Hammer
Wrench 9/16"
Level

RECOMMENDED BASE MATERIAL

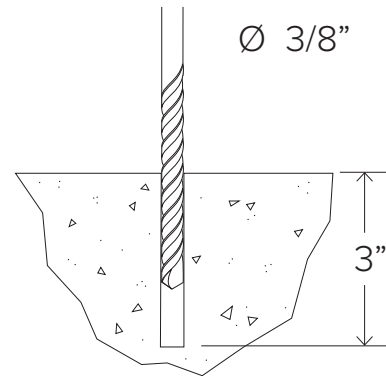
Solid concrete is the best base material for installation. To ensure the proper anchors are shipped with your rack, ask your Dero representative which anchor is appropriate for your application. Be sure nothing is underneath the base material that could be damaged by drilling.

1



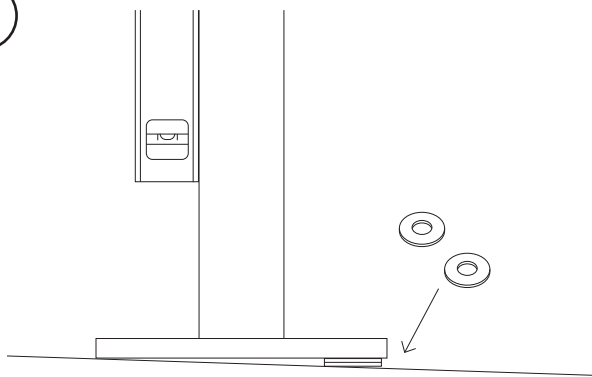
Place the rack in the desired location. Use a marker or pencil to outline the holes of the flange onto the base material.

2



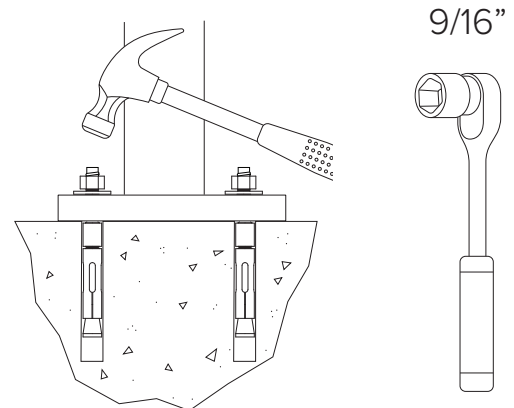
Drill 3/8" diameter holes 3" deep into surface. Make sure the holes are at least 3" away from any cracks in the base material.

3



Place rack (and washers to level rack if necessary) over holes.

4



Thread nuts onto anchors, leaving approximately 1/4" of the anchor protruding, and tap into surface. Tighten nuts down to secure rack.