



THE LEADERS IN RECREATION, FITNESS, AND ABILITY!

9889 Garrymore Ln  
Missoula, MT 59808

888-687-3552 | +1-406-549-0769

[www.aquacreek.com](http://www.aquacreek.com)

# PRO WAVE

## POOL BIKE

**PART #: F-PWVTB-00**

### **MANDATORY**

LEAVE THIS MANUAL WITH BIKE OWNER

Read and follow all instructions.  
Bike safety can only be ensured if the bike is  
assembled and operated according to these  
instructions.

- NEVER permit children to play on or around the bike.
- Optimal use in water depth of 3.5 to 5 feet (1 to 1.5 meters).
- For safety reasons, NEVER exercise alone in the water.



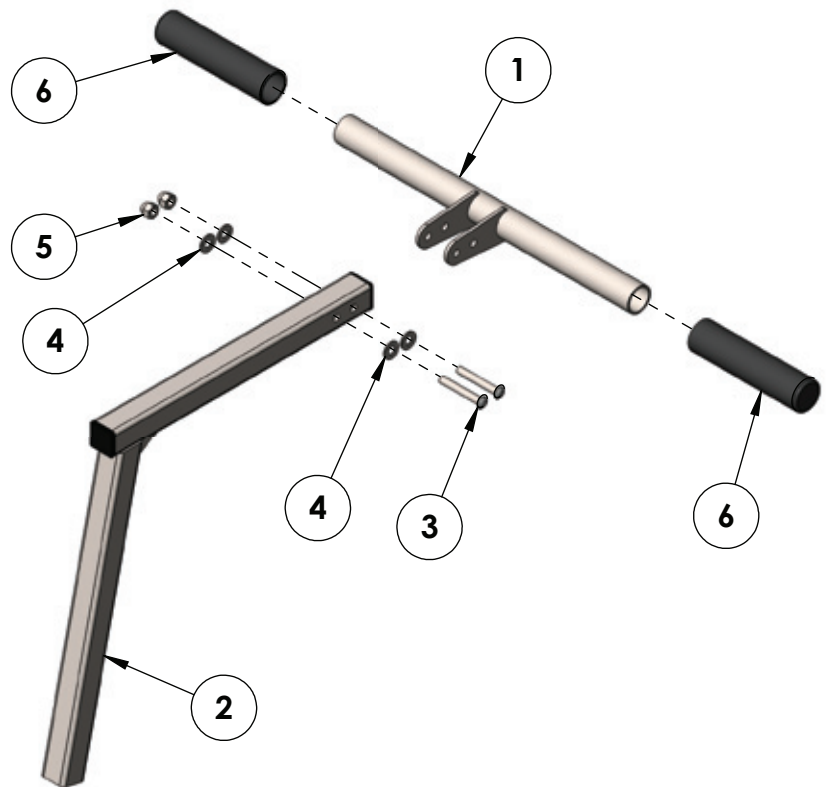
# ProWave Training Bar

## Table of Contents

PAGE	DESCRIPTION
2	Training Bar Components
3-5	Assembly Instructions
6	Warranty

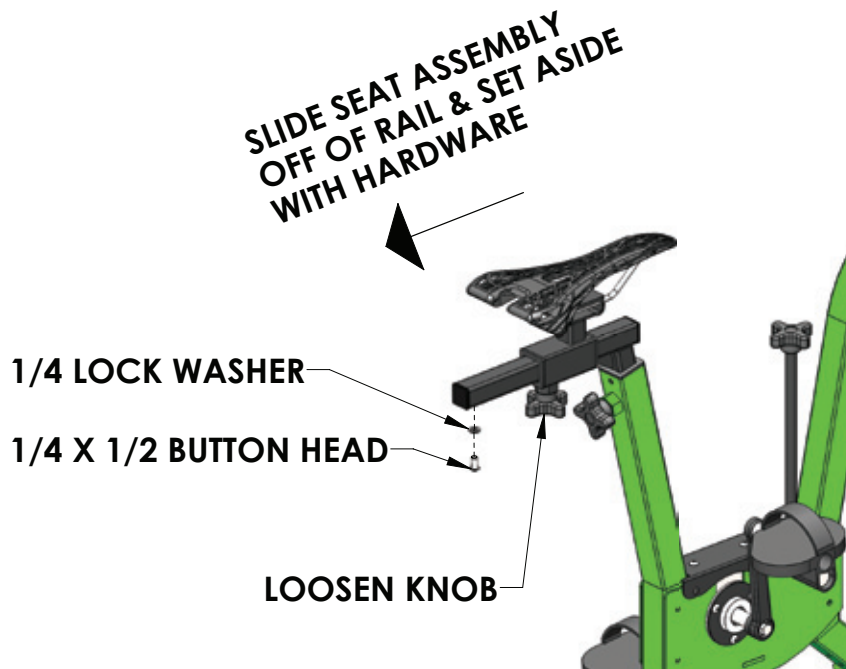
## Training Bar Components

1. TRAINING BAR WELDMENT
2. SEAT & TRAINING BAR CONNECTION ASSEMBLY
3. 1/4 X 1-3/4 BUTTON HEAD (2)
4. 1/4 FLAT WASHER (4)
5. 1/4 ACORN NUT (2)
6. RUBBER HAND GRIP (2)
7. DIELECTRIC GREASE PACKET



# Training Bar Assembly Instructions

1. Remove the 1/4" button head and lock washer from the bottom of the seat rail. Loosen the adjustment knob on the seat assembly and slide the seat off of the rail. Set the seat assembly and hardware off to the side.

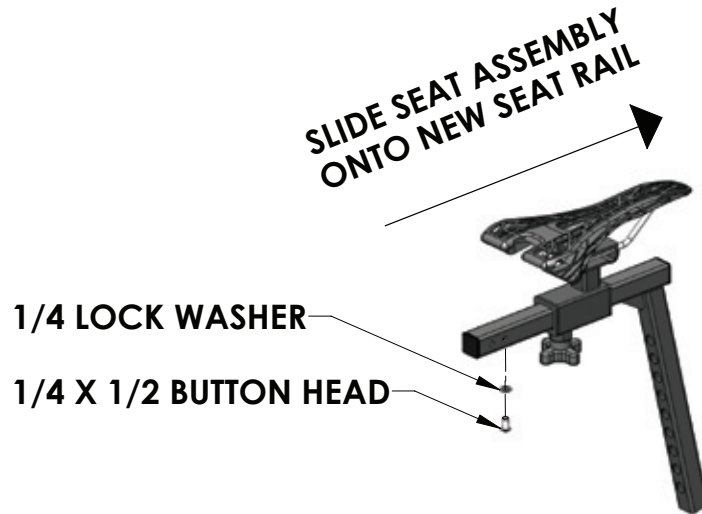


2. Loosen the adjustment knob on the main frame and remove the seat rail assembly from the main frame.

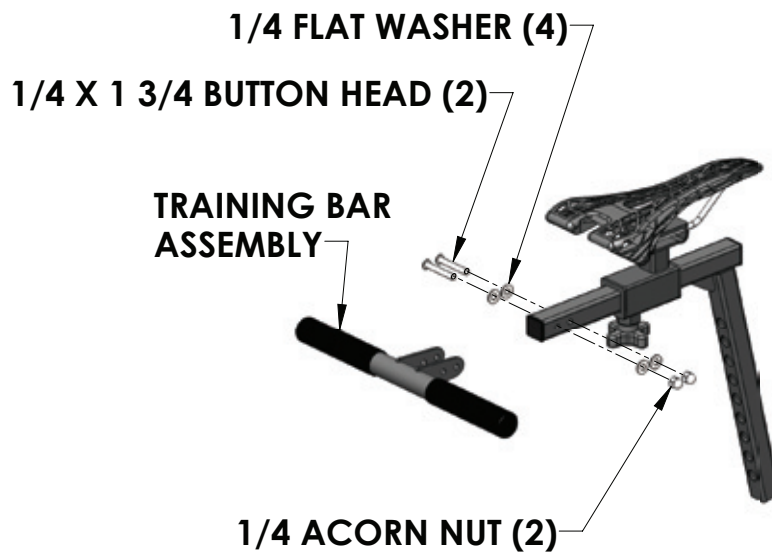


# Training Bar Assembly Instructions

**3.** Slide the seat assembly onto the new seat rail and tighten in place. Install the safety 1/4" button head and lock washer into the bottom of the seat rail.

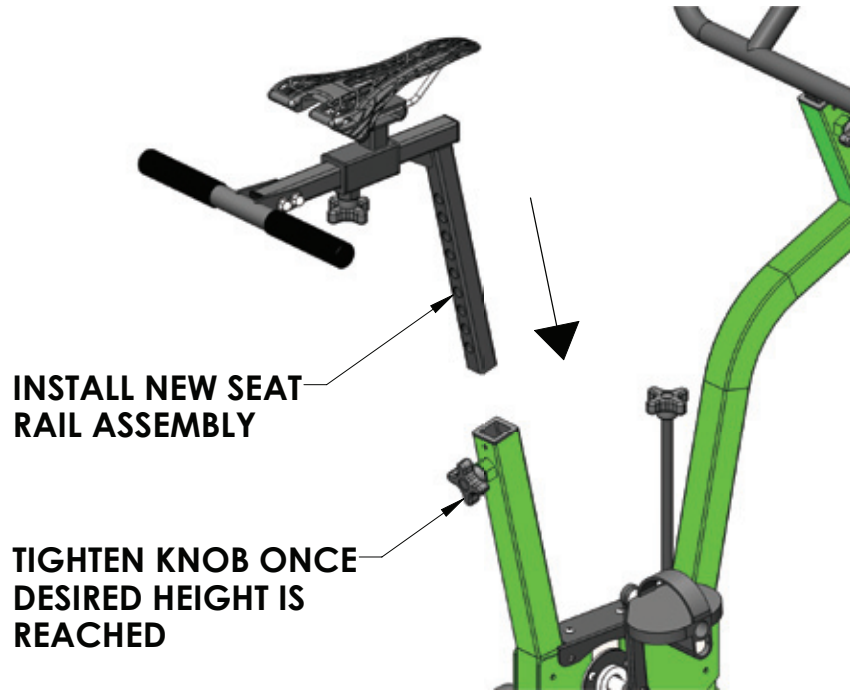


**4.** Attach the training bar assembly to the seat rail using the supplied 1/4" hardware as show below.



# Training Bar Assembly Instructions

**5.** Slide the new seat rail assembly into the main frame and tighten the adjustment knob once the desired seat height is reached.



## **Aqua Creek Products, LLC - Limited 1 Year Warranty:**

### **ProWave Training Bar**

*(Aqua Creek Product Number: F-PWVTB)*

Aqua Creek Products Wheelchair Attachments have a **Limited 1-year Warranty**, not including wear components. Aqua Creek Products, LLC (a.k.a. Aqua Creek) warrants to the original end user that all non-wear components when properly assembled in accordance with assembly and installation instructions, and properly used and maintained, shall be free from defects in material and workmanship for a period of **one (1) year** from the date of original purchase, provided that Aqua Creek receives prompt notice in writing of any defect or failure and satisfactory proof thereof.

This warranty specifically excludes reimbursement for labor to remove, repair, or install the product and any freight charges. These warranties do not cover any damages due to accident, force majeure, act of nature, misuse, abuse, negligence or failure to properly maintain any products, or normal wear and tear from day to day operations. In the event that any products are altered, repaired, or improperly installed or improperly used by anyone without the prior written approval by Aqua Creek, all warranties are void. **IMPORTANT: AMOUNT OF WEIGHT PLACED ON PRODUCT SHALL NOT EXCEED ITS RATED CAPACITY.** It is the responsibility of the product owner to verify the weight of the patron for warranty claim purposes and to ensure that the product is not overloaded. Non-payment for product to Aqua Creek may void warranty

Excluded wear components include but are not limited to; safety straps, pads, cables, and buckles as well as other components that do wear with normal daily use.

To initiate a warranty claim, the owner of an Aqua Creek product must provide the place of purchase, in writing, with a full description of the product, its serial number, the dates of purchase and installation, and the exact nature of the defect. Within thirty (30) days after receipt of a written warranty claim by Aqua Creek, and barring any unforeseen delays, the place of purchase will be notified of Aqua Creek's decision regarding the claim.

If requested by Aqua Creek, any defective product must be returned, freight prepaid by customer, to Aqua Creek's designated factory location or duly appointed distributor for inspection and/or repair. Aqua Creek will, at its option, repair or replace the failed or defective item, and deliver the repaired product or replacement to the customer. All freight charges are the responsibility of the customer. Products returned to Aqua Creek for which Aqua Creek provides replacement under this limited warranty shall become the property of Aqua Creek. A new warranty period shall **NOT** be established for the repaired or replaced products. Such products shall remain under warranty only for the remainder of the original warranty period on the original products purchased.

This written limited warranty constitutes the final, complete and exclusive statement of warranty terms. No person or organization is authorized to make any other specific or implied warranties or representations on behalf of Aqua Creek.

**THE WARRANTIES SET FORTH HEREIN ARE IN LIEU OF ALL OTHER WARRANTIES, EXPRESSED OR IMPLIED, WHICH ARE HEREBY DISCLAIMED AND EXCLUDED, INCLUDING WITHOUT LIMITATION ANY WARRANTY OF MERCHANTABILITY OR FITNESS FOR A PARTICULAR PURPOSE OR USE.**

**THE SOLE AND EXCLUSIVE REMEDIES FOR BREACH OF ANY AND ALL WARRANTIES WITH RESPECT TO THE PRODUCTS SHALL BE LIMITED TO REPAIR OR REPLACEMENT AT AQUA CREEK'S DESIGNATED FACTORY LOCATION, OR DULY APPOINTED DISTRIBUTOR, OR IN PLACE AT AQUA CREEK'S OPTION. IN NO EVENT SHALL AQUA CREEK'S LIABILITY EXCEED THE ENTIRE AMOUNT PAID TO AQUA CREEK BY THE ORIGINAL PURCHASER FOR THE FAILED OR DEFECTIVE PRODUCT.**

**IN NO EVENT SHALL AQUA CREEK PRODUCTS, LLC BE LIABLE FOR ANY INCIDENTAL, CONSEQUENTIAL, SPECIAL, INDIRECT, PUNITIVE OR EXEMPLARY DAMAGES OR LOST PROFITS FROM ANY BREACH OF THIS LIMITED WARRANTY OR OTHERWISE.**

**THIS WARRANTY GIVES YOU SPECIFIC LEGAL RIGHTS AND YOU MAY ALSO HAVE OTHER RIGHTS, WHICH MAY VARY FROM STATE TO STATE. SOME STATES DO NOT ALLOW THE EXCLUSION OR LIMITATION OF INCIDENTAL, SPECIAL OR CONSEQUENTIAL DAMAGES, SO SOME OF THE ABOVE LIMITATIONS OR EXCLUSIONS MAY NOT APPLY TO YOU.**

**Aqua Creek Products, LLC  
9889 Garrymore Lane  
Missoula, MT 59808  
Toll Free: (888) 687-3552  
Local/Intnl: (406) 549-0769  
www.aquacreek.com**