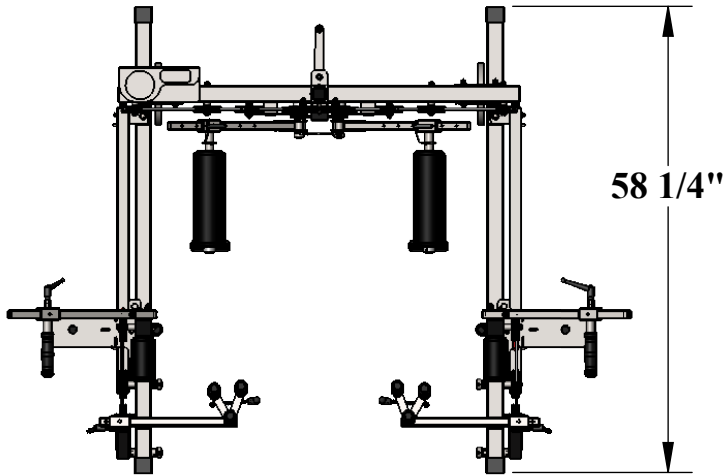
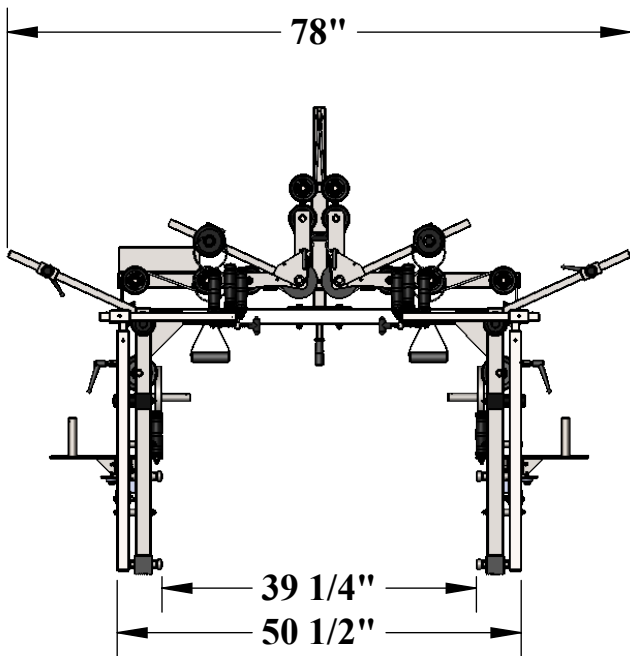
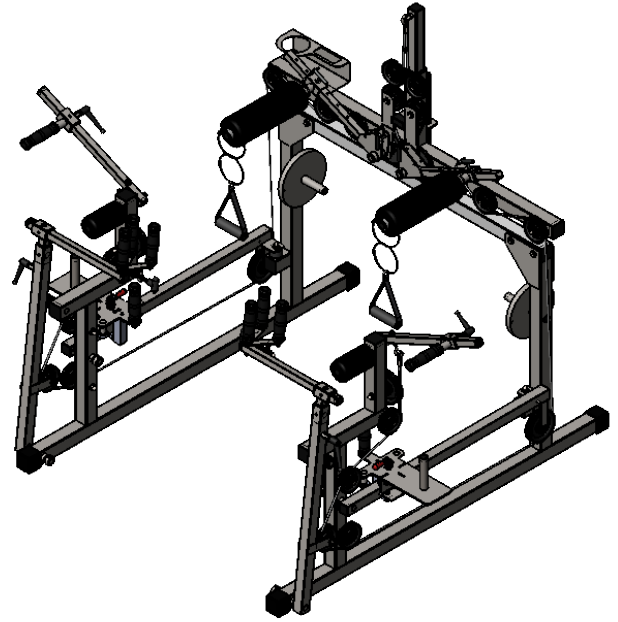


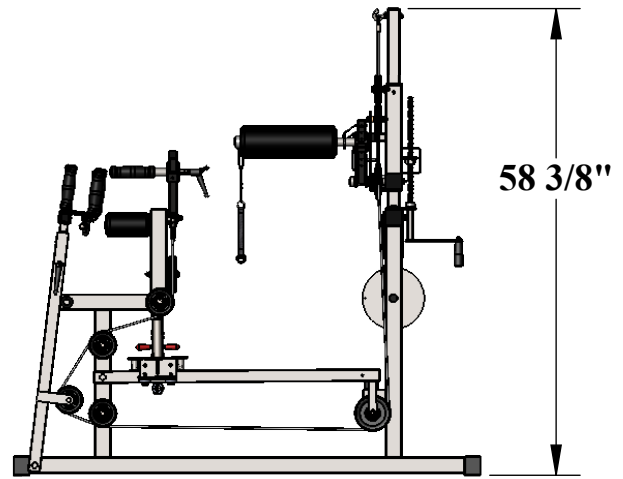
PROTONE SPEC SHEET



OVERHEAD VIEW



FRONT VIEW



SIDE VIEW

SPECIFICATIONS:

MATERIAL: 304 STAINLESS STEEL

FINISH: WHITE POWDER COAT

PRODUCT WEIGHT: 202 LBS

WARRANTY: 3 YEAR STRUCTURE (NOT INCLUDING POWDER COAT FINISH)

1 YEAR ALL MOVING PARTS

SHIPS TRUCK FREIGHT IN THREE BOXES WITH SOME ASSEMBLY REQUIRED



9889 GARRYMORE LANE
 MISSOULA, MT 59808
 (406) 549-0769
 FAX (406) 549-2602

NOTE:
 *SPECIFICATIONS ARE SUBJECT TO CHANGE WITHOUT NOTICE

PRODUCT:		PROTONE	
PART #:		F-PTN	
SCALE:	1:24	DATE:	11/10/2020
DRAWN BY:	KR	REVISION:	00