

# Scout Sling Attachment

**PART #: F-806SLS**

375 LB. [170 kg] MAXIMUM WEIGHT CAPACITY  
MAXIMUM SETBACK: 34"

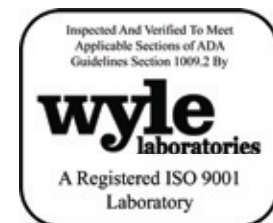
## **MANDATORY**

LEAVE THIS MANUAL WITH LIFT OWNER



Read and follow all instructions.  
Lift safety can only be ensured if installed and operated  
according to these instructions.

- NEVER permit children to play on or around the lift
- Do not allow children to use the lift without adult supervision
- NEVER apply direct water pressure to the electronics
- NEVER use the lift with a dry pool



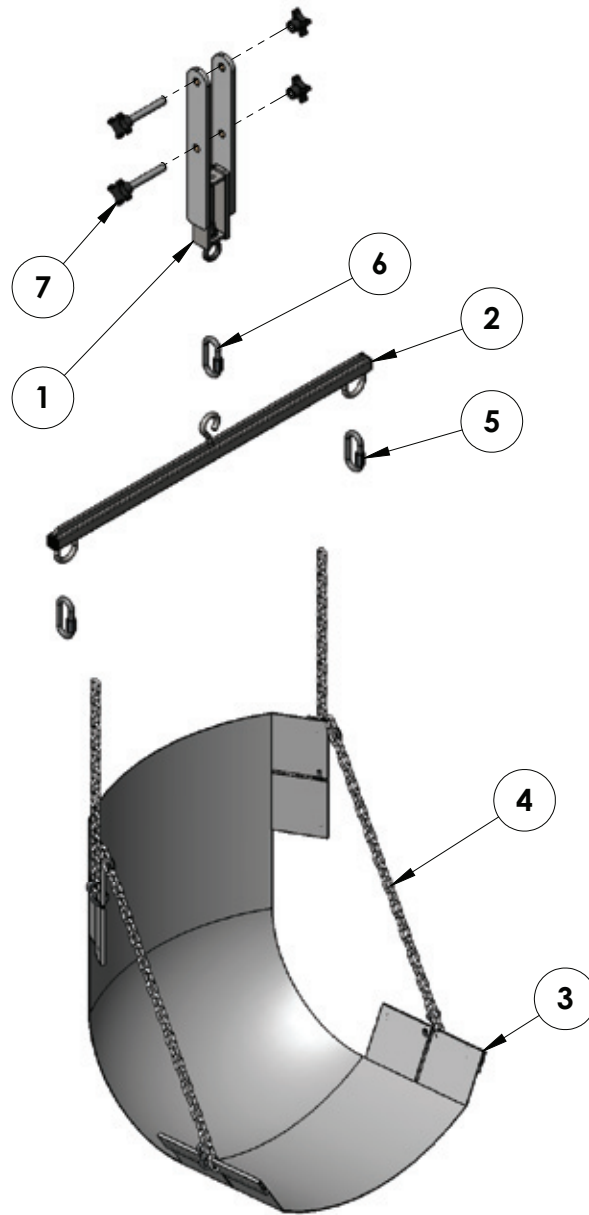
## **READ CAREFULLY**

Check entire box and all packing materials for parts. Before beginning assembly, read the instructions and identify parts using the figures and parts listed in this document.

It is critical that all parts be carefully inspected prior to installation. If any damage occurred in transit, Aqua Creek Products, LLC must be notified within three days of receipt of unit.

Proper installation cannot be overstressed, as an improper installation voids Aqua Creek's warranty and may affect the safety of the user.

# Scout Sling Attachment Parts List



ITEM #	QTY	PART #	DESCRIPTION
1	1	REV-700S-40	SLING CHAIR ARM ASEMBLY, REVOLUTION
2	1	F-030EZHB	HANGER BAR
3	1	F-032EZSB	STANDARD SLING ASSEMBLY
4	1	F-031EZCH	STANDARD CHAIN SET
5	2	QUICK LINK, 9/32"	QUICK LINK, 9/32", SS
6	1	QUICK LINK, 3/8"	QUICK LINK, 3/8", SS
7	2	F-QAB	BOLT, QUICK ATTACH

# Scout Sling Attachment Instructions

Attach the sling seat assembly to the lift by connecting the two (2) quick-attach bolts and knobs to the lifting arm and the control arm of the Scout lift. See the diagram below.

