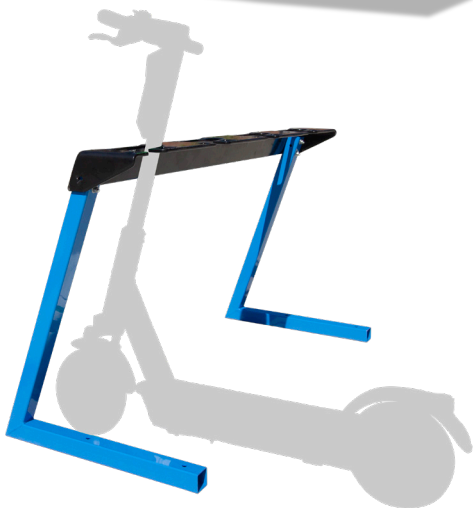




**DERO**  
A PLAYCORE Company



## **E-Scooter** Rack

Declutter sidewalks and create orderly parking for electric scooters. The E-Scooter Rack accommodates numerous scooter models, with its unique tapered openings (four per rack). The rubber coated top plate also protects scooters and provides extra grip for parking stability.

Patent Pending

# E-Scooter Rack



- Accommodates numerous electric scooter models
- Unique tapered openings in top plate securely hold e-scooters
- Black rubber coated top plate protects scooters and provides extra hold grip
- Use freestanding or anchored to the ground
- Numerous locking points
- Durable hot-dip galvanized coating on uprights
- Minimal assembly and ships flat
- Custom logo branding is available upon request
- Not suitable for bike parking



## FINISH OPTIONS FOR UPRIGHTS

### Galvanized



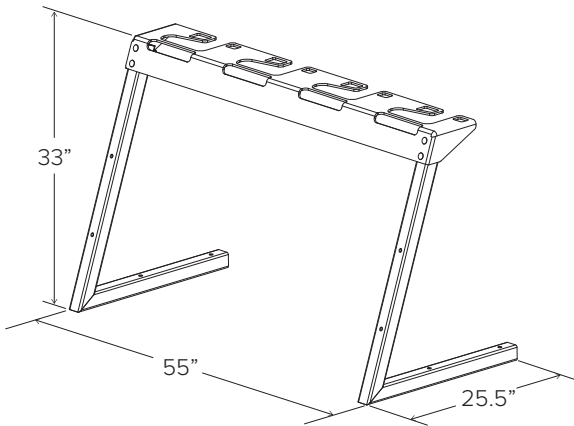
### Powder Coat



## CROSSPIECE FINISH

### PVC Dip





---

**CAPACITY** 4 Scooters

---

**MATERIALS** **Frame tube:** 2" 11g square tube  
**Top plate:** 1/4" plate with black rubber coating

---

**FINISHES  
(Frame)**



**Galvanized**

An after fabrication hot dipped galvanized finish is our standard option.



**Powder Coat**

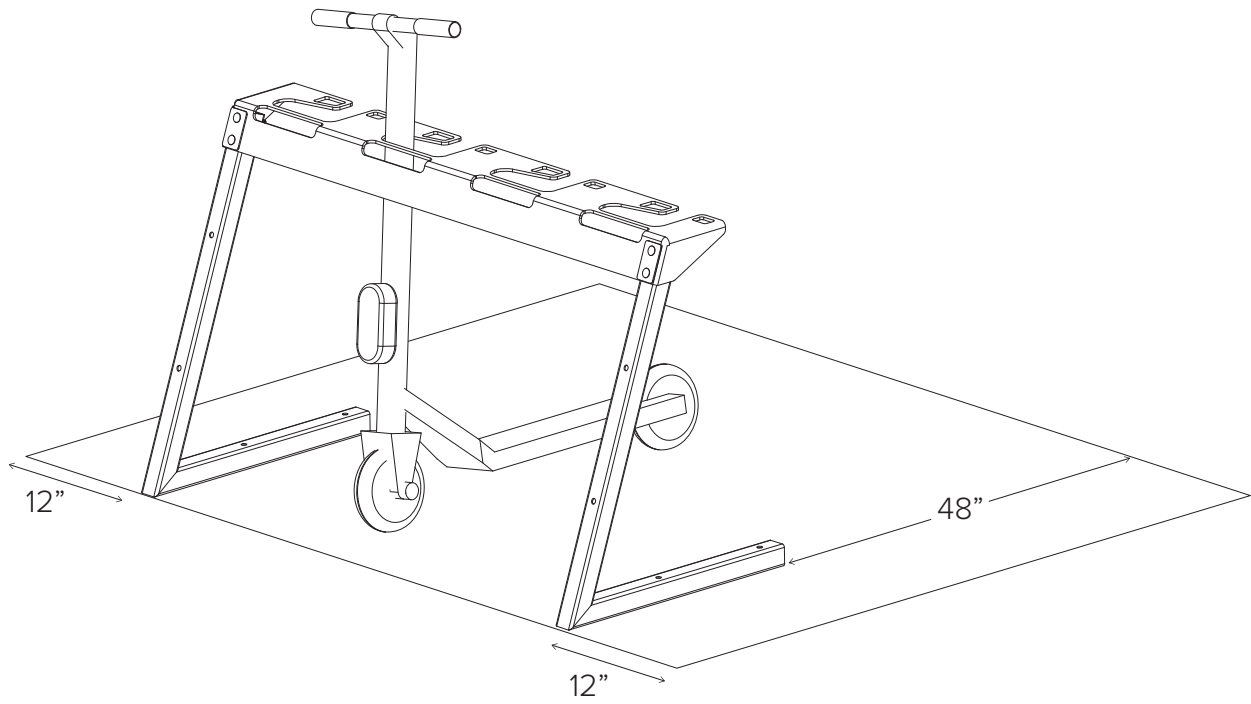
Our powder coat finish assures a high level of adhesion and durability by following these steps:

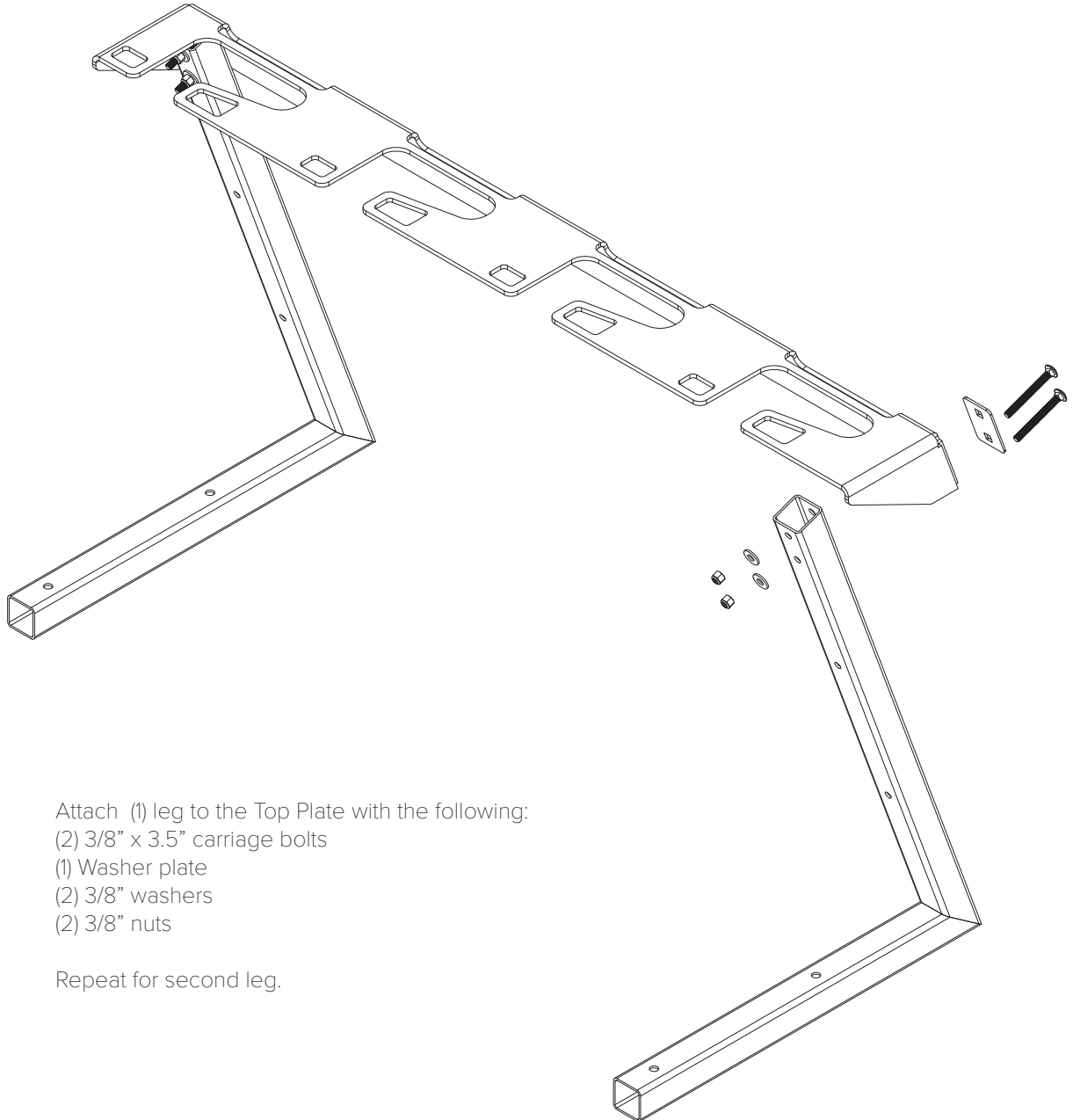
1. Sandblast
  2. Epoxy primer electrostatically applied
  3. Final thick TGIC polyester powder coat
- 

**MOUNT  
OPTIONS**

**Surface**

Rack may be left freestanding, or each frame tube accepts (2) 3/8" anchors.





Attach (1) leg to the Top Plate with the following:

- (2) 3/8" x 3.5" carriage bolts
- (1) Washer plate
- (2) 3/8" washers
- (2) 3/8" nuts

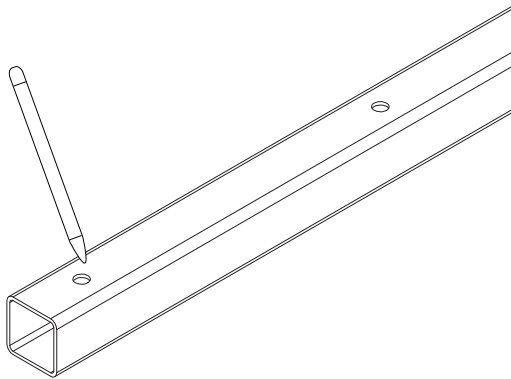
Repeat for second leg.


**TOOLS NEEDED**

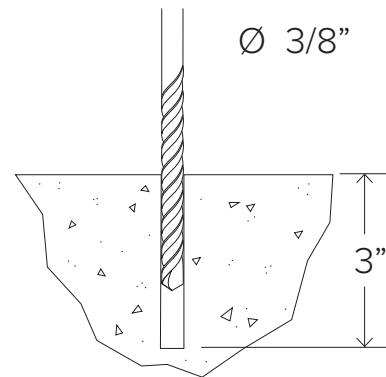
Tape Measure  
 Marker or Pencil  
 Masonry Drill Bit  
 Drill (Hammer drill recommended)  
 Hammer  
 Wrench 9/16"  
 Level  
 Washers (for leveling if necessary)

**RECOMMENDED BASE MATERIAL**

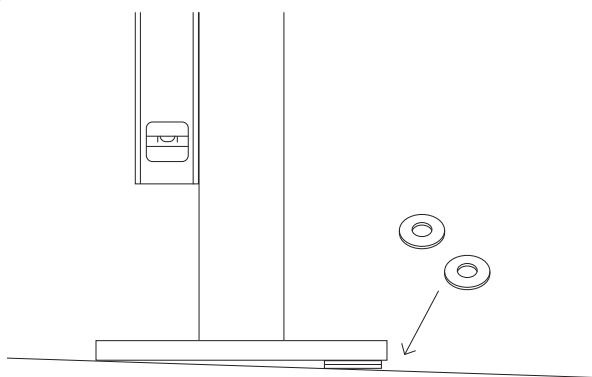
Solid concrete is the best base material for installation. To ensure the proper anchors are shipped with your rack, ask your Dero Rack representative which anchor is appropriate for your application. Be sure nothing is underneath the base material that could be damaged by drilling.

**1**


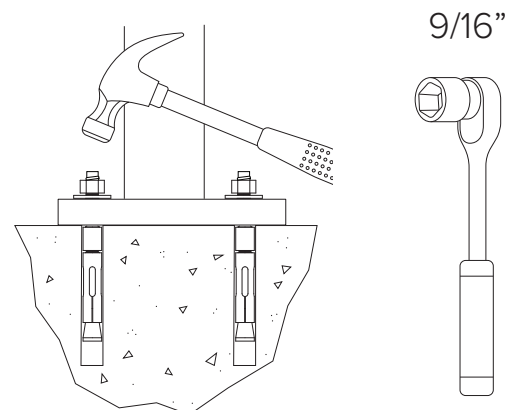
Place the rack in the desired location. Use a marker or pencil to outline the anchoring holes onto the base material.

**2**


Drill 3/8" diameter holes 3" deep into surface. Make sure the holes are at least 3" away from any cracks in the base material.

**3**


Place rack (and washers to level rack if necessary) over holes.

**4**


Thread nuts onto anchors, leaving approximately 1/4" of the anchor protruding, and tap into surface. Tighten nuts down to secure rack.