



DERO
A PLAYCORE Company



Downtown Rack

The Downtown Rack uses thick, square-tube construction that can't be cut with a pipe cutter. The extended width of the Downtown Rack makes for easy bike parking by giving the bike full support and multiple locking points for a u-style bike lock.

Downtown Rack



YOUR **LOGO** HERE



Customize the Downtown Rack to brand your bike parking!

FINISH OPTIONS

Galvanized



Stainless

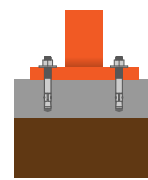


Powder Coat



MOUNT OPTIONS

Surface

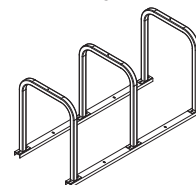


In-Ground

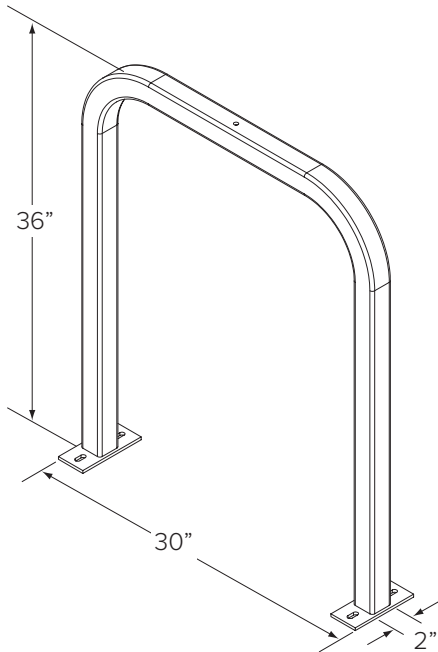


Tamper-resistant fasteners available upon request

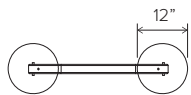
Rail



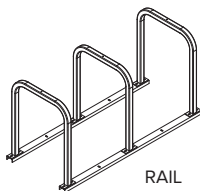
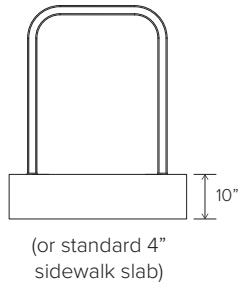
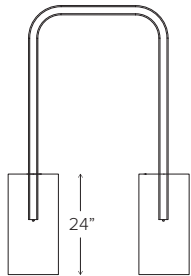
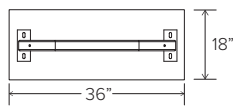
OPTIONAL LEAN BAR



IN-GROUND MOUNT



SURFACE MOUNT



CAPACITY 2 Bikes

MATERIALS 2" x 2" x .188" square tube - mild steel
 2" x 2" x .120" square tube - stainless steel

FINISHES

- Galvanized**
 An after fabrication hot dipped galvanized finish is our standard option.
- Powder Coat**
 Our powder coat finish assures a high level of adhesion and durability by following these steps:
 1. Sandblast
 2. Epoxy primer electrostatically applied
 3. Final thick TGIC polyester powder coat
- Stainless**
 Stainless Steel: 304 grade stainless steel material finished in either a high polished shine or a satin finish.

MOUNT OPTIONS

- Surface**
 Foot Mount has two 2.5"x6"x.25" feet with two anchors per foot. Specify foot mount for this option. Tamper-resistant fasteners available upon request.
- In-Ground**
 In-ground mount is embedded into concrete base. Specify in-ground mount for this option
- Rail**
 Rail Mounted Downtown Racks are bolted to two parallel rails which can be left freestanding or anchored to the ground. Rails are heavy duty 3" x 1.4" x 3/16" thick galvanized mounting rails. Specify rail mount for this option.



90



45A



45B



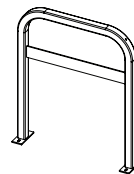
60A

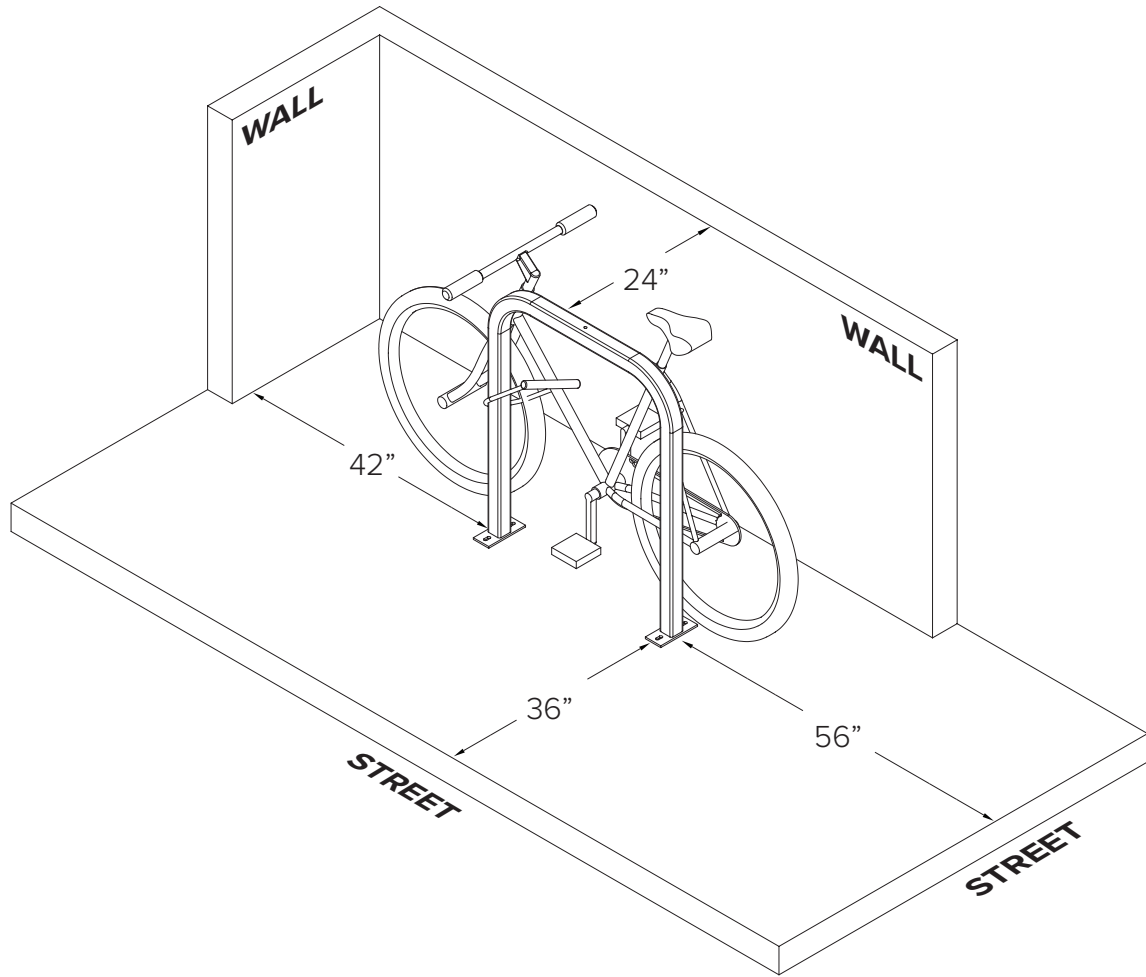


60B

OPTIONAL LEAN BAR

- Add Lean Bar**







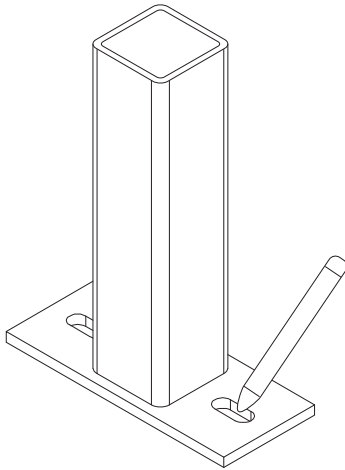
TOOLS NEEDED

- Tape Measure
- Marker or Pencil
- Masonry Drill Bit
- Drill (Hammer drill recommended)
- Hammer
- Wrench 9/16"
- Level

RECOMMENDED BASE MATERIAL

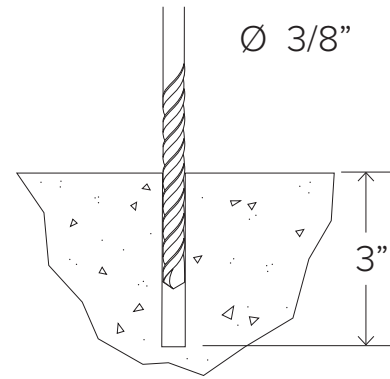
Solid concrete is the best base material for installation. To ensure the proper anchors are shipped with your rack, ask your Dero Rack representative which anchor is appropriate for your application. Be sure nothing is underneath the base material that could be damaged by drilling.

1



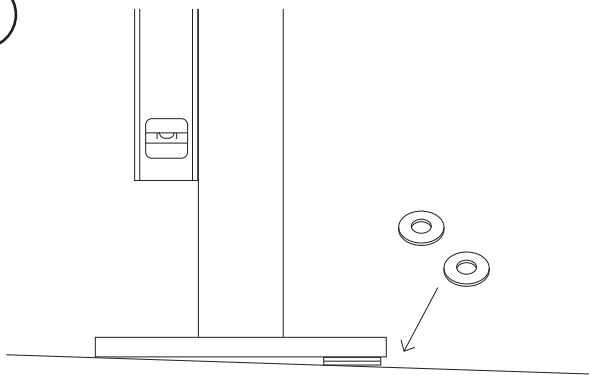
Place the rack in the desired location. Use a marker or pencil to outline the holes of the flange onto the base material.

2



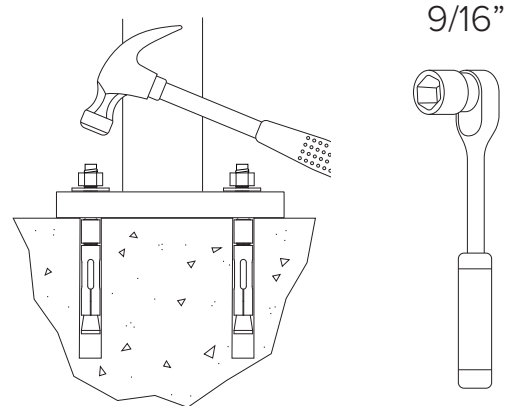
Drill 3/8" diameter holes 3" deep into surface. Make sure the holes are at least 3" away from any cracks in the base material.

3



Place rack (and washers to level rack if necessary) over holes.

4



Thread nuts onto anchors, leaving approximately 1/4" of the anchor protruding, and tap into surface. Tighten nuts down to secure rack.

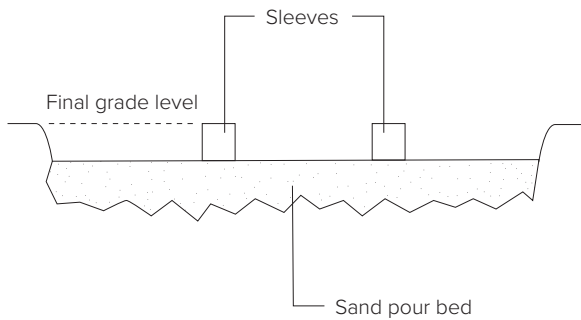


TOOLS NEEDED

Level
Cement mixing tub
Shovel

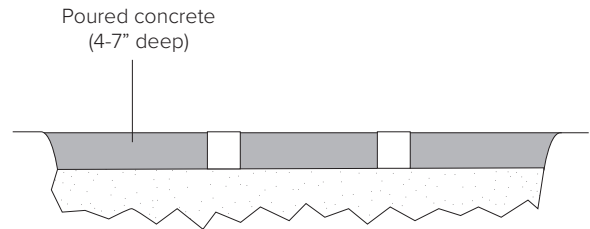
Trowel
Corrosion-Resistant Sleeve (min. 3" inside diameter)
Materials to build brace (see "Install Tip" at bottom of page)

1



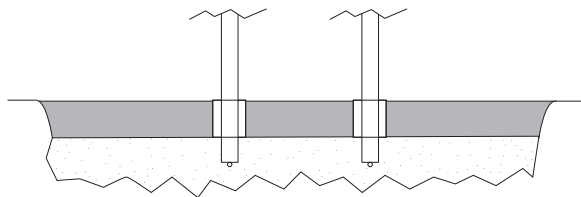
Place corrosion resistant sleeve (min. 3" inside diameter) in sand pour bed in exact location where rack will be installed. Make sure top of sleeve is at same level as desired finished concrete surface. Fill sleeve with sand to keep it in place and prevent it from filling with concrete.

2



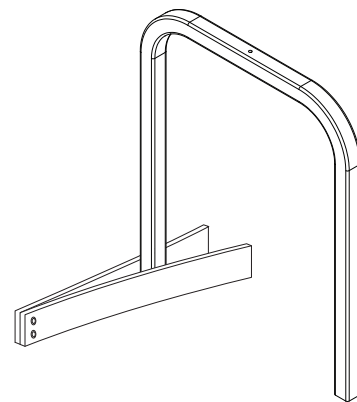
Pour concrete and allow to cure.

3



After appropriate cure time, dig out sand from sleeves and insert rack, making sure it is level and at the appropriate height. Pour in Super Por-Rok or epoxy grout and allow to set.

TIP



An easy way to brace the Downtown Rack while the grout sets is to bolt two 1x4" boards together at one end and clamp them onto the legs of the rack like a clothes pin.

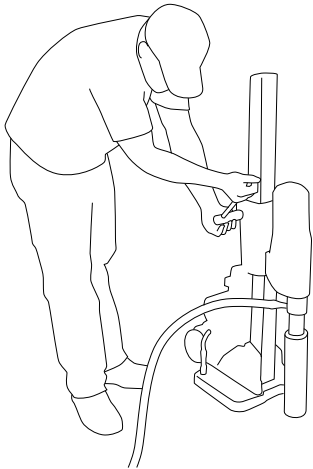


TOOLS NEEDED

Level
Cement mixing tub
Shovel
Access to water hose

Trowel
Hole coring machine with 4" bit
Materials to build brace (see "Install Tip" at bottom of page)

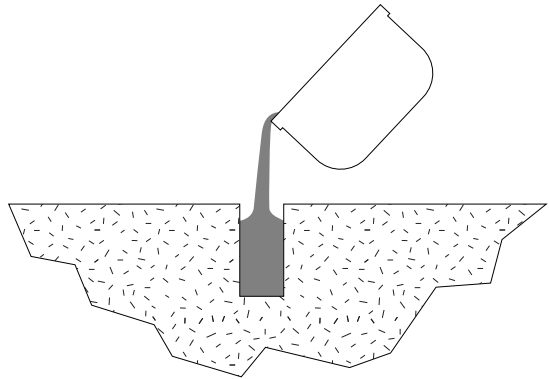
1



Ø 3" min.
↓ 10" min.

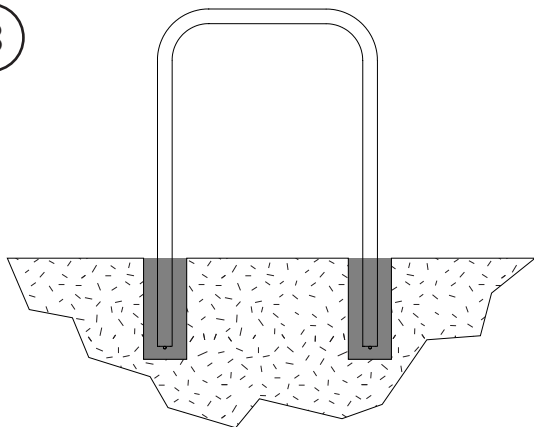
Core holes no less than 3" diameter (4" recommended) and no less than 10" deep into sidewalk.

2



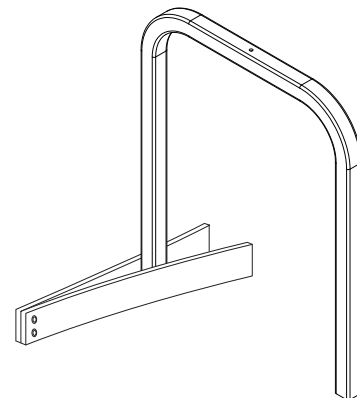
Fill holes with Super Por-Rok or epoxy grout.

3



Place Downtown Rack into holes, making sure the rack is level until the grout has set. 33"-36" of the rack should remain above the surface.

TIP



An easy way to brace the Downtown Rack while the grout sets is to bolt two 1x4" boards together at one end and clamp them onto the legs of the rack like a clothes pin.

RAIL MOUNTED OPTIONS

Rail mounted Downtown Racks are standard foot mounted Downtown Racks attached with bolts to a rail as in the diagram at left. Rail mounted racks provide more flexibility than other mounting options while providing the same degree of security.

Rail mounted Downtown Racks can be left freestanding, or they can be anchored to the ground using several anchors. This option allows for easier snow removal and sweeping. Installation of Rail mounted Hoops is also much less expensive than embedding the racks into the ground.

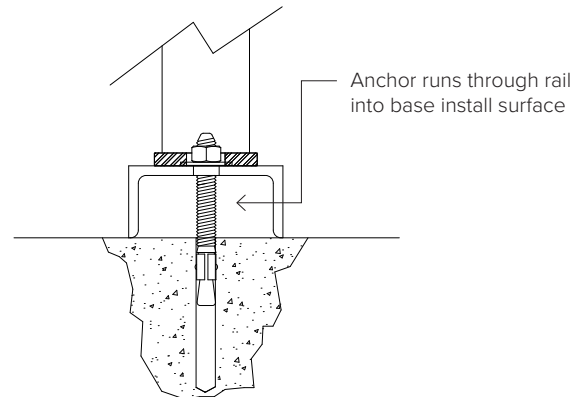
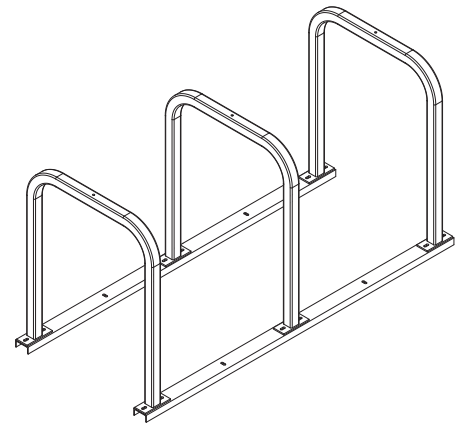
* Note: Though racks may be painted, the rails will remain with only a galvanized finish

ADVANTAGES:

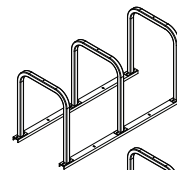
- Easier and inexpensive installation
- Can be left freestanding or anchored to the ground
- Easier to remove for sweeping and snow removal

APPLICATIONS:

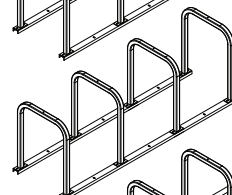
- Installation to pavers
- Asphalt Installations
- Ground, dirt, or mulch
- Situations where the rack needs to be moved occasionally



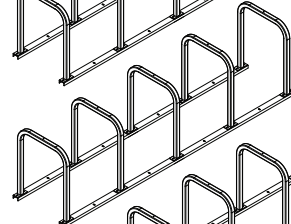
3 Unit Rack
69" Long
Parks 6 Bikes



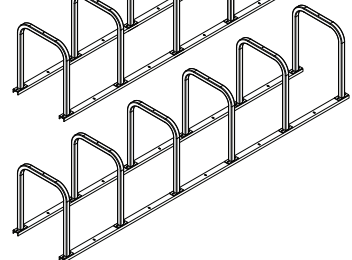
4 Unit Rack
100.5" Long
Parks 8 Bikes



5 Unit Rack
132" Long
Parks 10 Bikes



6 Unit Rack
163.5" Long
Parks 12 Bikes





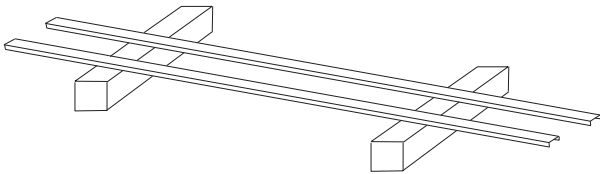
TOOLS NEEDED

9/16" Socket set
Two 4" x 4" x 28" (or larger) blocks
4 bolts, nuts and washers for every rack (included). If using a tamper resistant nuts, install two tamper resistant nuts with each rack.

ANCHORING THE RAILS

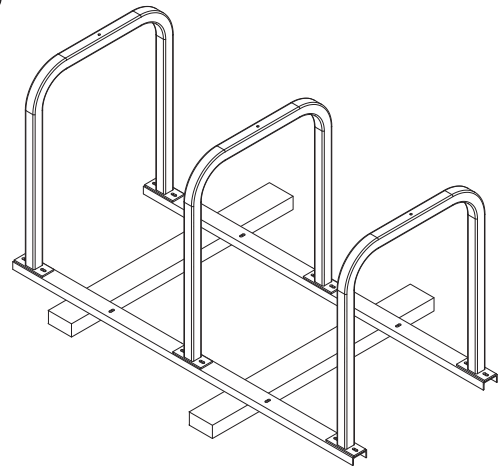
To anchor the rails to concrete, place 3.75" wedge anchor through holes in the rail into the concrete. Secure with nut.

1



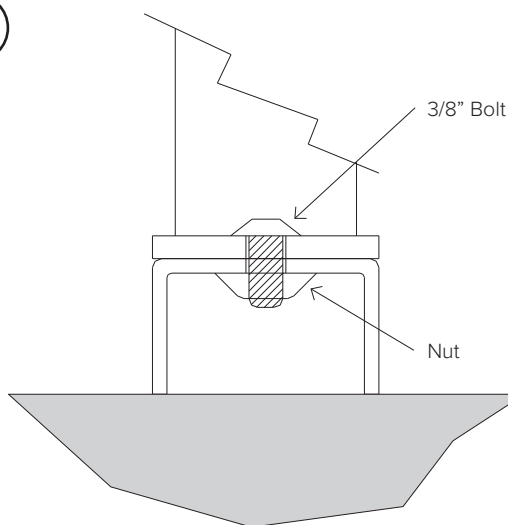
Lay out the two channel beams where the rack will be placed. Place the two beams on top of the two blocks of wood so that the open part of the channel faces the ground.

2



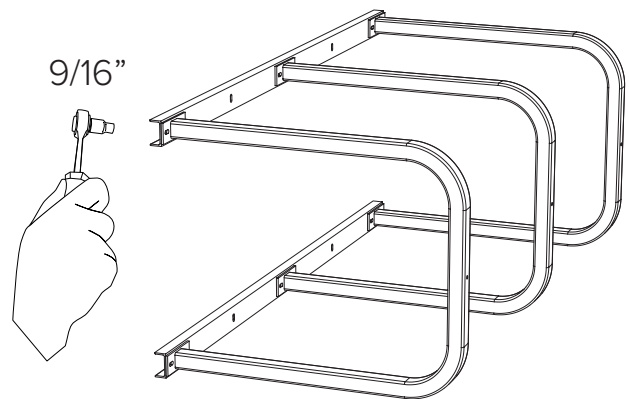
Place racks on beams so holes in rack flanges line up with beam slots

3



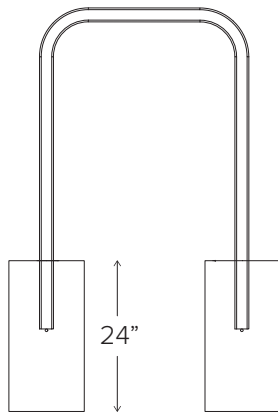
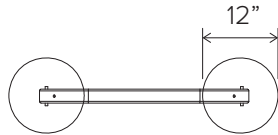
Put bolts through rack flange holes and beams so bolt head faces up. **HAND** tighten the nuts using new flange nuts.

4

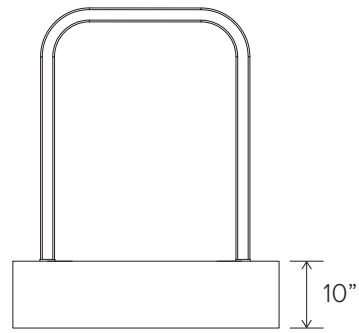
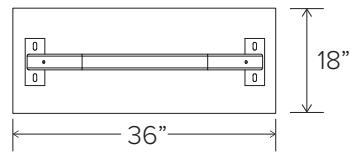


Once nuts are on, tip assembled rack over and use a 9/16" socket to tighten nuts. Before fully tightening nuts, make sure the racks are straight on beams. If using tamper resistant nuts, use access tool to tighten nuts. Do not overtighten the tamper resistant nuts. Tip rack upright.

IN-GROUND MOUNT



SURFACE MOUNT



(or standard 4" sidewalk slab)