



**DERO**  
A PLAYCORE Company



## Dero **Double Locker**

The Dero Double Locker™ is bike security at its best. Whether it's protection from weather or thieves, it is a solid choice for long-term bicycle parking. Municipalities, governments, universities, and businesses will love the sturdy steel construction with locking options that include a u-lock/padlock compatible handle or a keyed lock, while cyclists will appreciate the enclosed security and gear hooks.

# Dero Double Locker



## FINISH OPTIONS

### Galvanized

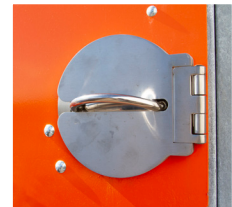


### Powder Coat



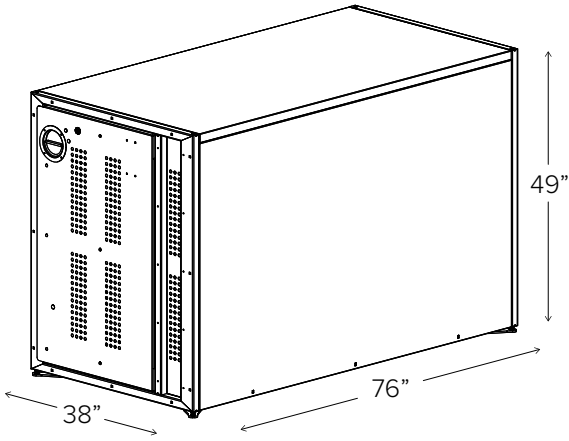
## LOCKING OPTIONS

### U-lock/Padlock Handle



### Keyed Lock






---

**CAPACITY** 2 Bikes

---

**MATERIALS**  
**Frame:** 1.50" x 3.00" x 14g tube  
**Floor:** 18g plate  
**Sides:** 18g plate  
**Doors:** 16g plate  
**Top:** 18g plate

---

**FINISHES**

**Galvanized**  
 An after fabrication hot dipped galvanized finish is our standard option. Pre-fabrication galvanizing is standard on panel components.

**Powder Coat**  
 Our powder coat finish assures a high level of adhesion and durability by following these steps:  
 1. Sandblast  
 2. Epoxy primer electrostatically applied  
 3. Final thick TGIC polyester powder coat

---

**LOAD DATA** 40 psf snow, 90 mph wind exposure B, high seismic

---

**SETBACKS** Allow a 60" clearance from door face.

---

**STANDARD**

- Leveling feet
- Floor panel
- Ventilating window on doors
- Graffiti resistant
- UV resistant
- Numbered plates
- Gear hook
- Door closer

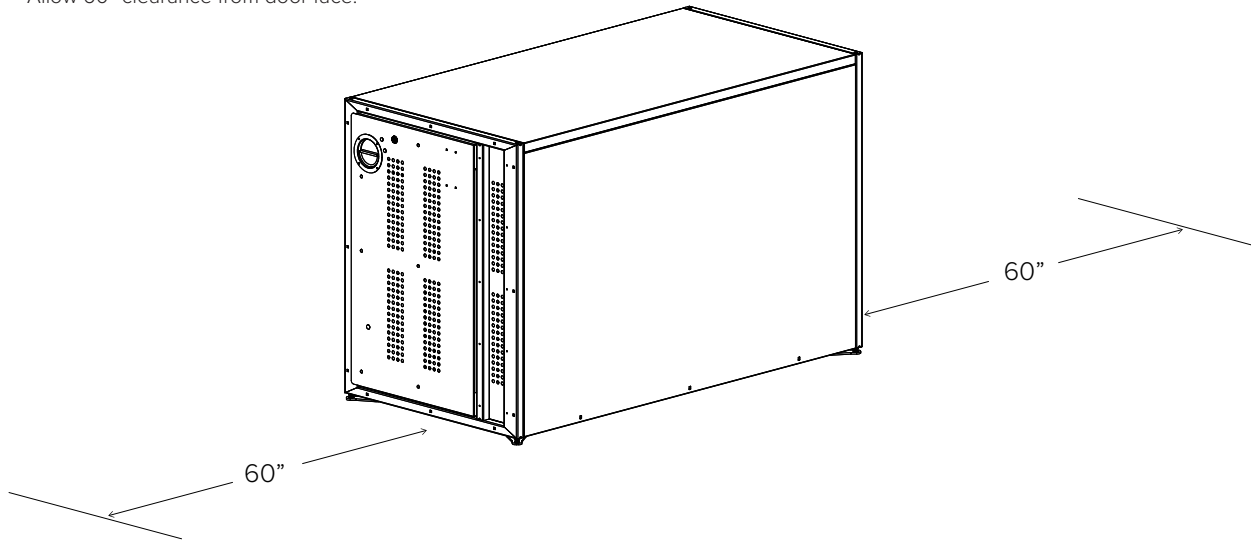
---

**LOCKING SYSTEM**

**Keyed Lock Only** (2 keys per lock)

**Padlock/U-Lock Handle**

Allow 60" clearance from door face.





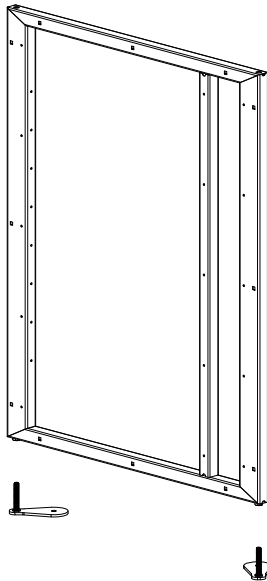
## TOOLS NEEDED

Hammer drill with 3/8" masonry bit  
 Hammer  
 Bubble level  
 Tape measure  
 3/8", 7/16", 1/2", 9/16" wrenches  
 Socket wrench  
 3/8", 7/16", 1/2", 9/16" sockets  
 Power drill  
 #3 Philips screw driver bit  
 Needle-nose pliers

## RECOMMENDED BASE MATERIAL

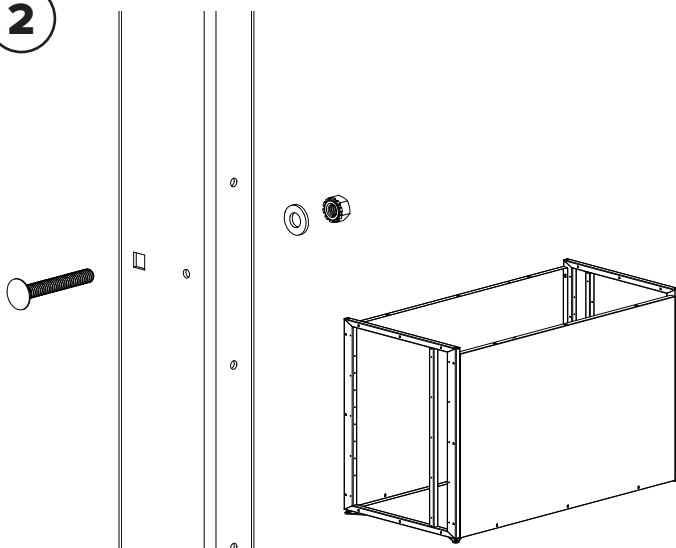
Solid concrete is the best base material for installation. To ensure the proper anchors are shipped with your locker, ask your Dero representative which anchor is appropriate for your application. Be sure nothing is underneath the base material that could be damaged by drilling.

**1**

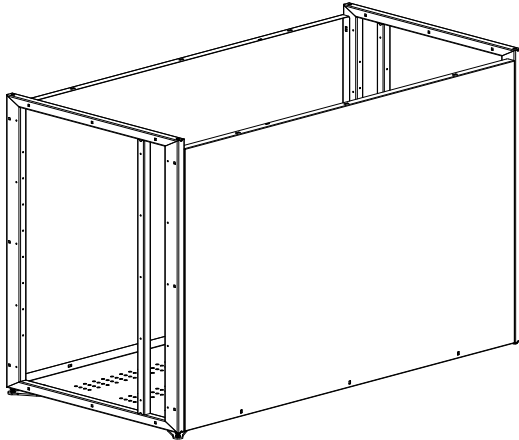


Thread (2) leveling feet into each door frame.

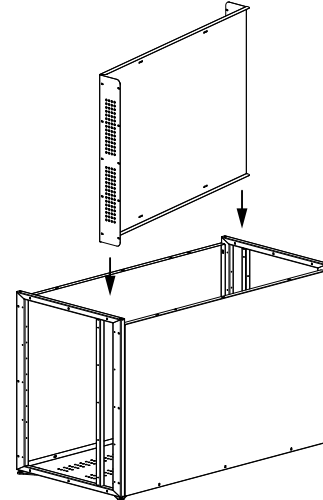
**2**



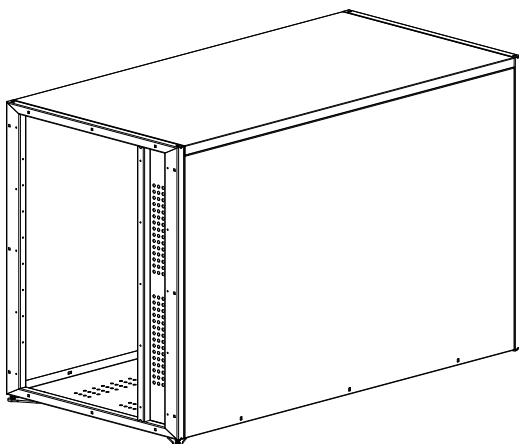
Attach (2) side panels to the (2) door frames with (12) 5/16" x 2.25" carriage bolts, washers, and locknuts. Omit the (4) bottom bolts for now. Leave locknuts finger-tight

**3**


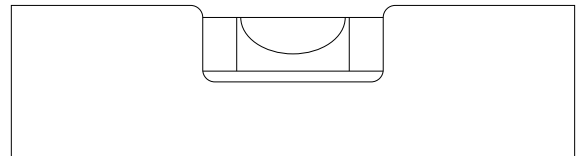
Place the floor panel in the locker and attach to the side panels with (6) 5/16" x .75" carriage bolts, washers, and locknuts. Attach to the door frames with (6) 5/16" x 2.25" carriage bolts, washers, and locknuts. Add the remaining (4) 5/16" x 2.25" carriage bolts, washers, and locknuts that attach the side panels to the door frames. Leave all locknuts finger-tight.

**4**


Place the divider panel in the locker and attach to the door frames with (20) #12 x 3/4" self-drilling screws and 1/4" washers. Pilot holes are present but may be partially filled with zinc.

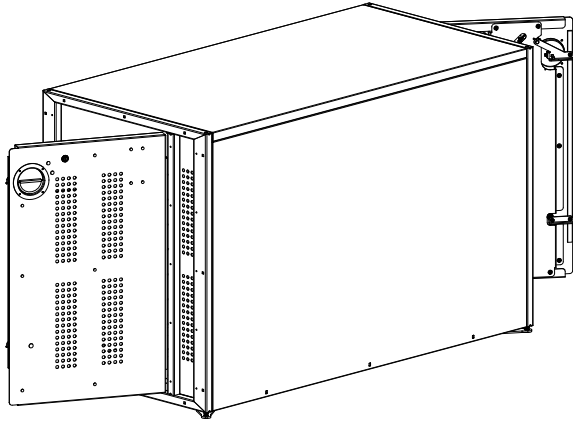
**5**


Place the roof panel on the locker and attach to the side panels with (6) 5/16" x .75" carriage bolts, washers, and locknuts. Attach to the door frames with (6) 5/16" x 2.25" carriage bolts, washers, and locknuts.

**6**


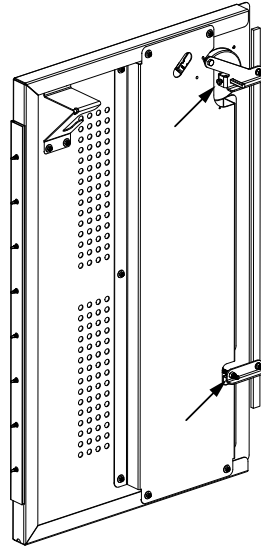
Check that the locker is level and square. Tighten all hardware.

**7**



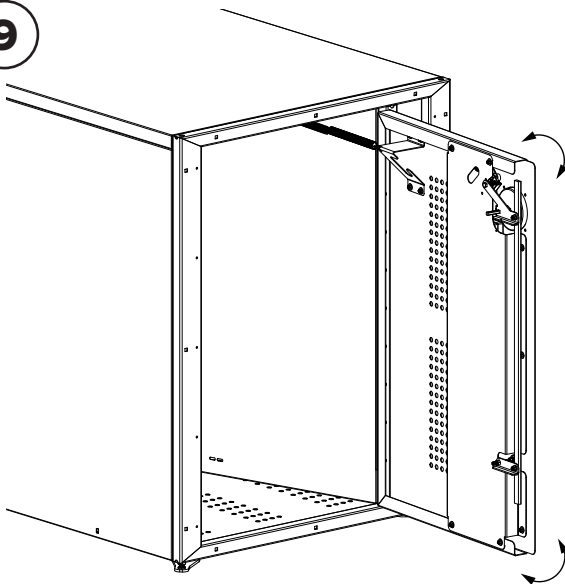
Attach each door assembly with (8) #12 x 3/4" self-drilling screws. Pilot holes are present but may be partially filled with zinc.

**8**



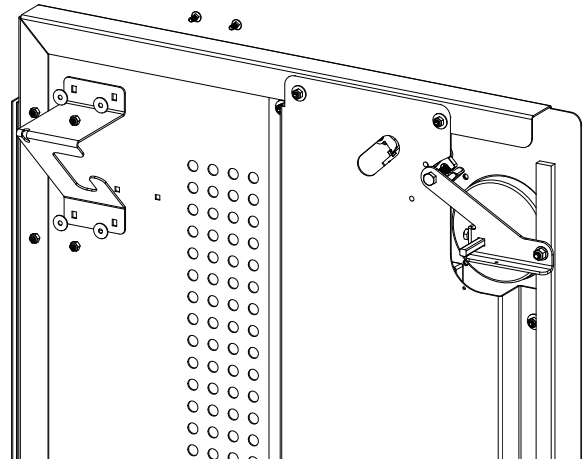
The gap between the door and latch bar may need to be adjusted to properly engage the door frame. This can be done via the 1/4" bolt that tightens against the handle spindle and the 5/16" nuts at the other pivot point.

**9**



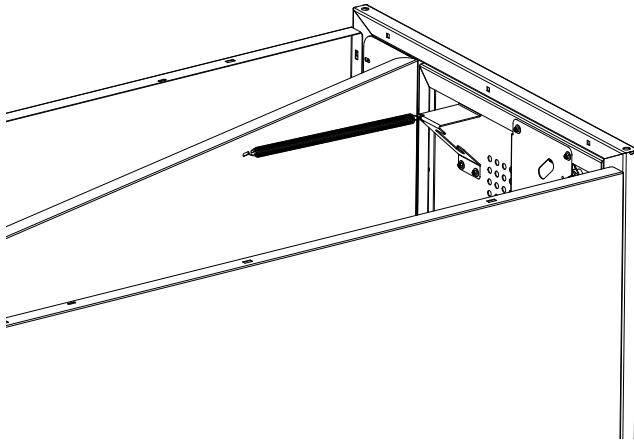
If any twist needs to be taken out of the door, loosen the #10 locknuts, set the door, and re-tighten.

**10**



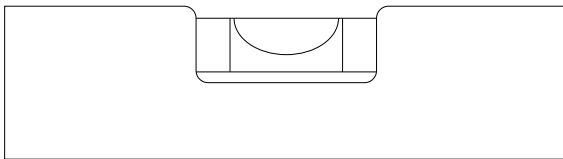
Attach the gear hook to the door back with (4) #10 x .50" carriage bolts, washers, and locknuts.

**11**



To install the door closer, attach the spring to the gear hook and to the side panel. A needle-nose pliers is helpful.

**12**



Move the locker into the desired location, level it with the leveling feet, and secure it to the ground with (4) 3/8 x 3" anchors. The leveling feet anchor holes should line up with the large holes in the locker floor.