



**DERO**  
A PLAYCORE Company



## Bike **Hook Solo**

The Bike Hook Solo provides a simple, space-efficient way to store and lock your bike. It includes all necessary hardware for mounting to the wall and an integrated 4 foot security cable to help keep you bike secure. This bike storage option is recommended for home use.

Maximum tire width: 2.5"

# Bike Hook Solo



## FINISH OPTIONS

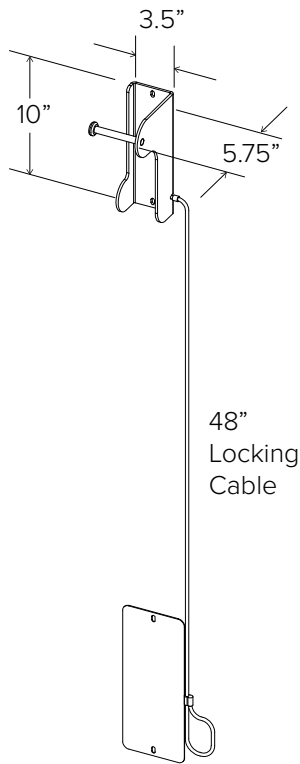
Galvanized



Powder Coat



Black



---

**CAPACITY** 1 Bike

---

**MATERIALS** **Main Body:** 3/16" steel plate  
**Security Cable:** 3/16" vinyl coated cable  
**Optional Wall Guard:** 14g aluminum plate

---

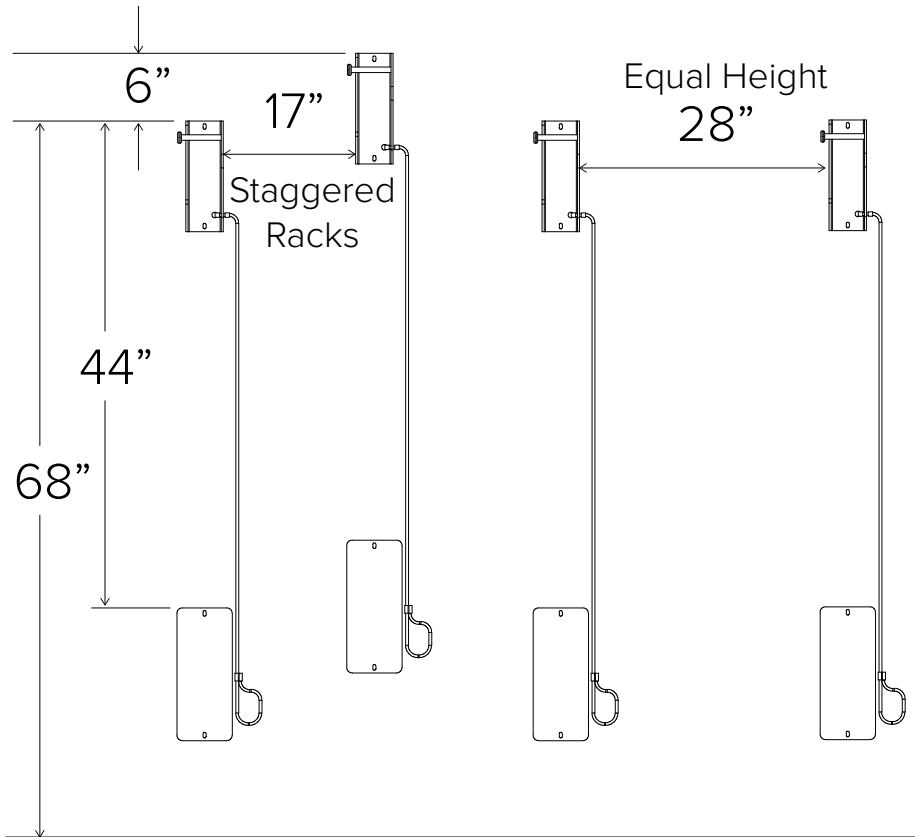
**FINISHES**  **Powder Coat**  
A black powder coat finish is our standard option. Our powder coat finish assures a high level of adhesion and durability by following these steps:  
1. Sandblast  
2. Epoxy primer electrostatically applied  
3. Final thick TGIC polyester powder coat

**Galvanized**  
An after fabrication hot dipped galvanized finish.

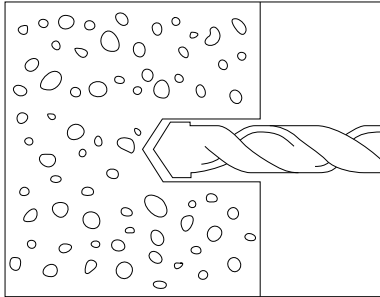
---

**MOUNT OPTIONS**  **Wall Only**  
Concrete wall mounted use 3/8" drop-in anchors with tamperproof screws. Wood and drywall mounted use 1/4" lag screws. Concrete block uses drive-in anchors.

---



**1**

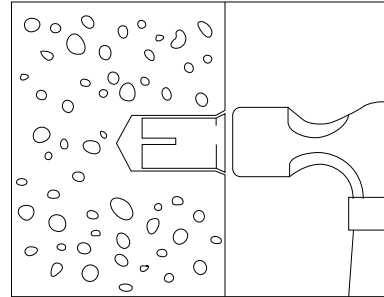


Ø 3/8"

↓ 1"

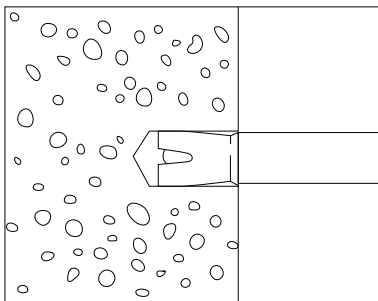
Drill a hole in the base material using a 3/8" diameter masonry bit. Drill the hole to 1" depth. Blow the hole clean using compressed air.

**2**



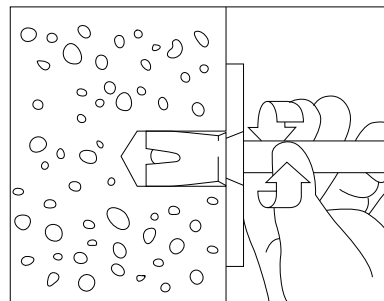
Insert Drop-In anchor into hole. Tap with hammer until flush against surface.

**3**



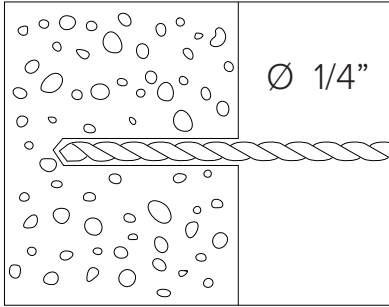
Using the Drop-In setting tool, drive expander plug towards the bottom of the anchor until shoulder of setting tool makes contact with the top of the anchor.

**4**



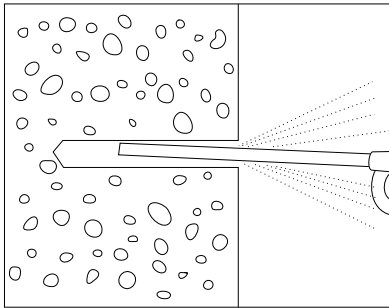
Place rack and screw anchor into wall.

**1**



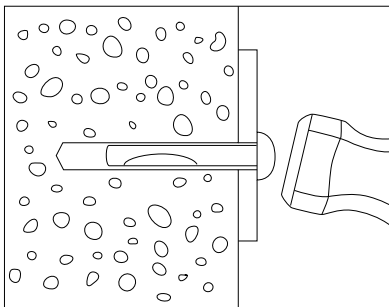
Drill a hole in the base material using a 1/4" diameter masonry bit.

**2**



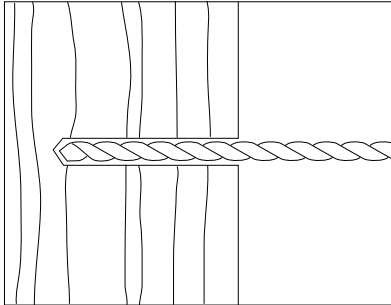
Blow the hole clean using compressed air.

**3**



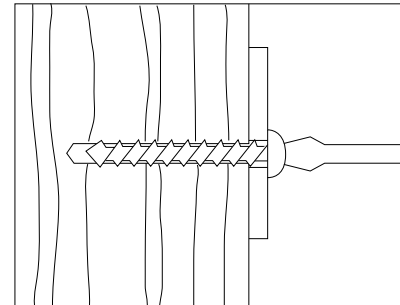
Tap in concrete anchor.

**1**



Drill small pilot holes into wood studs.  
Drywall alone is not sufficiently strong to support loaded rack.

**2**



Place rack and use provided wood screws to secure to wall.