



## Bike **File**

The Bike File is our most space efficient, u-lock compatible product. Sturdy sliding hangers allow nine bikes to be securely stored in an eight-foot section while allowing for easy loading and unloading of bikes.



U-lock compatible



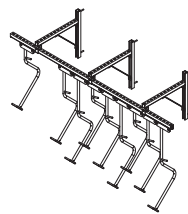
## FINISH OPTIONS

Galvanized

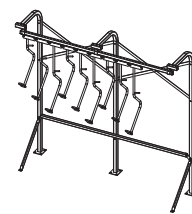


## MOUNT OPTIONS

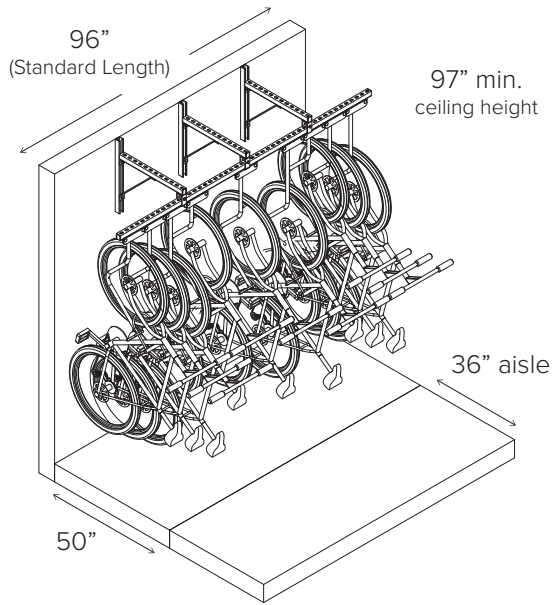
Wall



Floor





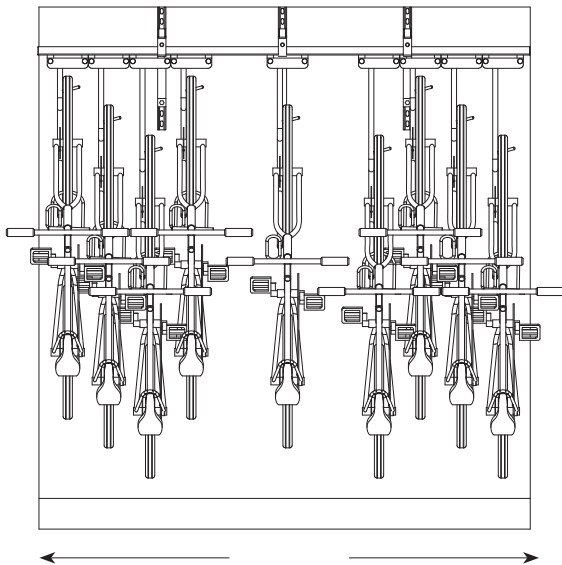


**CAPACITY** 9 bikes per 8 foot unit

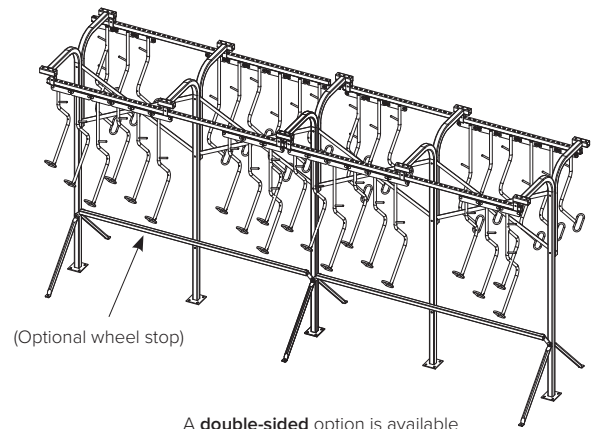
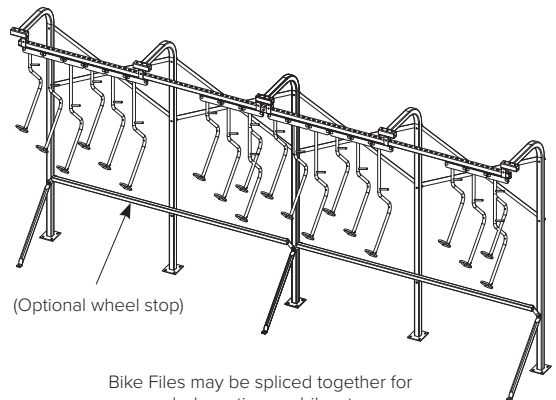
**MATERIALS**  
**Trolley Track:** 12 gauge galvanized steel  
**Trolley Assembly:** Stainless steel  
**Arms:** 1" 16g

**MOUNT OPTIONS**

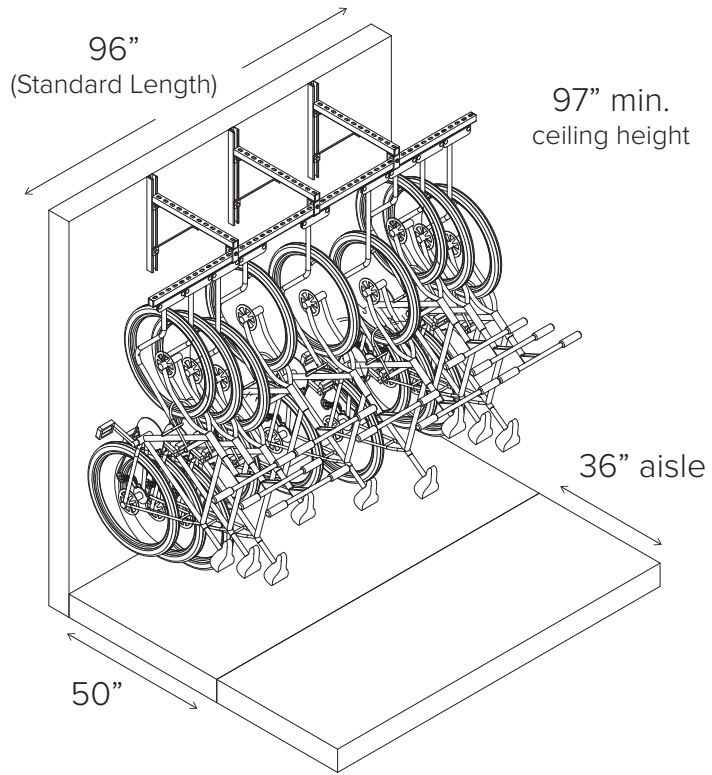
- Wall**  
Track is mounted to wall mounted brackets.
- Floor**  
Track is suspended from floor mounted braces.

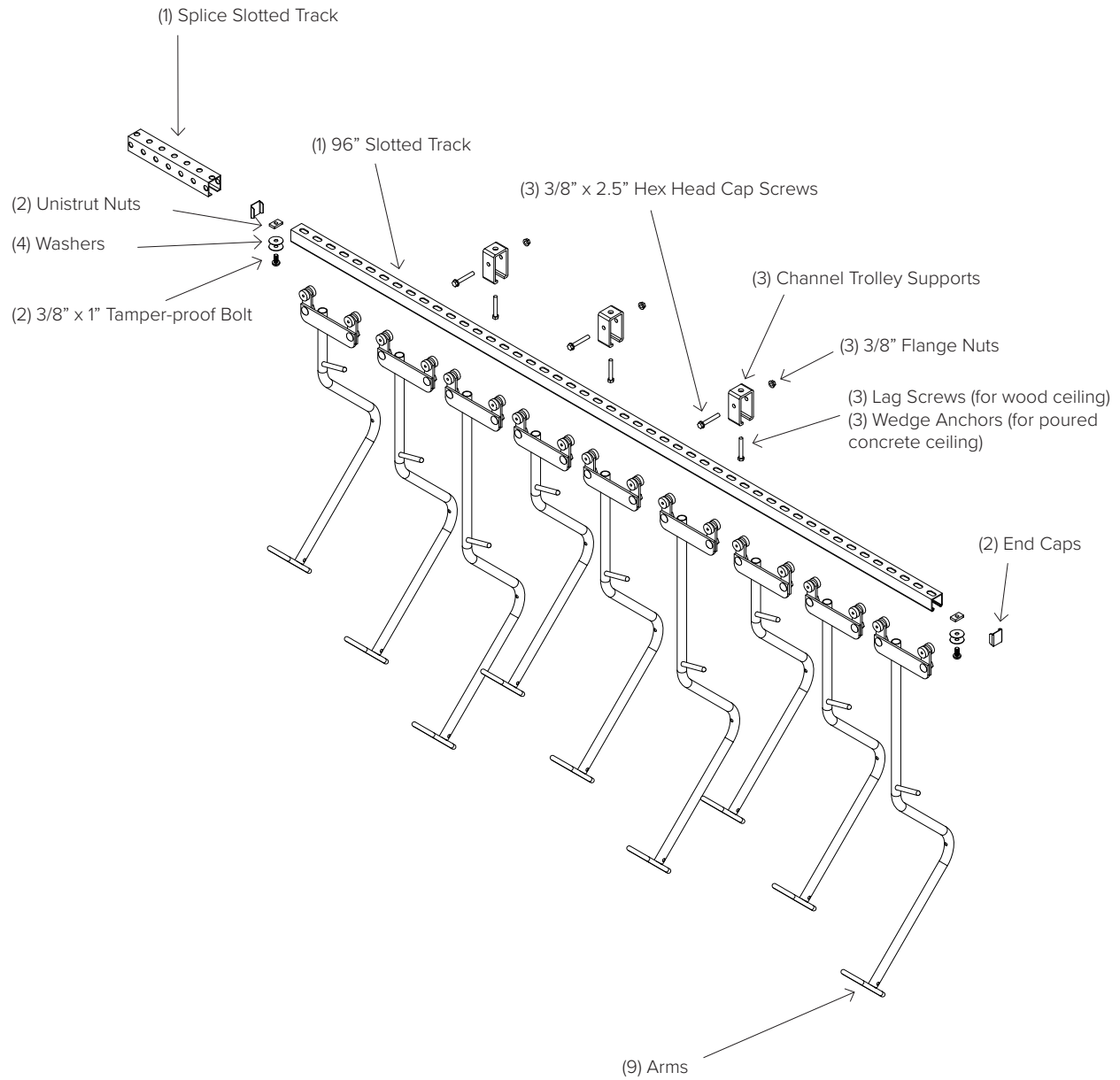


Trolleys allow you to push neighboring bikes apart when hanging or removing a bike

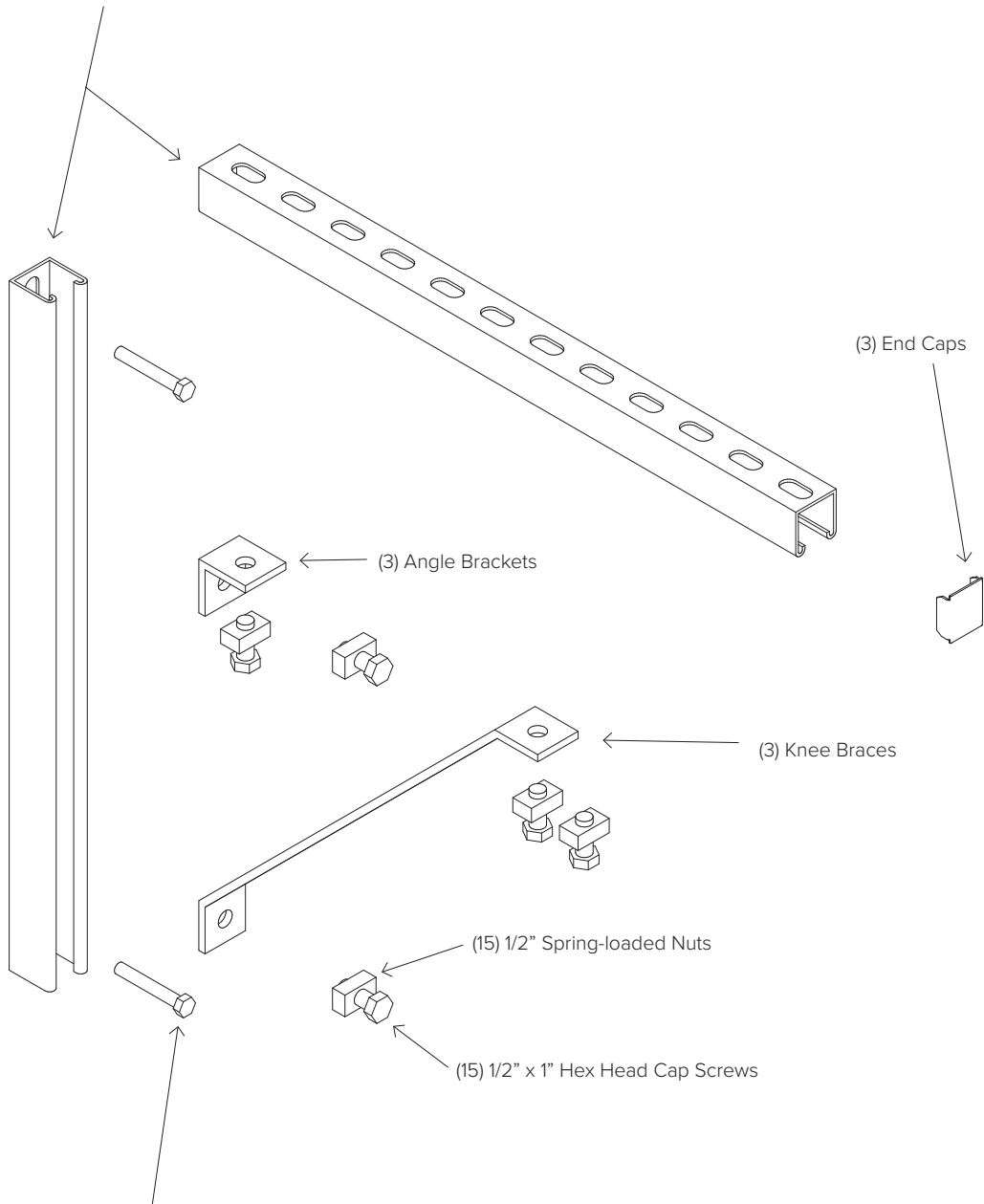


Bike Files may be lined up end to end to fill the available space. A 36" aisle should be left between the ends of bikes in racks facing one another.





(6) 24" Slotted Tracks

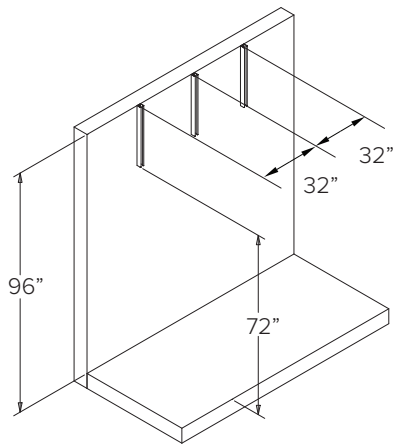



**TOOLS NEEDED**

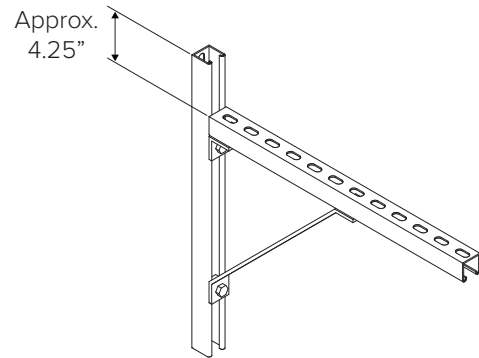
9/16" Wrench/Socket  
 3/4" Wrench/Socket  
 1/4" Drill Bit or 3/8" Masonry Drill Bit  
 (depending on anchor type)  
 Tape Measure  
 Drill (Hammer Drill Recommended)  
 Hammer  
 Level  
 Saw for cutting track

**BEFORE INSTALLING!**

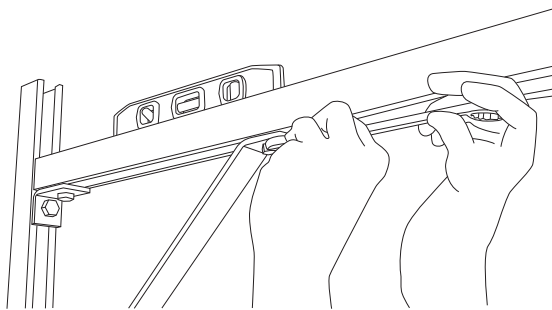
Make sure the wall is strong enough to accommodate the rack fully loaded with bikes.  
 Compare parts shipped with rack to parts list. Call Dero if any parts are missing.

**1**


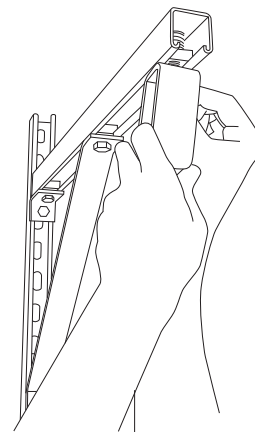
Mount 24" Slotted Tracks vertically to the wall with the appropriate anchors. Use a level for greatest accuracy. The bottom edge of the Slotted Track should be approximately 72" off the floor. The Slotted Tracks should be 32" apart from each other, and the end Slotted Tracks should be 18" from the eventual position of the end of the Trolley track.

**2**


Mount the remaining 24" Slotted Tracks horizontally and protruding from the wall so that the slotted surface of the Slotted Track is 4.25" below the top edge of the vertical 24" Slotted Track. Use the Knee Braces, Angle Brackets, and the Spring-loaded Nuts and Hex Head Cap Screws to secure the horizontal Slotted Track in place.

**3**


Make sure the horizontal Slotted Track is level. Adjust if necessary.

**4**


Attach the Bike File to the Wall Mount assemblies by securing the Channel Trolley Supports to the horizontal 24" Slotted Track with the remaining Spring-loaded Nut and Hex Head Cap Screw. The edge of the Slotted Track Mounting Bracket should be flush with the edge of the 24" Slotted Track.

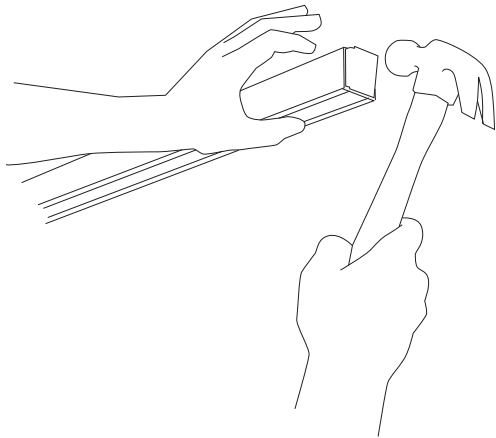


**TOOLS NEEDED**

9/16" Wrench/Socket  
 3/4" Wrench/Socket  
 1/4" Drill Bit or 3/8" Masonry Drill Bit  
 (depending on anchor type)  
 Tape Measure

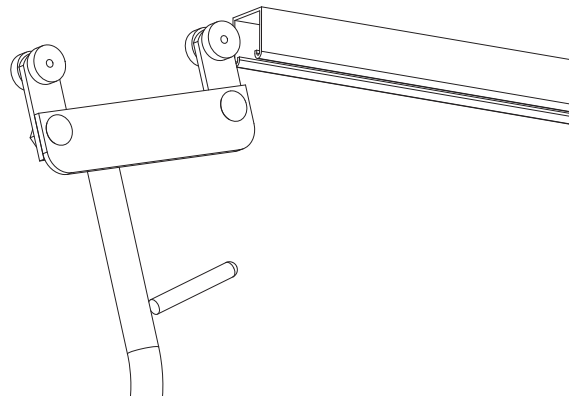
Drill (Hammer Drill Recommended)  
 Hammer  
 Level  
 Saw for cutting track

**1**



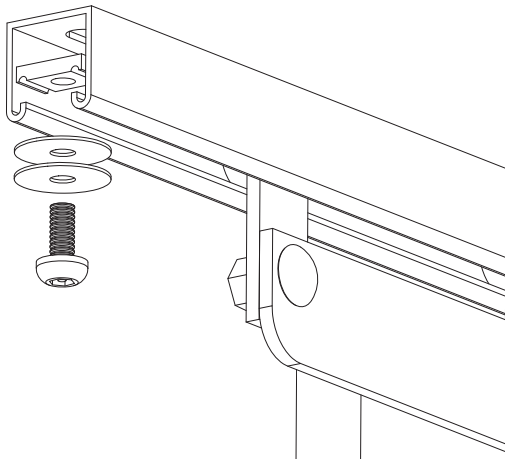
Insert a 1/2" Carriage Bolt into the last slot and fasten (3) Washers and a Tamperproof Nut. Finish by hammering in an End Cap.

**2**



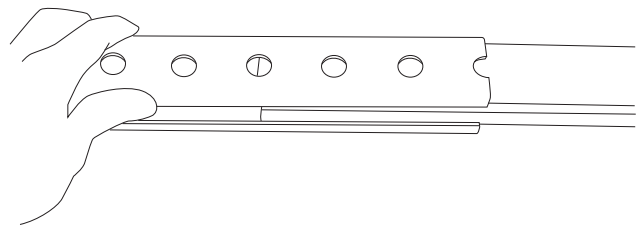
Insert the Trolleys into the open end of the 96" Slotted Track.

**3**



If no more Bike Files are going to be spliced together, insert a 3/8" Unistrut nut into the end of the channel and affix with (2) large washers and tamper-proof bolt. Finish by hammering in an End Cap.

**4**

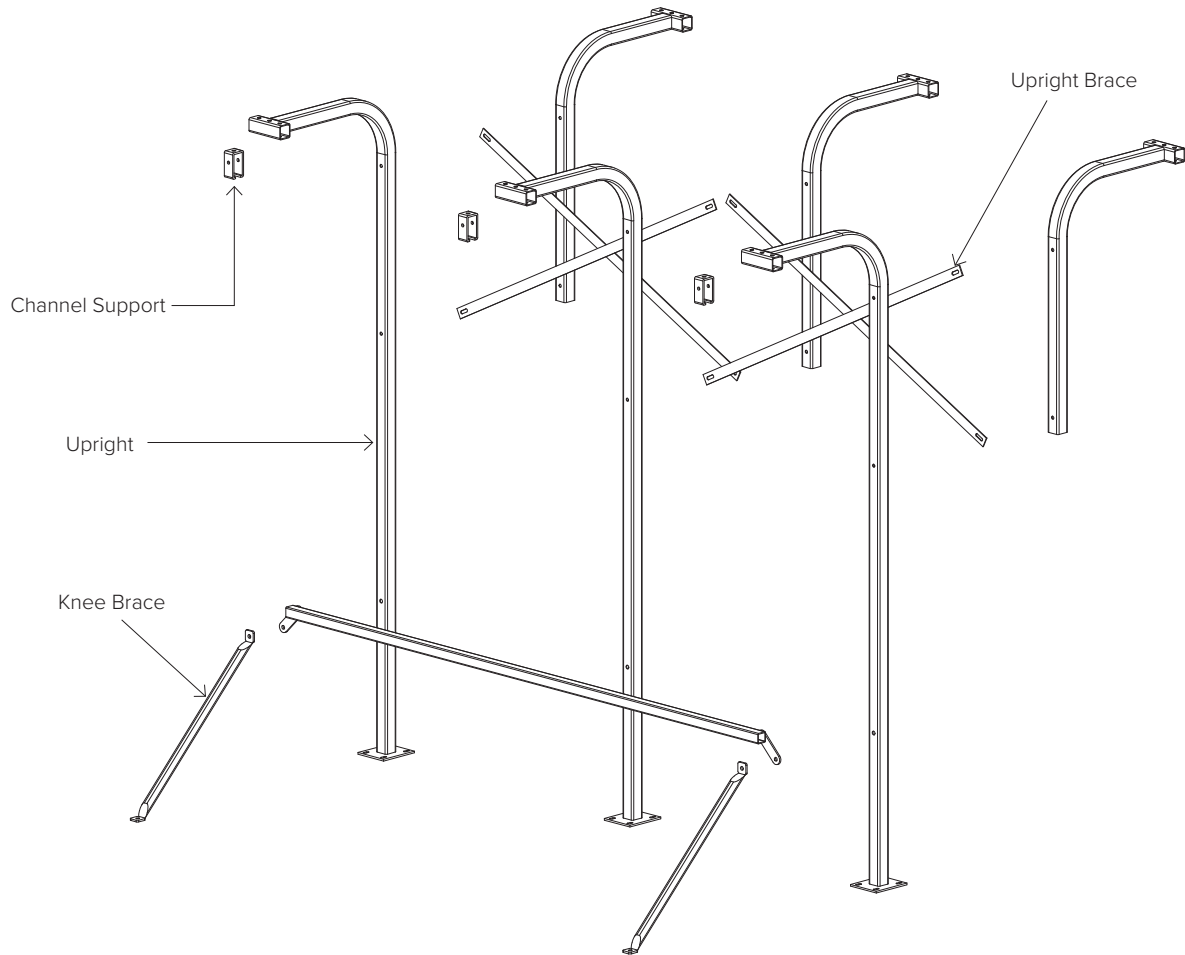


If splicing an additional length of track, slide the Splice Slotted Track over the last 6" of the 96" Slotted Track.





The floor mounted Bike File **MUST** be anchored to the floor. This is **NOT** a freestanding unit.





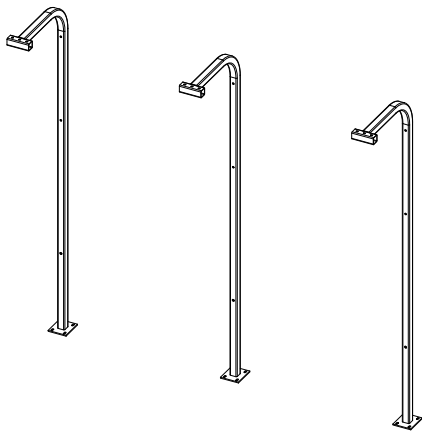
**TOOLS NEEDED**

- 9/16" Wrench/Socket
- 3/4" Wrench/Socket (Qty. 2)
- 1/4" Drill Bit or 3/8" Masonry Drill Bit
- Tape Measure
- Drill (Hammer Drill Recommended)
- Hammer
- Level

**BEFORE INSTALLING!**

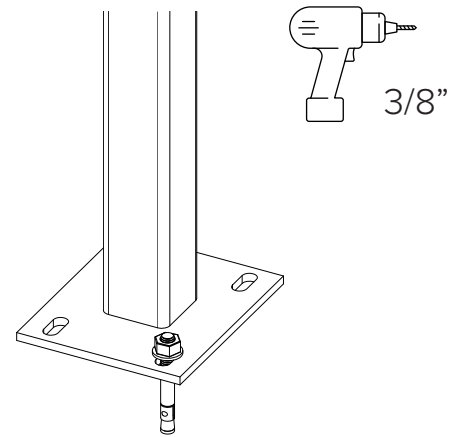
Make sure the floor is strong enough to accommodate the rack fully loaded with bikes. Compare parts shipped with rack to parts list. Call Dero if any parts are missing.

**1**



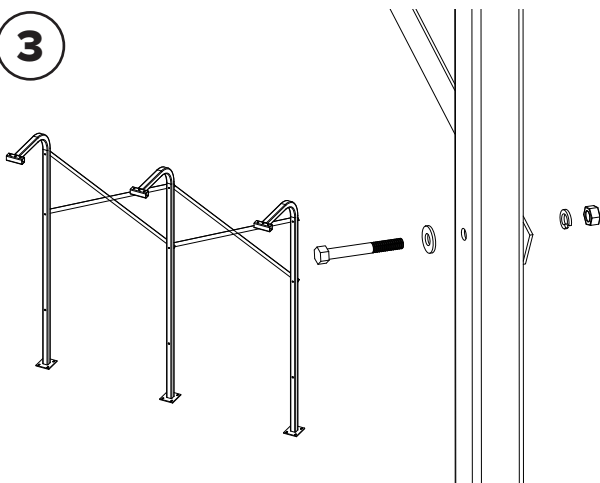
Place the Uprights 48" apart from each other. See your rack layout for location and numbers.

**2**

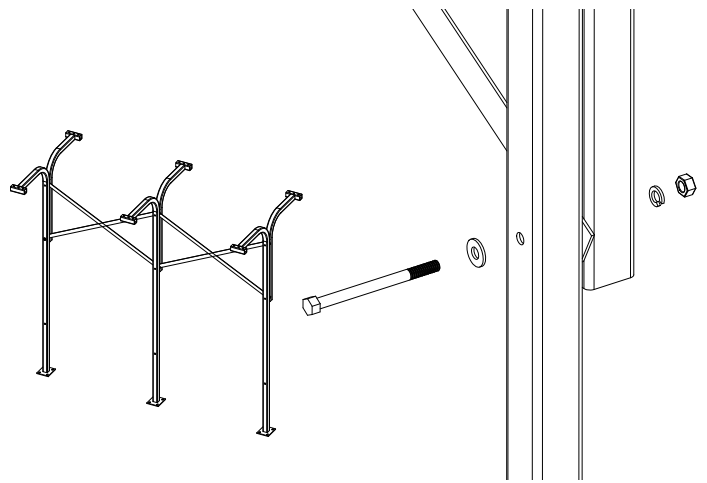


Anchor each Upright by drilling 3/8" holes and fastening with wedge anchors.

**3**

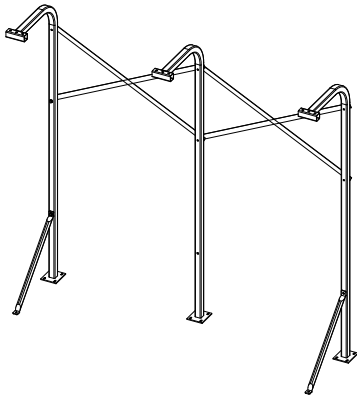


**A)** For single-sided units, fasten the Upright Braces to the Uprights with 3/8" x 3" bolts, 3/8" washers, 3/8" lock washers, and 3/8" nuts.

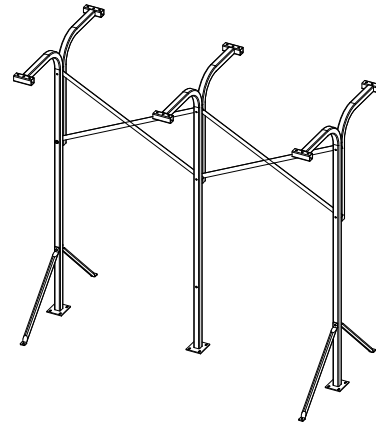


**B)** For double-sided units, fasten the Double-sided Uprights and Upright Braces to the Uprights with 3/8" x 3" bolts, 3/8" washers, 3/8" lock washers, and 3/8" nuts.

**4**

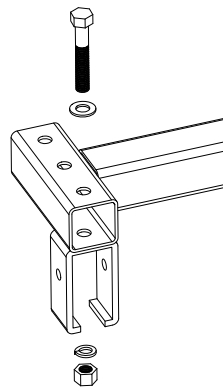
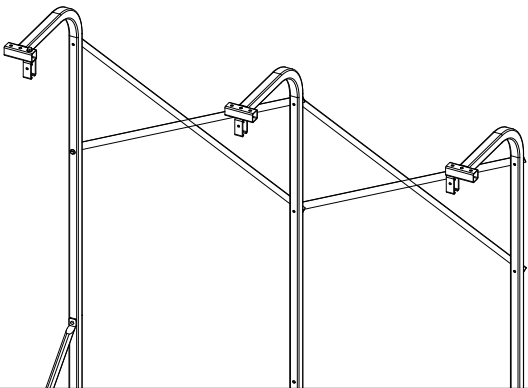


**A)** For single-sided units, attach Knee Braces to the first Upright and then every other Upright with 3/8" x 3" bolts, 3/8" washers, 3/8" lock washers, and 3/8" nuts. Anchor each Knee Brace by drilling a 3/8" hole and fastening with a wedge anchor.



**B)** For double-sided units, attach (2) Knee Braces to the first Upright and then every other Upright with 3/8" x 3" bolts, 3/8" washers, 3/8" lock washers, and 3/8" nuts. Anchor each Knee Brace by drilling a 3/8" hole and fastening with a wedge anchor.

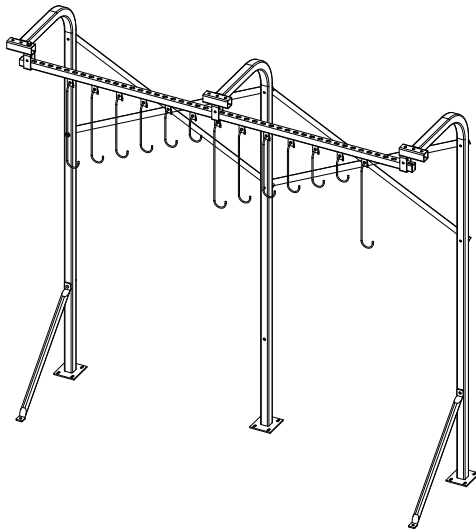
**5**



Fasten the Channel Supports to the uprights with 1/2" x 3" bolts, 1/2" washers, 1/2" lock washers, and 1/2" nuts.

Use the following Channel support mounting locations:  
 1st Upright, use right hole.  
 2nd Upright, use center hole.  
 3rd Upright, use left hole.  
 For modular units each 3rd Upright will have a Channel Support at the left and right holes.

**6**



Insert the Bike File assembly into the Channel Supports and secure. See ceiling mount instructions for more detail.