



DERO
A PLAYCORE Company

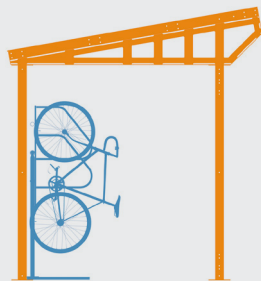


Bike **Depot**

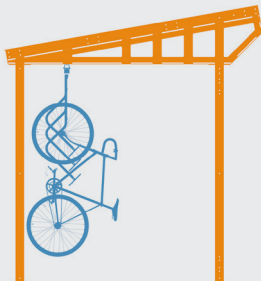
Whether the project is at a transit station, university campus, or residential building, the Bike Depot's modular design lets you easily build out to meet your space requirements. You also have the option to fully enclose the Bike Depot with heavy-duty wire mesh and double doors to create the perfect, long-term bike station, or keep it open for public accessible, short-term parking.

Multiple Bike Parking Options

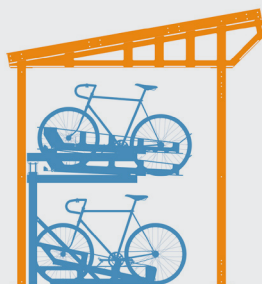
The Bike Depot accommodates most Dero bike parking systems. Here are four of the most space-efficient options.



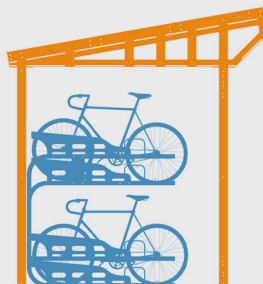
Ultra Space Saver Squared
8 Bikes



Bike File
12 Bikes



Dero Decker
14 Bikes



Dero Duplex
14 Bikes



FINISH OPTIONS

Galvanized

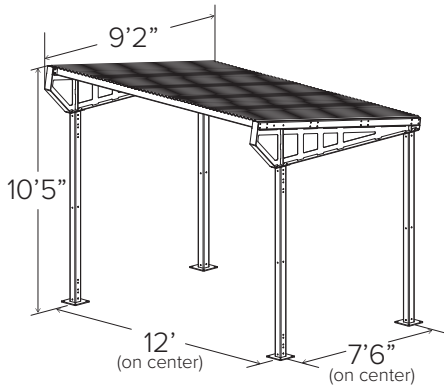


Powder Coat

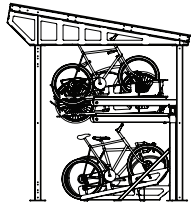
 White	 Black	 Deep Red RAL 3003	 Yellow RAL 1023
 CNH Bright Yellow	 Orange RAL 2004	 Beige RAL 1001	 Hunter Green RAL 6005
 Light Green RAL 6018	 Green RAL 6016	 Sky Blue RAL 5015	 Blue RAL 5005
 Dark Purple	 Flat Black	 Wine Red RAL 3005	 Iron Gray RAL 7011
 Light Gray RAL 7042	 Silver RAL 9007	 Sepia Brown RAL 8014	 Bronze

SOLAR POWERED LIGHTING AVAILABLE

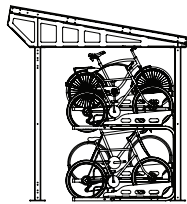




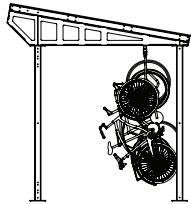
Parking capacity using various configurations:



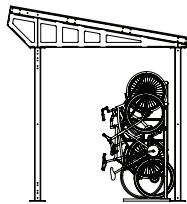
Dero Decker
14 Bikes



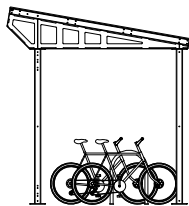
Dero Duplex
14 Bikes



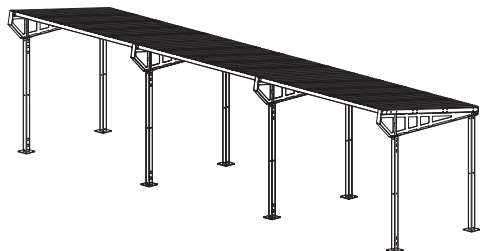
Bike File
12 Bikes



Ultra Space Saver Squared
8 Bikes



Hoop Racks
8 Bikes



Dero shelters can be used in a modular fashion (shared uprights). However, when used in this manner, please consult a Dero sales associate for layout, as the rack spacing and bike capacity can change!

CAPACITY Up to 14 Bikes

MATERIALS

- Uprights:** 4" x 3/16" square tube.
- Feet:** 3/8" plate
- Truss:** 4" x 1/8" square tube, 1/8" plate, 1/4" plate
- Purlin:** 2" x 4" x 1/8" tube
- Roof Panels:** Type S deck 26g galvanized steel
- Panels:** 2" x 2" x 3/16" wire mesh, 2" x 14g square tube

FINISHES

Galvanized
An after fabrication hot dipped galvanized finish is our standard option.

Powder Coat
Our powder coat finish assures a high level of adhesion and durability by following these steps:

1. Sandblast
2. Epoxy primer electrostatically applied
3. Final thick TGIC polyester powder coat

MOUNT OPTIONS

Surface Only
Shelter has 10" square feet which must be anchored to the ground with supplied anchors.

LOCKING OPTIONS

Key

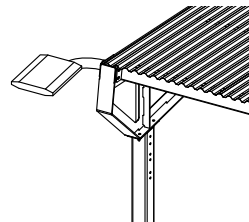
Padlock

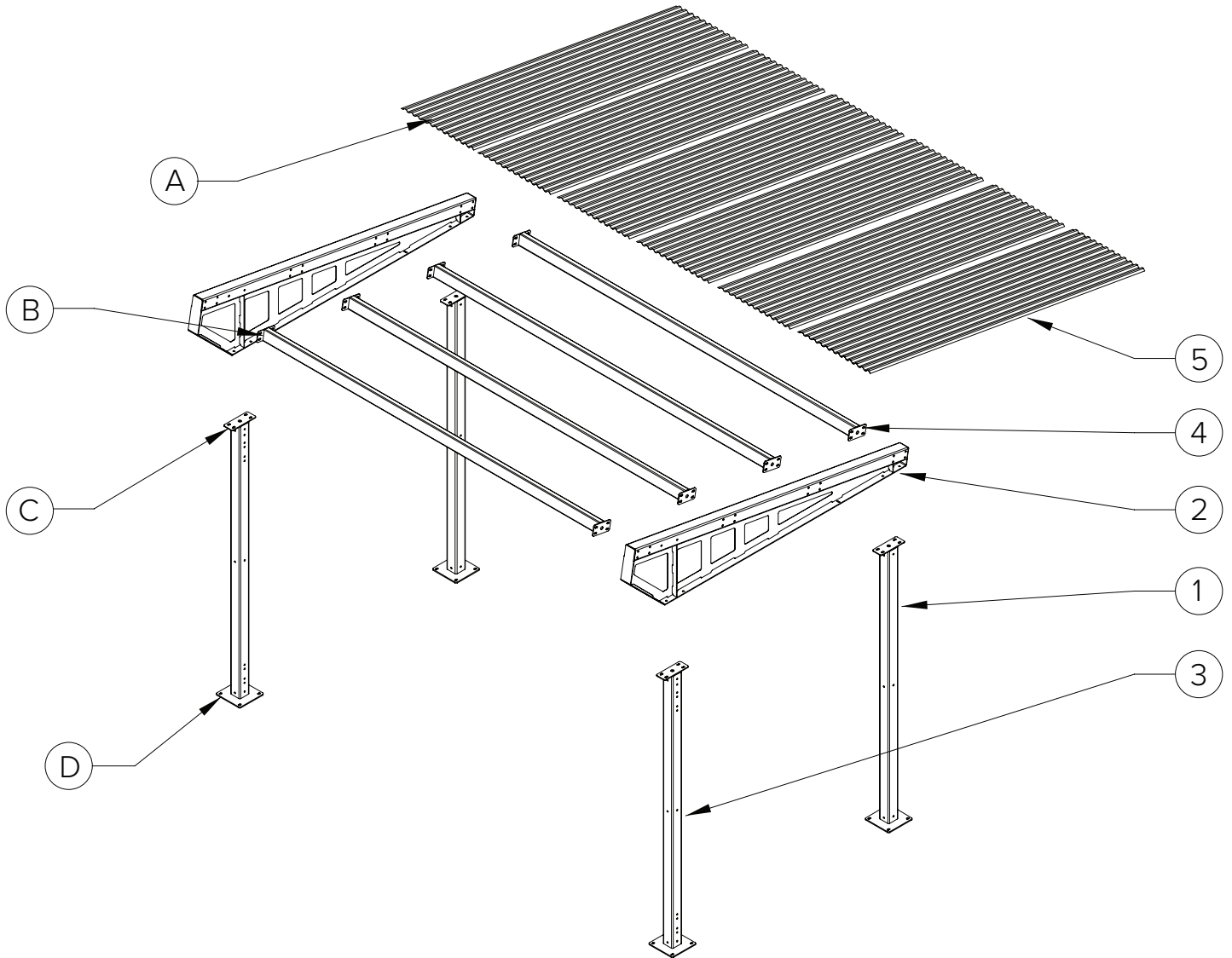
SETBACKS Consult local building codes for acceptable setbacks and placement.

LOAD DATA

- Dead Load:** self weight of structure
- Live Load:** 40 psf
- Wind Load:** 90 mph exposure B
- Seismic Load:** moderate
- Footing:** see page 5
- Anchors:** 1/2" diameter x 4.25" Simpson Strong-bolt 2

LIGHTING Solar powered lights are available for an additional charge





- (A) (12) 1/4" SELF-DRILL SCREWS
- (B) (4) 1/2" BOLTS
- (C) (4) 1/2" BOLTS
- (D) (4) 1/2" DIA. SIMPSON STRONG BOLT 2 ANCHORS
3.5" MIN. EMBEDMENT

- ① UPRIGHT BACK WELDMENT
- ② TRUSS WELDMENT
- ③ UPRIGHT FRONT WELDMENT
- ④ PURLIN WELDMENT
- ⑤ TYPE S DECK 2.5 X .5625



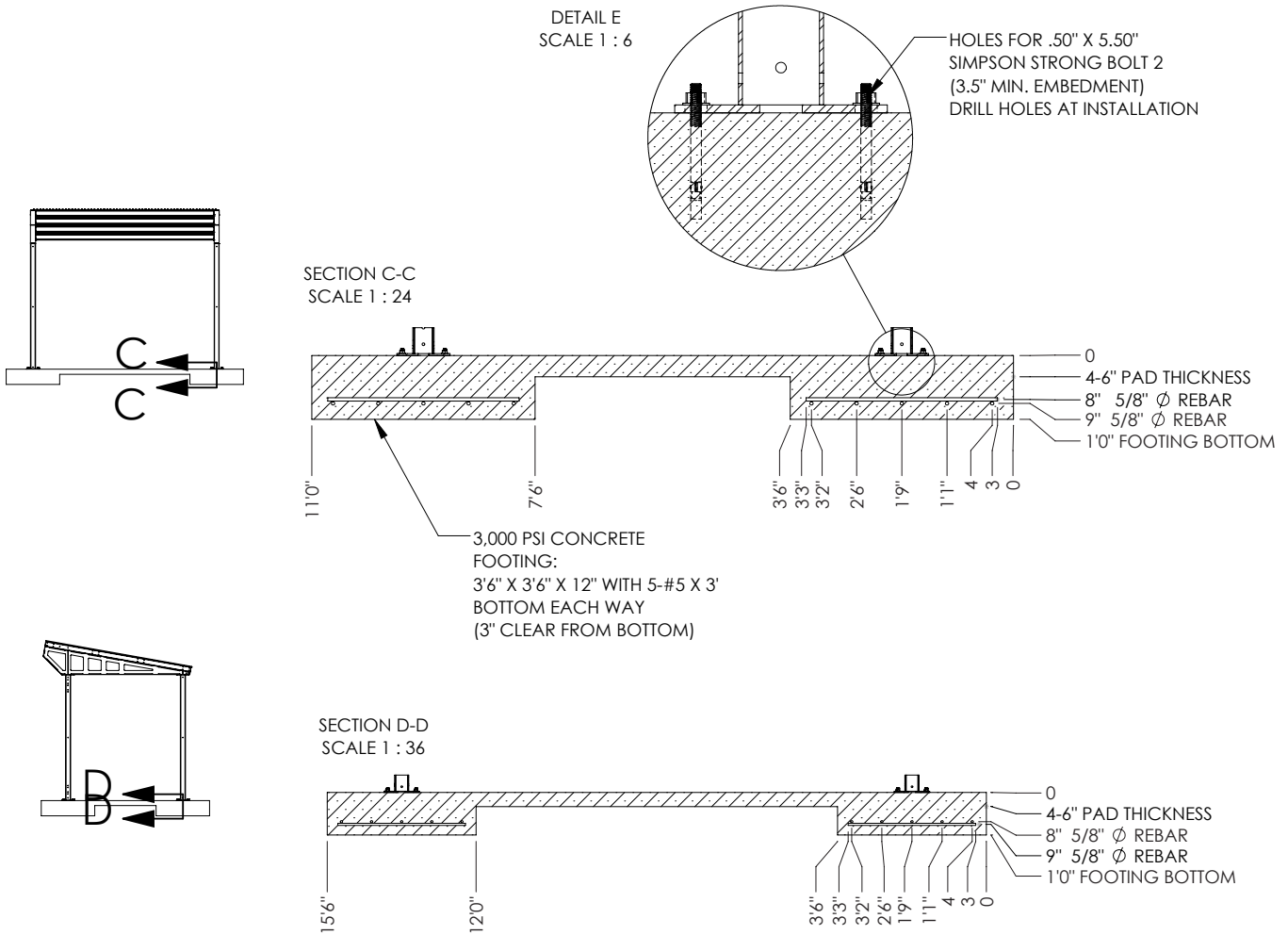
TOOLS NEEDED

- Tape Measure
- Level
- Hammer Drill
- Large Hammer
- Chalk Line
- Masonry Bits: 3/8", 1/2"

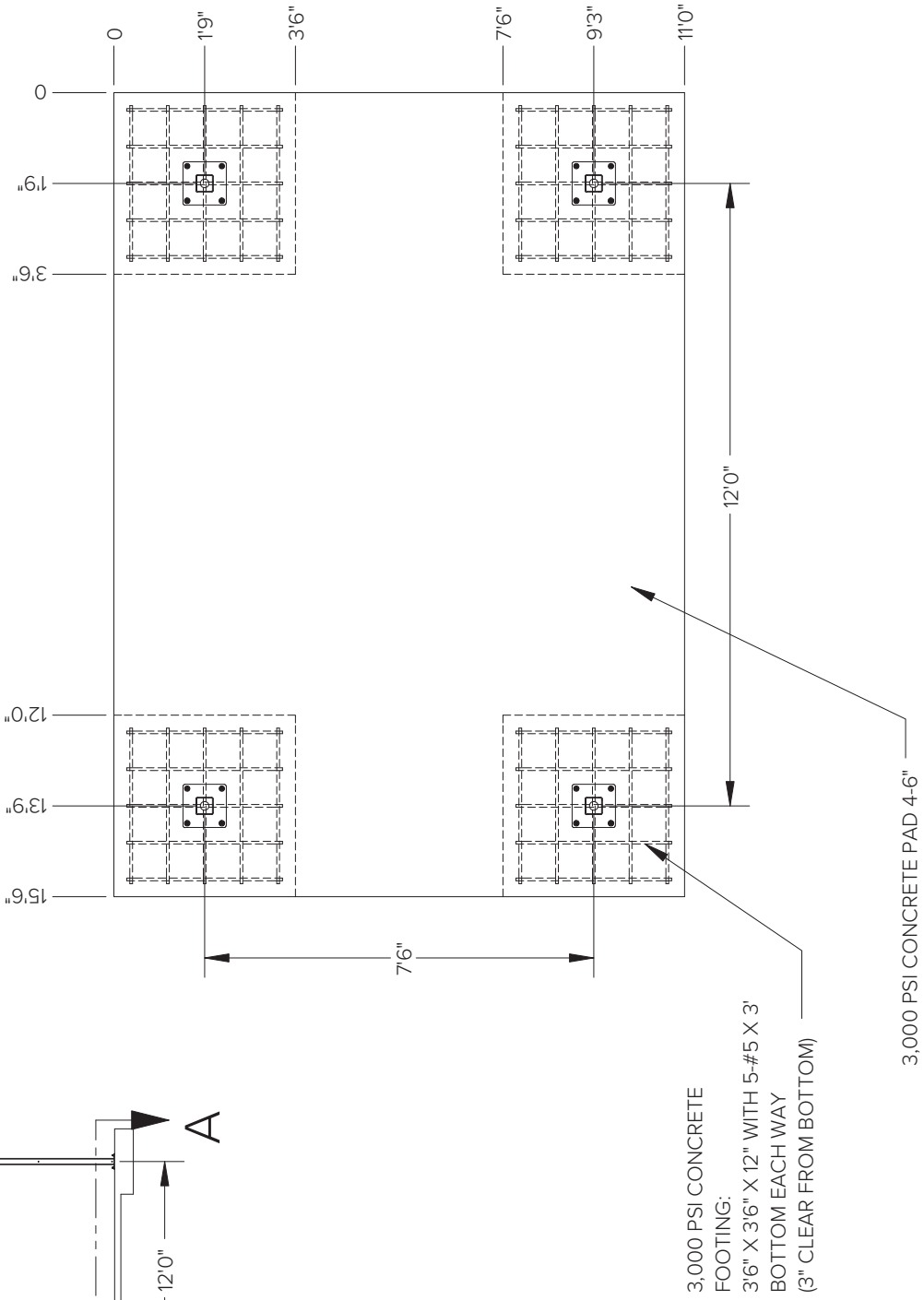
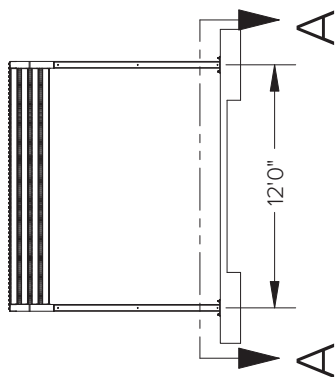
- Material Lift or Fork Lift
- Wrenches: 9/16", 3/4"
- Socket Wrench with Sockets: 7/16", 1/2", 9/16", 3/4"
- Drive Socket 5/16"
- Tall Ladder.

1

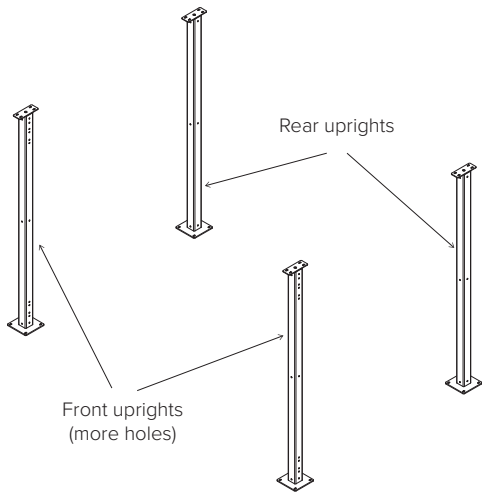
Customer is responsible for preparing the slab with minimum strength of 3,000psi as shown.



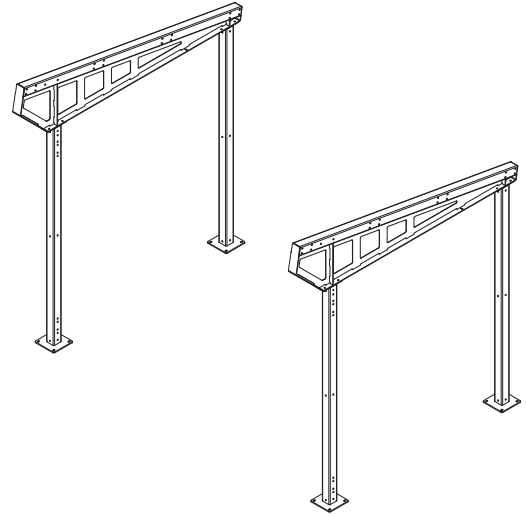
SECTION A-A
SCALE 1 : 36



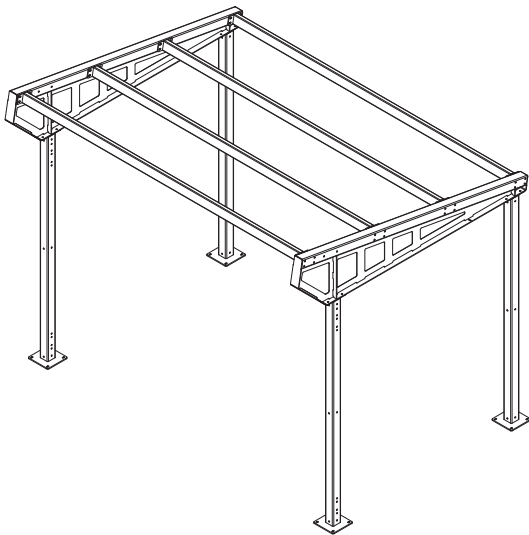
SIZE	DWG. NO.	REV.
A	3000328-A	A
SCALE: 1/36		SHEET 3 OF 12

2


Place uprights on concrete pad over footings (see step 1). Confirm all uprights are properly spaced and square. Using the upright foot as a template, drill (4) 1/2" diameter x 6" holes at each upright. Install wedge anchors with nuts finger-tight. See shelter assembly drawing for specific upright placement locations. If there's an elevation change at the uprights, a non-shrink, 3,000 psi. grout pad may be used. Longer anchors may be needed to maintain a 3.5" min. embedment.

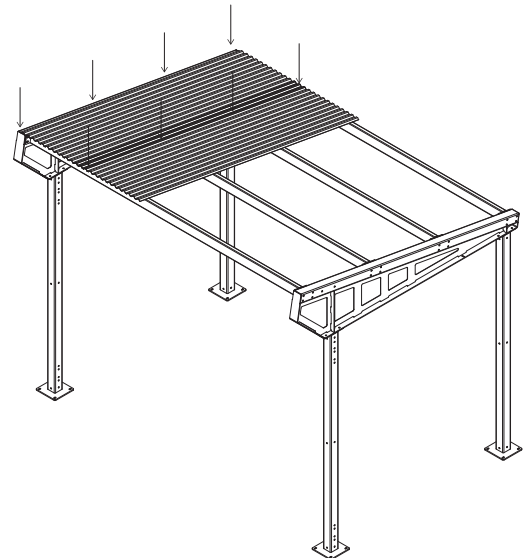
3


Lift trusses into place and fasten to uprights with (4) 1/2" x 1.5" carriage bolts, (4) lock washers, and (4) nuts at each upright. Leave finger-tight.

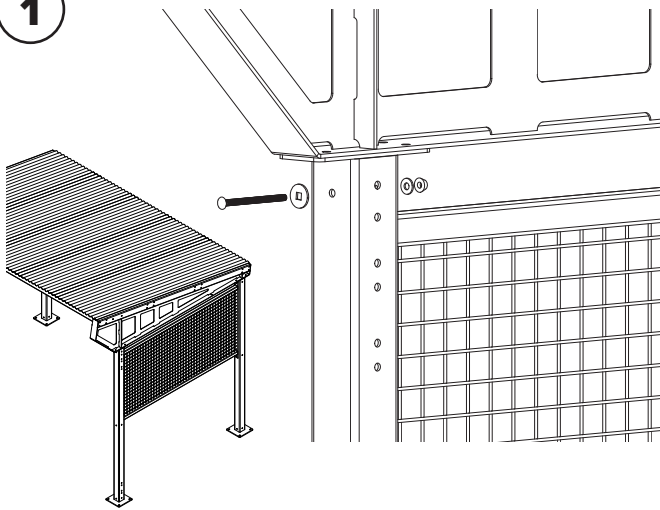
4


Install the purlins with (8) 1/2" x 5.5" bolts, (16) lock washers, and (8) nuts each. Fully tighten after all purlins are in place.

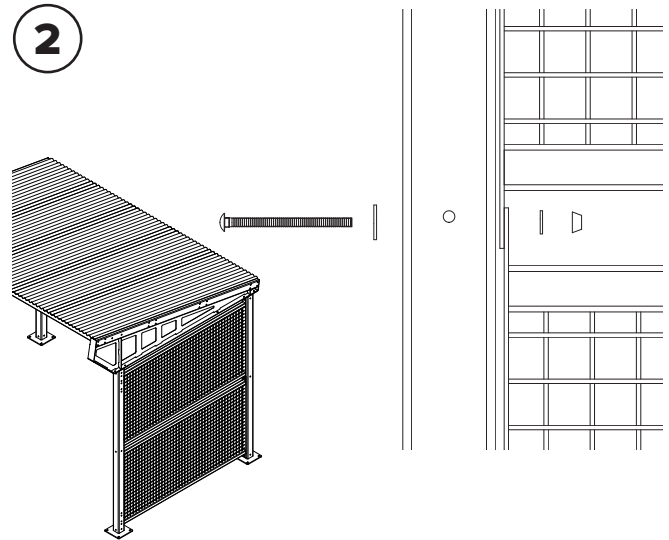
Tighten all upright and truss bolts.

5


Place the first section of type S decks and fasten with (4) self-drilling screws to the truss. Place the next section of type S decks with 3 ridges overlapping and fasten with (4) self-drilling screws through both sections to the purlins. Each deck will provide 27.5" of coverage. Continue until done. The last section will require (8) self-drilling screws.

1


Place a side panel in the upper position and attach with (2) 3/8" x 5.5" carriage bolts, (2) 3/8" carriage bolt washers, (2) 3/8" washers, and (2) Penta nuts. Leave finger tight.

2


Place a side panel in the lower position and attach with (4) 3/8" x 5.5" carriage bolts, (4) 3/8" carriage bolt washers, (4) 3/8" washers, and (4) Penta nuts. Tighten all (6) bolts.

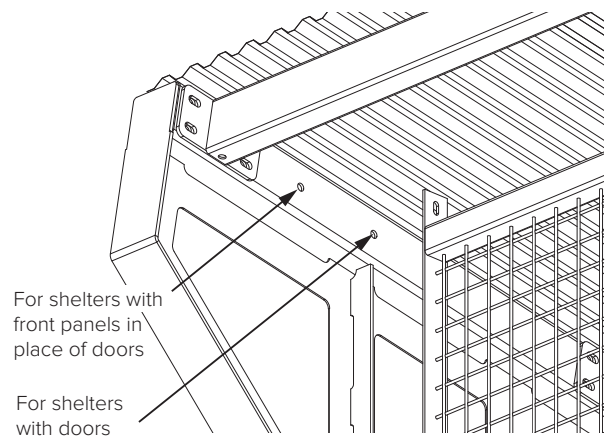
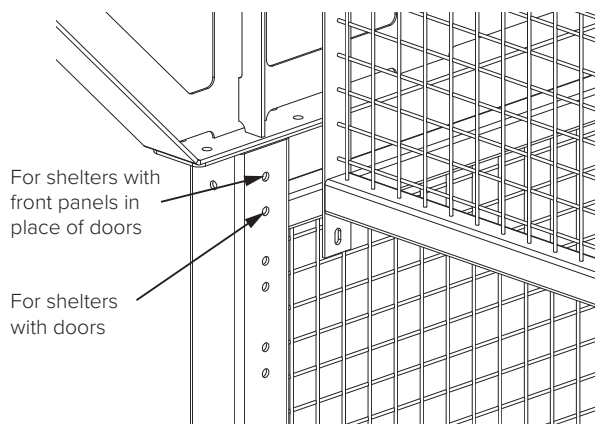
Place and attach the remaining side panels.

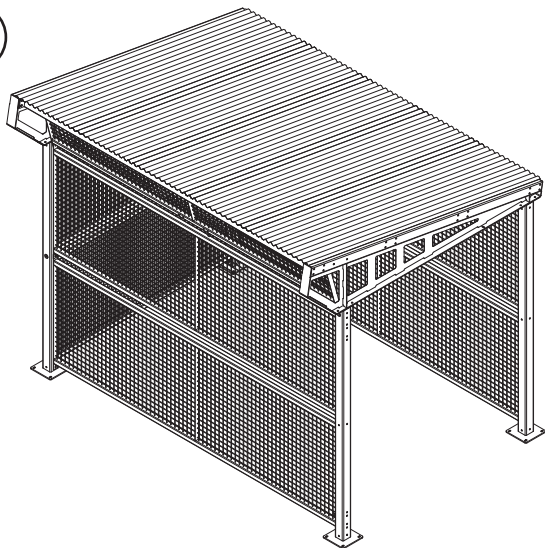
Place and attach the rear panels with the same method as the side panels.

3

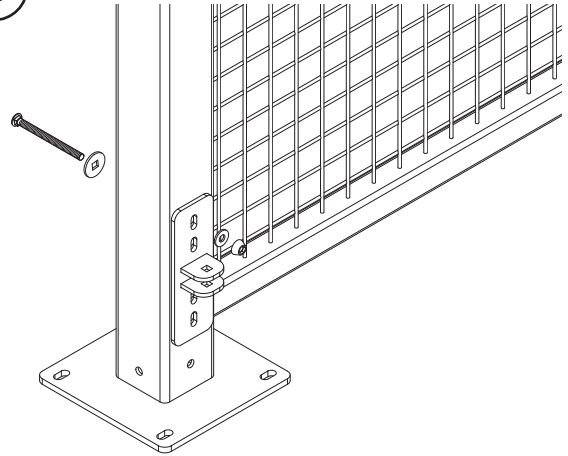
Place and attach the upper front panel in the correct position depending on whether front doors or panels are present.

Front Panel Mounting Location

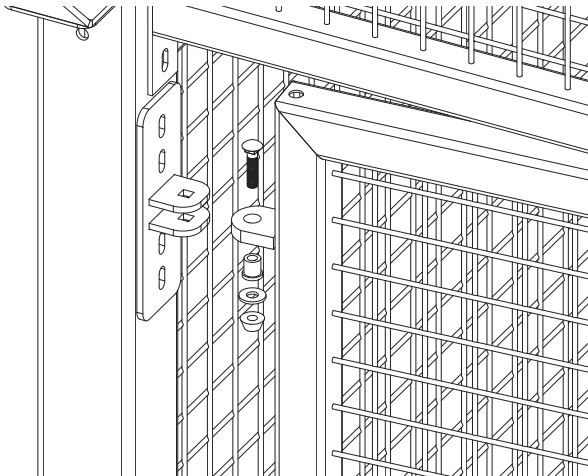


4


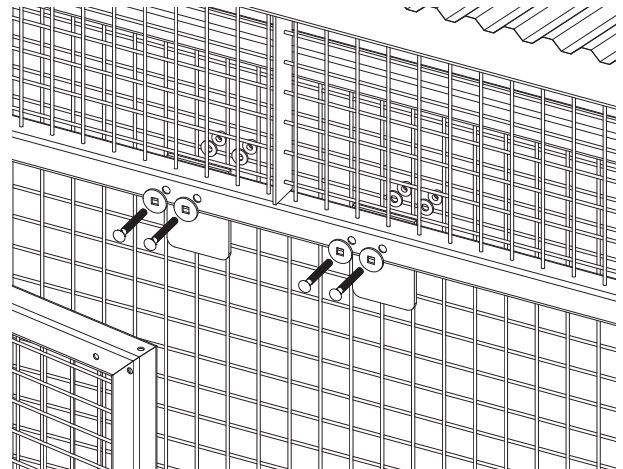
For shelters with front panel in place of doors, attach rear panels in the front of the shelter.

5


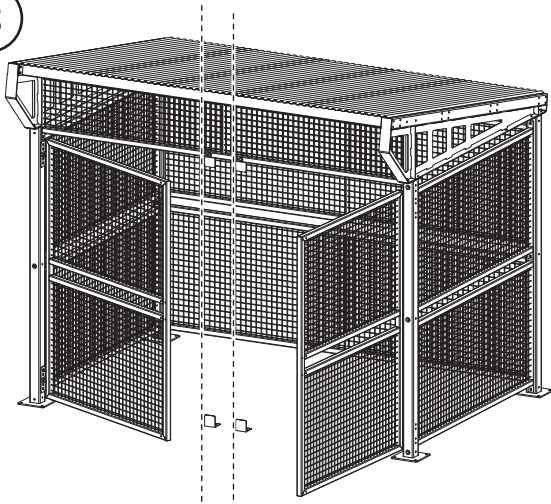
Attach (4) hinges with (4) 3/8 x 5" carriage bolts, (4) 3/8" carriage bolt washers, (4) 3/8" washers, and (4) Penta nuts at each hinge. If the uprights are not perfectly vertical, a washer may be placed between the hinge and upright to align the axis of the hinges. Leave the bolts finger-tight.

6


Attach the doors with (1) 3/8 x 1.75" carriage bolt, (1) brass sleeve bearing, (1) 3/8" washer, and (1) Penta nut at each hinge. Tighten the Penta nuts. Then tighten hinge Penta nuts.

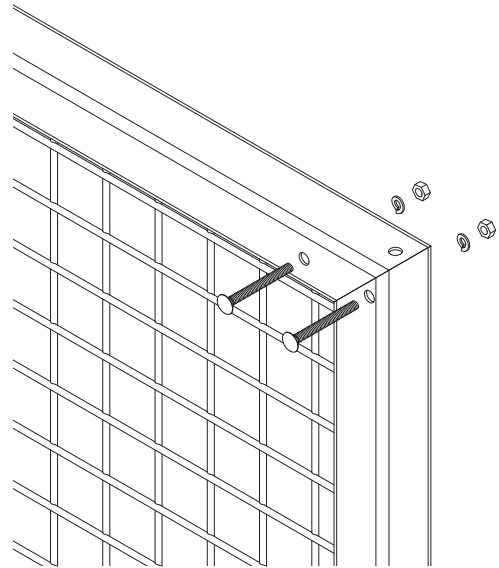
7


Attach both upper door stops with (2) 3/8 x 3" carriage bolts, (2) 3/8" carriage bolt washers, (2) 3/8" washers, and (2) Penta nuts at each stop.

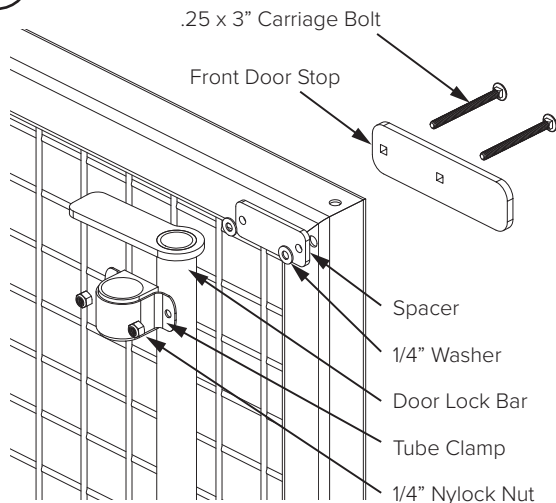
8


Line up top and bottom door stops

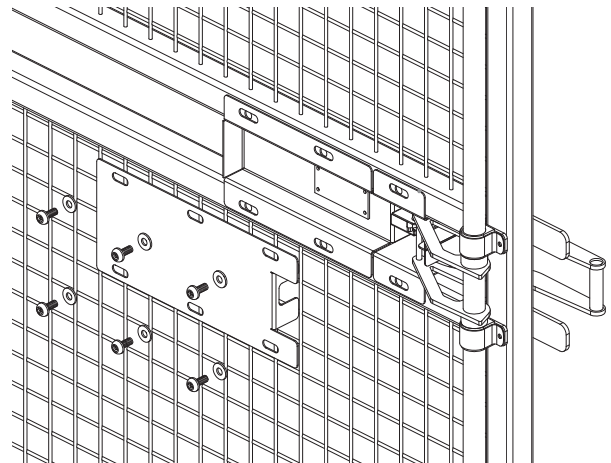
Anchor the lower door stops to the concrete with (2) 3/8 x 3" wedge anchors and (2) Penta nuts in place of the hex nuts. The lower door stops should be directly below the upper door stops and just contact the door when it's closed. The left and right lower door stop may be placed slightly off to accommodate some distortion in the doors.

9


Fill the (8) 3/8" holes in the left door with (8) 1/4 x 2.5" carriage bolts, (8) lock washers, and (8) nuts.

10


Attach the door lock bar to the right door with (8) 1/4 x 3" carriage bolts, (4) front door stops, (4) spacers, (8) washers, (4) tube clamps, and (8) nylock nuts. Once bolts are tightened the lock bar should rotate freely.

11


Attach the latch assembly and cover with (6) 3/8 x 1" security bolts, and (6) 3/8" washers. The latch assembly can be laterally positioned so the lock bar strike enters and exits the latch smoothly.