



DERO
A PLAYCORE Company



Bike Bike Rack™

The Bike Bike Rack is an iconic, functional piece of street art that welcomes people on bikes and provides them a secure, convenient place to park.



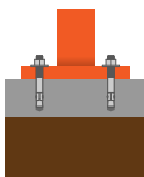
YOUR LOGO HERE

Customize the Bike Bike Rack to brand your bike parking!



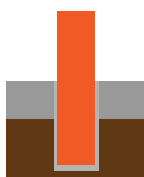
MOUNT OPTIONS

Surface



Tamper-resistant fasteners available for an additional cost

In-Ground



FINISH OPTIONS

Galvanized

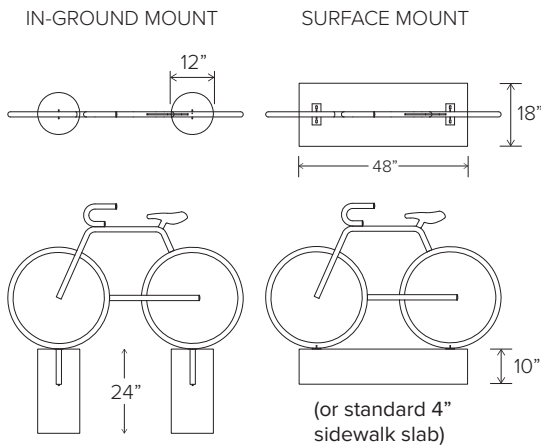
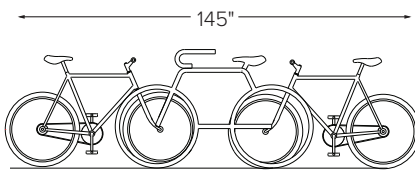
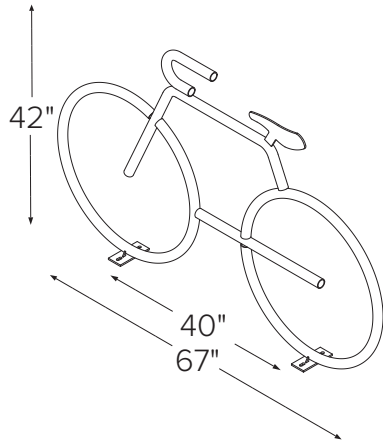


Stainless



Powder Coat

- | | | | | |
|---|--|--|---|--|
|  White |  Black |  Light Gray
RAL 7042 |  Deep Red
RAL 3003 |  Yellow
RAL 1023 |
|  CNH Bright
Yellow |  Orange
RAL 2004 |  Beige
RAL 1001 |  Iron Gray
RAL 7011 |  Hunter Green
RAL 6005 |
|  Light Green
RAL 6018 |  Green
RAL 6016 |  Sepia Brown
RAL 8014 |  Blue
RAL 5005 |  Sky Blue
RAL 5015 |
|  Dark Purple |  Flat Black |  Wine Red
RAL 3005 |  Bronze |  Silver
RAL 9007 |

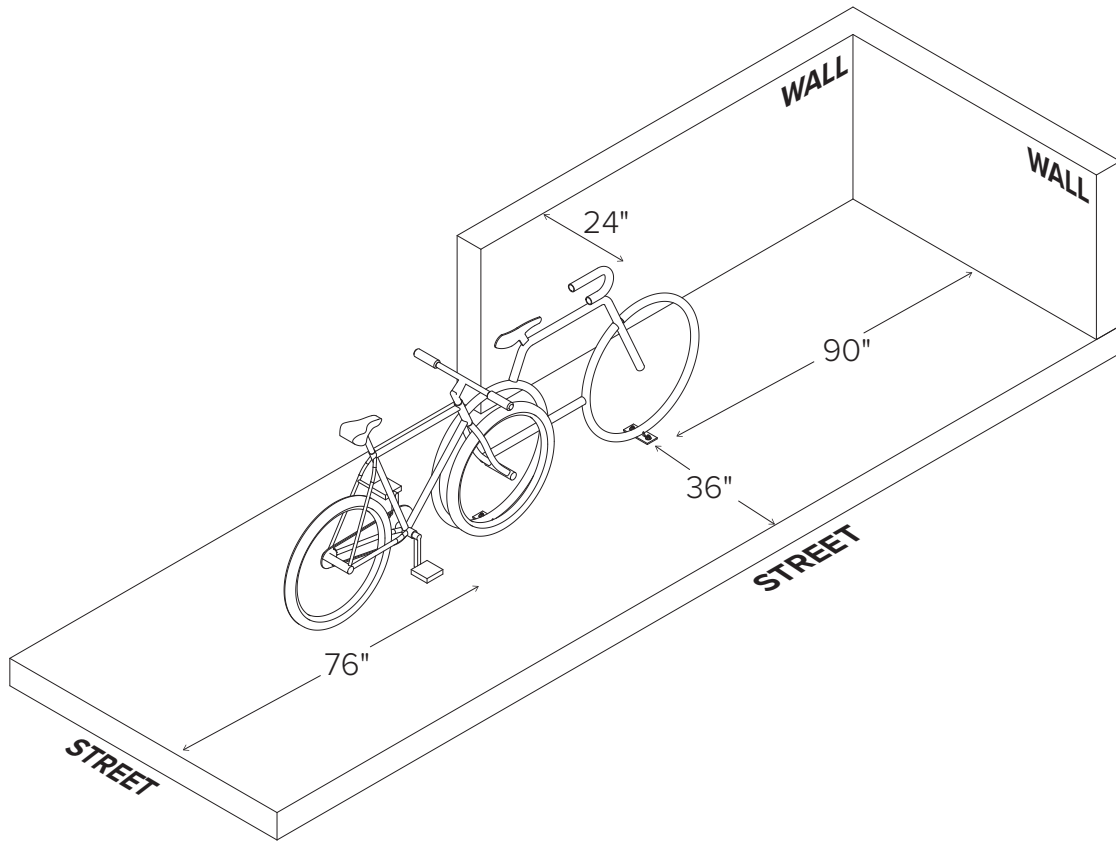


CAPACITY 2-4 Bikes

MATERIALS 1.5" OD 11 Gauge Tube. All open ends are capped to prevent moisture from entering. All welds are MIG welds around entire circumference of joined pieces.

- FINISHES**
- Galvanized**
An after fabrication hot dipped galvanized finish is our standard option.
 - Powder Coat**
Our powder coat finish assures a high level of adhesion and durability by following these steps:
1. Sandblast
2. Epoxy primer electrostatically applied
3. Final thick TGIC polyester powder coat
 - Stainless**
Stainless Steel: 304 grade stainless steel material finished in either a high polished shine or a satin finish.

- MOUNT OPTIONS**
- Surface**
Each rack has two 2.5" x 6" mounting brackets double gusset welded to the "wheels". The brackets are 40" apart. Each bracket is anchored to the ground with two anchors. Anchors are included with each rack. Tamper-resistant fasteners are available upon request.
 - In-Ground**
In-ground mount is embedded into concrete base. Specify in-ground mount for this option





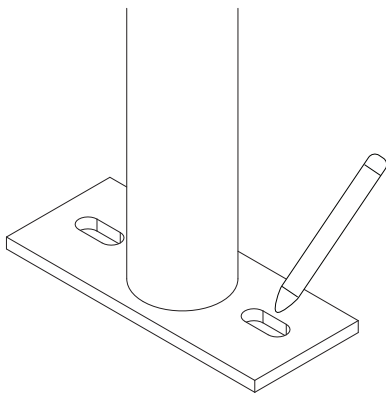
TOOLS NEEDED

- Tape Measure
- Marker or Pencil
- Masonry Drill Bit 3/8"
- Drill (Hammer drill recommended)
- Hammer
- Wrench 9/16"
- Level

RECOMMENDED BASE MATERIAL

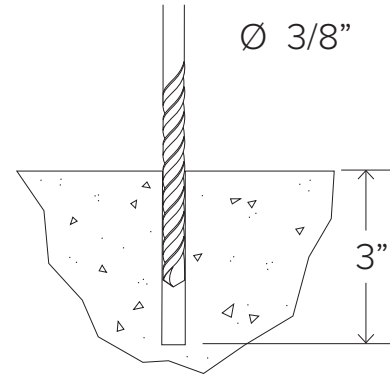
Solid concrete is the best base material for installation. To ensure the proper anchors are shipped with your rack, ask your Dero representative which anchor is appropriate for your application. Be sure nothing is underneath the base material that could be damaged by drilling.

1



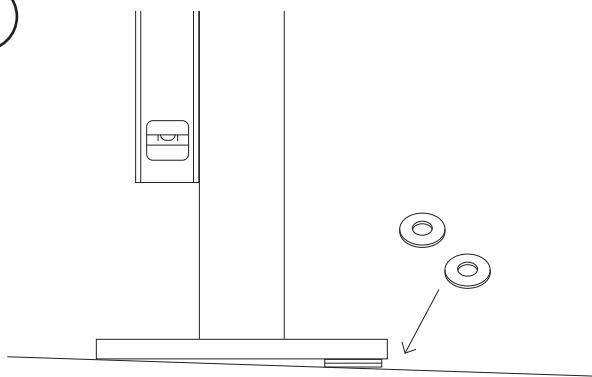
Place the rack in the desired location. Use a marker or pencil to outline the holes of the flange onto the base material.

2



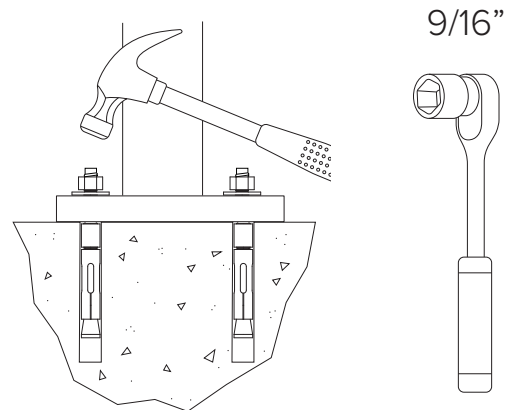
Drill 3/8" diameter holes 3" deep into surface. Make sure the holes are at least 3" away from any cracks in the base material.

3



Use washers to level rack if necessary.

4



Thread nuts onto anchors, leaving approximately 1/4" of the anchor protruding, and tap into surface. Tighten nuts down to secure rack.

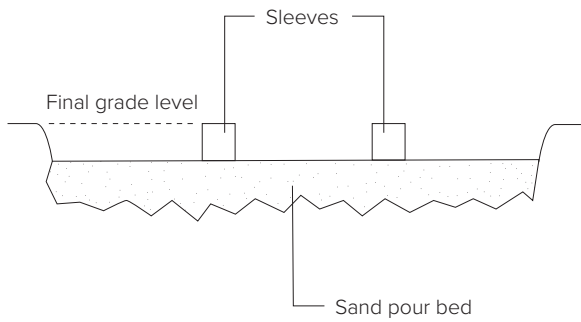


TOOLS NEEDED

Level
Cement mixing tub
Shovel

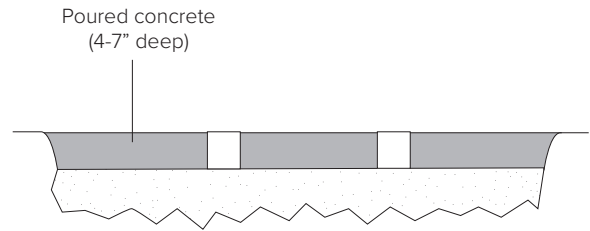
Trowel
Corrosion-Resistant Sleeve (min. 4" diameter)
Materials to build brace (see "Install Tip" at bottom of page)

1



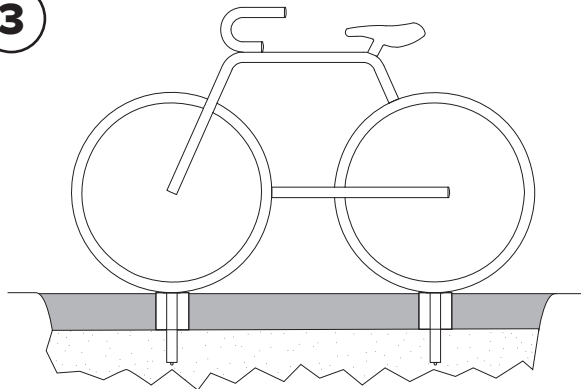
Place corrosion resistant sleeve (min. 4" inside diameter) in sand pour bed in exact location where rack will be installed. Make sure top of sleeve is at same level as desired finished concrete surface. Fill sleeve with sand to keep it in place and prevent it from filling with concrete.

2



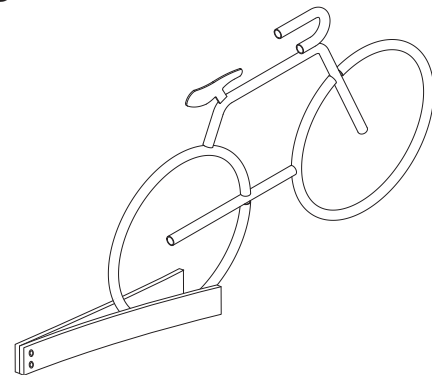
Pour concrete and allow to cure.

3



After appropriate cure time, dig out sand from sleeves and insert rack, making sure it is level and at the appropriate height. Pour in Super Por-Rok or epoxy grout and allow to set.

TIP



An easy way to brace the Bike Bike Rack while the grout sets is to bolt two 1x4" boards together at one end and clamp them onto the wheel of the rack like a clothes pin.

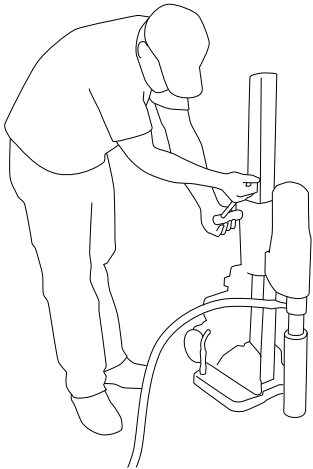


TOOLS NEEDED

Level
Cement mixing tub
Shovel
Access to water hose

Trowel
Hole coring machine with 4" bit
Materials to build brace (see "Install Tip" at bottom of page)

1

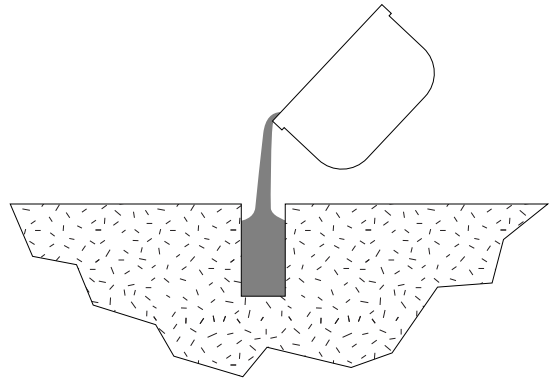


Ø 4" min.

↓ 11" min.

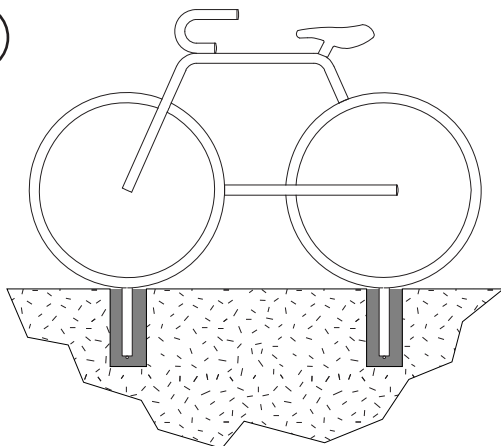
Core holes no less than 4" diameter and no less than 11" deep into sidewalk.

2



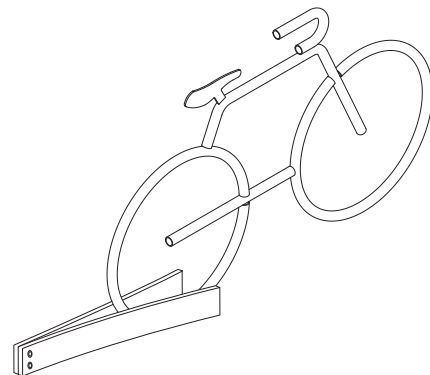
Fill holes with Super Por-Rok or epoxy grout.

3



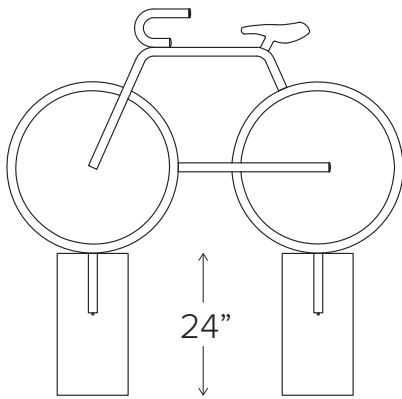
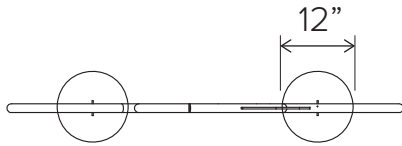
Place rack into holes, making sure the rack is level until the grout has set.

TIP

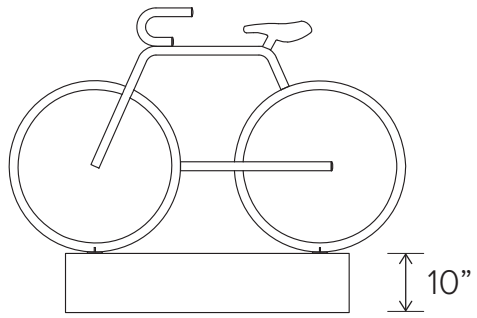
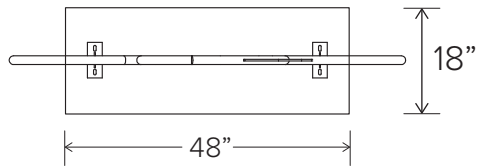


An easy way to brace the rack while the grout sets is to bolt two 1x4" boards together at one end and clamp them onto the wheel of the rack like a clothes pin.

IN-GROUND MOUNT



SURFACE MOUNT



(or standard 4" sidewalk slab)