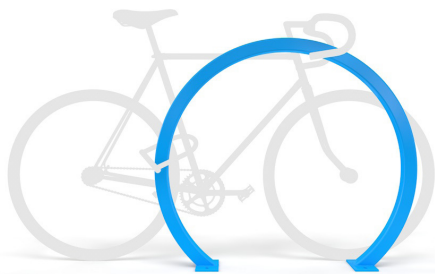




DERO
A PLAYCORE Company



Arc Rack™

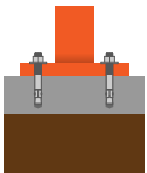
Elegant and practical: the Dero Arc Rack parks bicycles with additional flair when more than a plain rack is needed. Square tubing provides function and style with clean geometric lines and resistance to pipe-cutters – a tool of choice among bike thieves. Parks two bikes.



MOUNT OPTIONS

Surface

In-Ground



Tamper-resistant fasteners available for an additional cost

FINISH OPTIONS

Galvanized

Stainless

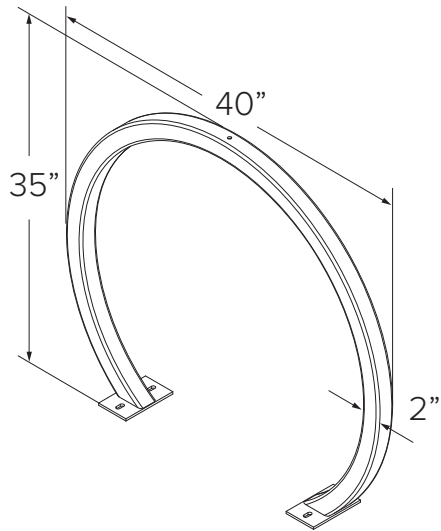


Powder Coat

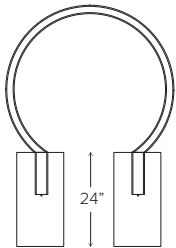
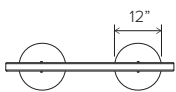
- | | | | | |
|---|--|---|---|--|
|  White |  Black |  Light Gray
RAL 7042 |  Deep Red
RAL 3003 |  Yellow
RAL 1023 |
|  CNH Bright Yellow |  Orange
RAL 2004 |  Beige
RAL 1001 |  Iron Gray
RAL 7011 |  Hunter Green
RAL 6005 |
|  Light Green
RAL 6018 |  Green
RAL 6016 |  Sepia Brown
RAL 8014 |  Blue
RAL 5005 |  Sky Blue
RAL 5015 |
|  Dark Purple |  Flat Black |  Wine Red
RAL 3005 |  Bronze |  Silver
RAL 9007 |

OPTIONAL LEAN BAR

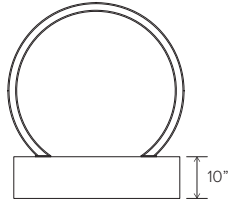
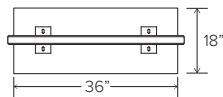




IN-GROUND MOUNT



SURFACE MOUNT



(or standard 4" sidewalk slab)

CAPACITY 2 Bikes

MATERIALS 2" x 2" x 11g square tube

FINISHES

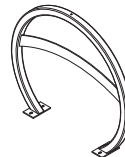
- Galvanized**
An after fabrication hot dipped galvanized finish is our standard option.
- Powder Coat**
Our powder coat finish assures a high level of adhesion and durability by following these steps:
1. Sandblast
2. Epoxy primer electrostatically applied
3. Final thick TGIC polyester powder coat
- Stainless**
Stainless Steel: 304 grade stainless steel material finished in either a high polished shine or a satin finish.

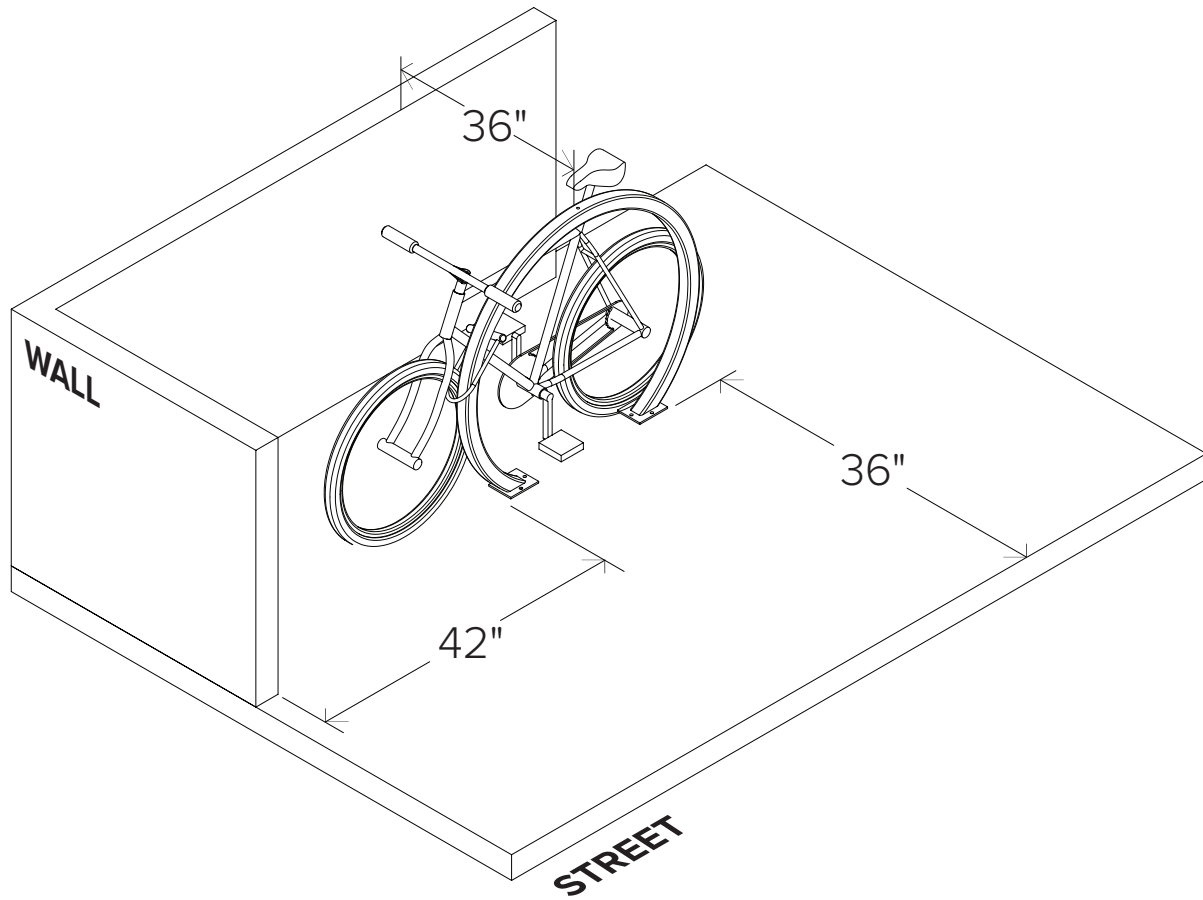
MOUNT OPTIONS

- Surface**
Foot Mount has two 2.5" x 6" x .25" feet with two anchors per foot. Specify foot mount for this option. Tamper-resistant fasteners available upon request.
- In-Ground**
In-ground mount is embedded into concrete base. Specify in-ground mount for this option.

OPTIONAL LEAN BAR

- Add Lean Bar**



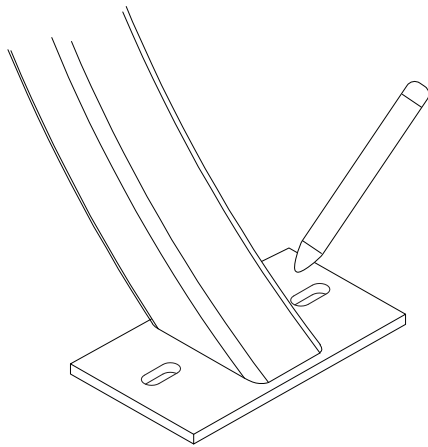


**TOOLS NEEDED**

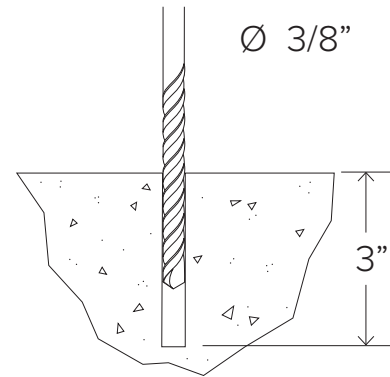
Tape Measure
Marker or Pencil
Masonry Drill Bit 3/8"
Drill (Hammer drill recommended)
Hammer
Wrench 9/16"
Level

RECOMMENDED BASE MATERIAL

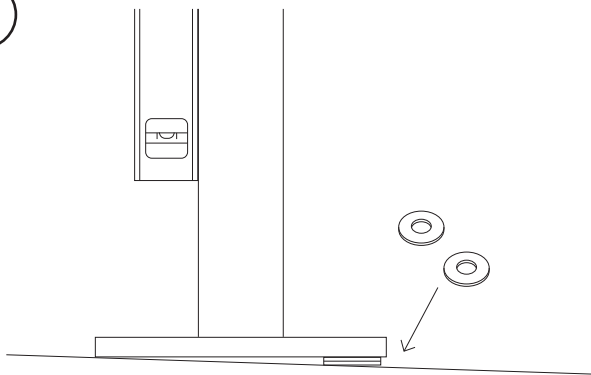
Solid concrete is the best base material for installation. To ensure the proper anchors are shipped with your rack, ask your Dero Rack representative which anchor is appropriate for your application. Be sure nothing is underneath the base material that could be damaged by drilling.

1

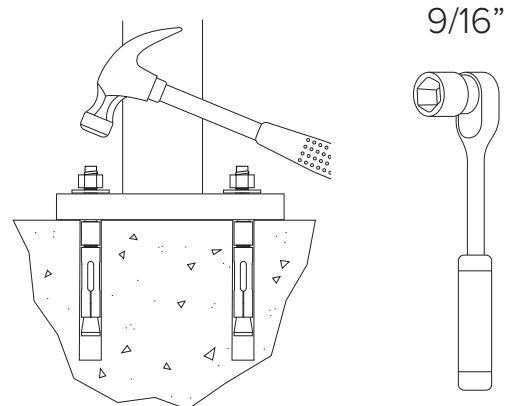
Place the rack in the desired location. Use a marker or pencil to outline the holes of the flange onto the base material.

2

Drill 3/8" diameter holes 3" deep into surface. Make sure the holes are at least 3" away from any cracks in the base material.

3

Place rack (and washers to level rack if necessary) over holes.

4

Thread nuts onto anchors, leaving approximately 1/4" of the anchor protruding, and tap into surface. Tighten nuts down to secure rack.

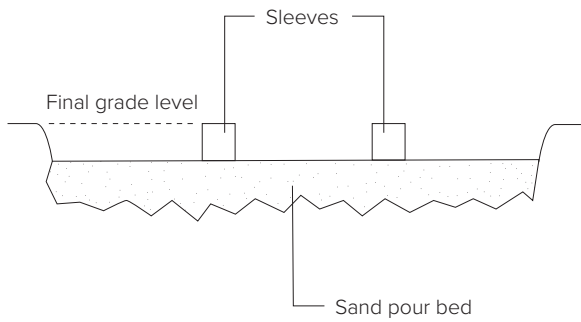


TOOLS NEEDED

Level
Cement mixing tub
Shovel

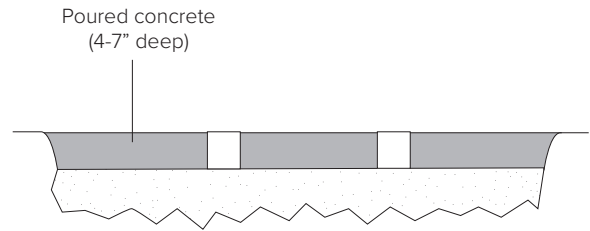
Trowel
Corrosion-Resistant Sleeve (min. 4" diameter)
Materials to build brace (see "Install Tip" at bottom of page)

1



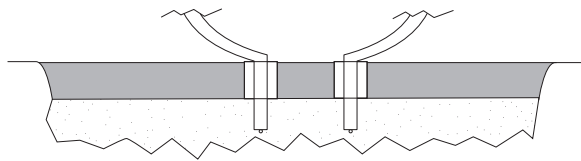
Place corrosion resistant sleeve (min. 4" inside diameter) in sand pour bed in exact location where rack will be installed. Make sure top of sleeve is at same level as desired finished concrete surface. Fill sleeve with sand to keep it in place and prevent it from filling with concrete.

2



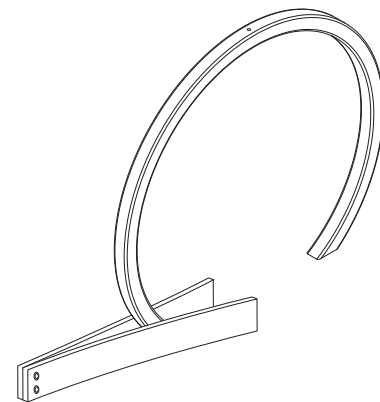
Pour concrete and allow to cure.

3



After appropriate cure time, dig out sand from sleeves and insert racks, making sure they are level and at the appropriate height. Pour in Super Por-Rok or epoxy grout and allow to set.

TIP



An easy way to brace the Arc Rack while the grout sets is to bolt two 1x4" boards together at one end and clamp them onto the legs of the Arc Rack like a clothes pin.

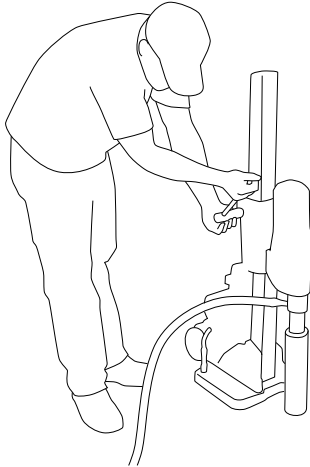


TOOLS NEEDED

Level
Cement mixing tub
Shovel
Access to water hose

Trowel
Hole coring machine with 6" bit
Materials to build brace (see "Install Tip" at bottom of page)

1

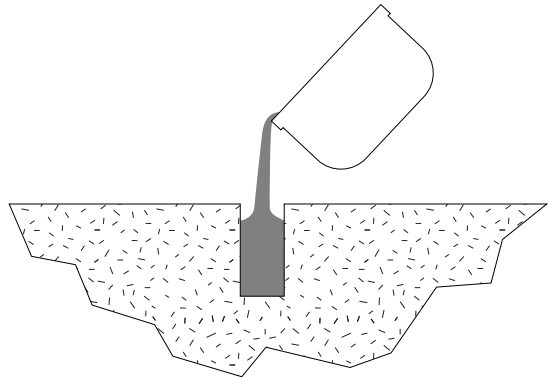


Ø 6" min.

↓ 11" min.

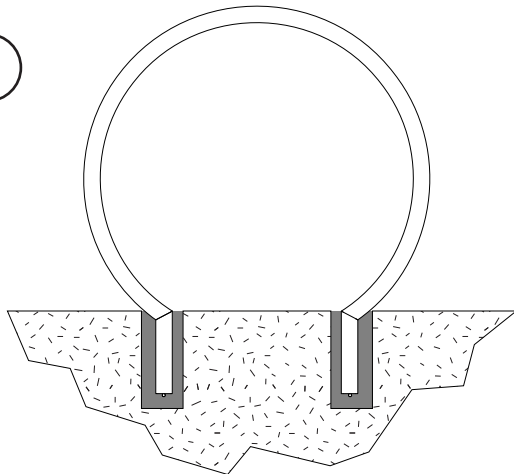
Core holes no less than 6" diameter and no less than 11" deep into sidewalk.

2



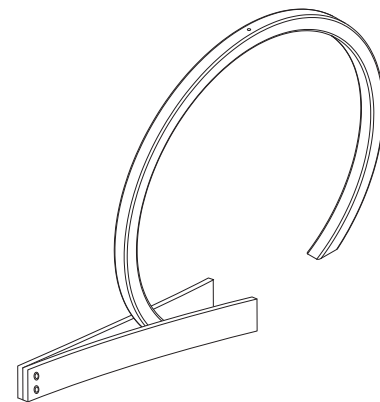
Fill holes with Super Por-Rok or epoxy grout.

3



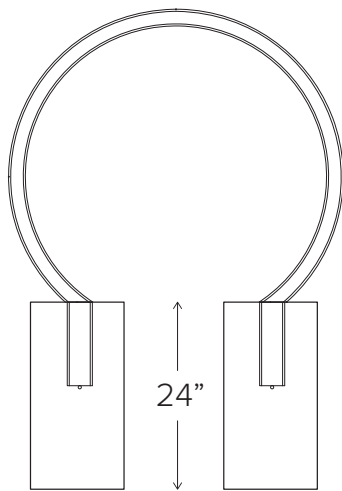
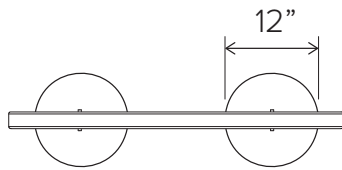
Place Arc Rack into holes, making sure the rack is level until the grout has set. The welds at the base should be just below the surface.

TIP



An easy way to brace the Arc Rack while the grout sets is to bolt two 1x4" boards together at one end and clamp them onto the legs of the Arc Rack like a clothes pin.

IN-GROUND MOUNT



SURFACE MOUNT

