



DERO
A PLAYCORE Company



Alley Rack™

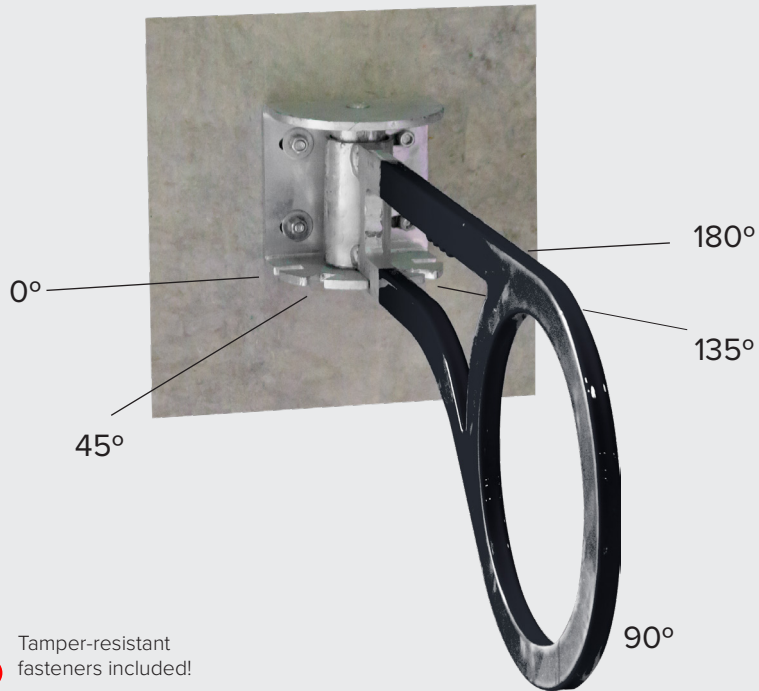
The Alley Rack's™ arm swings a full 180°, offering a variety of locking positions to accommodate for limited space, and its 5/8" thick steel construction provides a strong deterrent to would-be thieves. Parks two bikes.

Patent D774,423

©2021

A NEW ANGLE ON BIKE PARKING

The hinged arm of the Alley Rack allows you to set your bike parking to the best angle for your space. When not in use, you may fold the Alley Rack flat against the wall.



Tamper-resistant fasteners included!



FINISH OPTIONS

PVC Dip

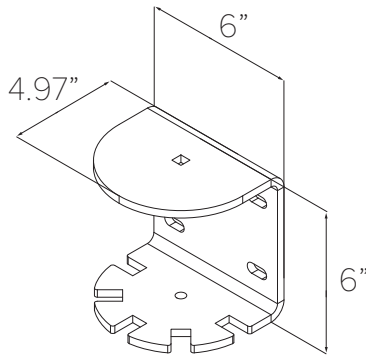
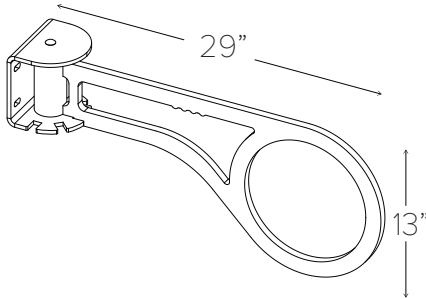




DERO
A PLAYCORE Company

Alley Rack

Submittal Sheet



CAPACITY 2 Bikes

MATERIALS 2" x 2" x 3/16" square tube - mild steel
2" x 2" x 11g square tube - stainless steel

FINISHES **PVC Dip**
Black PVC

MOUNT OPTIONS **Wall-only mount**
Wall mount bracket features four anchor holes for 3/8" bolts.
Tamper-resistant fasteners are included.

Wall Mount

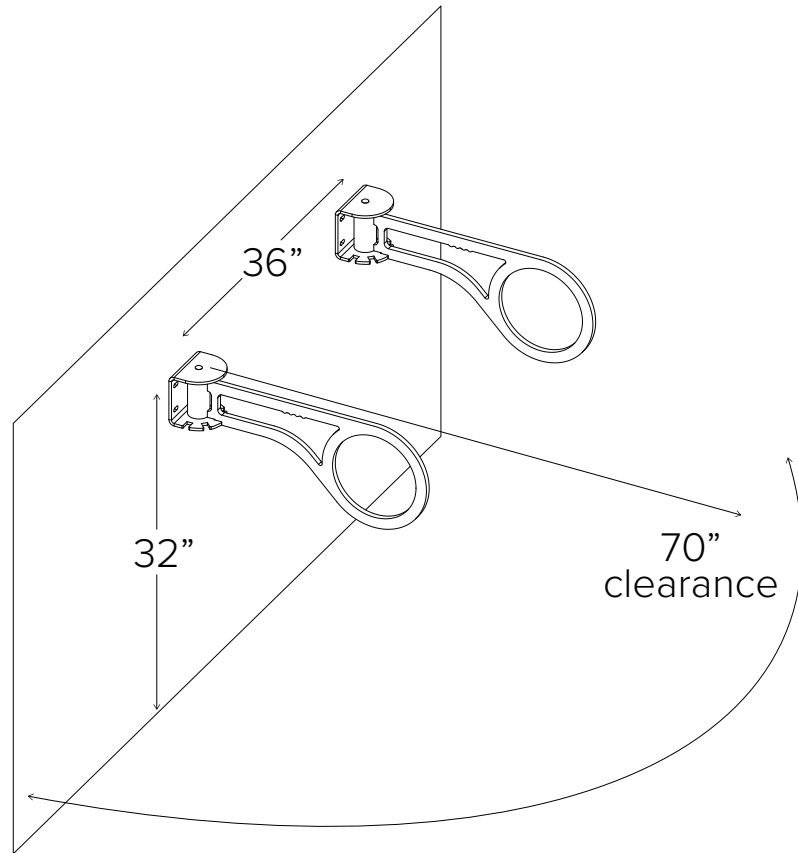
The top of the base should be 32" off the ground.

Distance Between Racks

36" is the minimum distance between racks.

Clearance

When the Alley Rack is in use A 70" radius should be left clear around the rack.

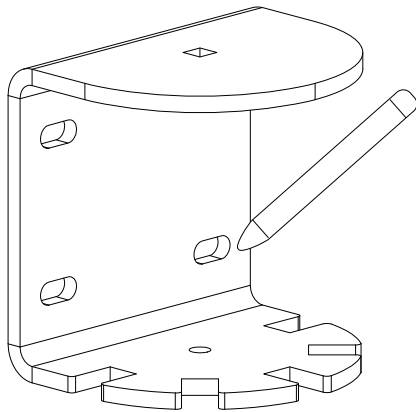



TOOLS NEEDED

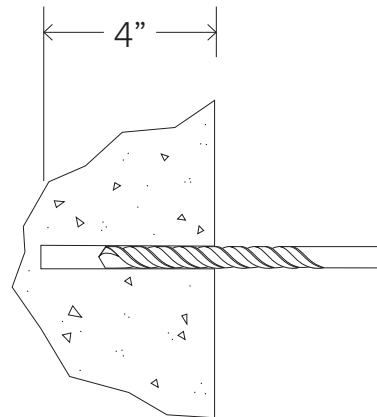
Marker or Pencil
 Drill (Hammer drill recommended)
 Hammer
 9/16" Socket or Wrench

RECOMMENDED BASE MATERIAL

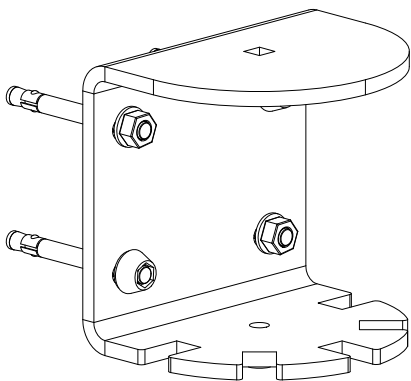
The Alley Rack must be mounted to a wall strong enough to accommodate repeated rack use and proper concrete anchor installation. For solid concrete walls a 3/8" x 3.75" wedge anchor will be used. For hollow concrete walls or hollow block concrete walls a 1/2" x 2.25" sleeve anchor will be used. Unsupported drywall and metal studs are not suitable.

1


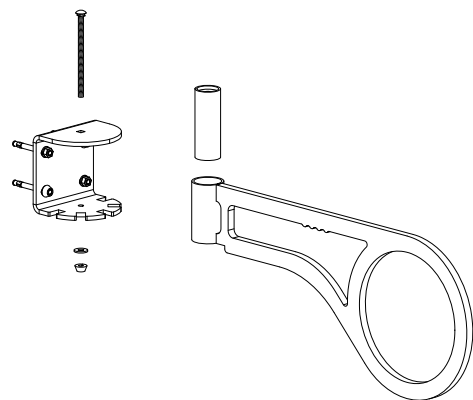
Place the Alley Rack base on the wall where it's to be installed with the top of the base 32" from the ground. Use the base as a template and mark the wall through the (4) mounting holes.

2


For **solid concrete**, drill 3/8" diameter holes about 4" deep. For **hollow concrete** walls or hollow concrete block, drill 1/2" diameter holes through the wall. If the wall type is **not known**, drill 3/8" diameter holes. If the wall is solid then stop and use 3/8" wedge anchors. If the wall is hollow then use the 3/8" diameter holes as pilot holes for a 1/2" drill.

3


For **solid concrete**, hammer in the wedge anchors through the base and into the wall. Tighten (2) of the hex nuts and replace the other (2) hex nuts with Penta nuts and tighten. For **hollow concrete**, hammer the sleeve anchors directly into the wall. Tighten all (4) nuts until the anchors are set. Remove the nuts and place the base over the anchors. Tighten (2) hex nuts on the anchors and tighten (2) Penta nuts on the remaining anchors.

4


Place the pin through the arm hinge and secure to the base with a 3/8" x 6.5" carriage bolt, 3/8" washer, and Penta nut.