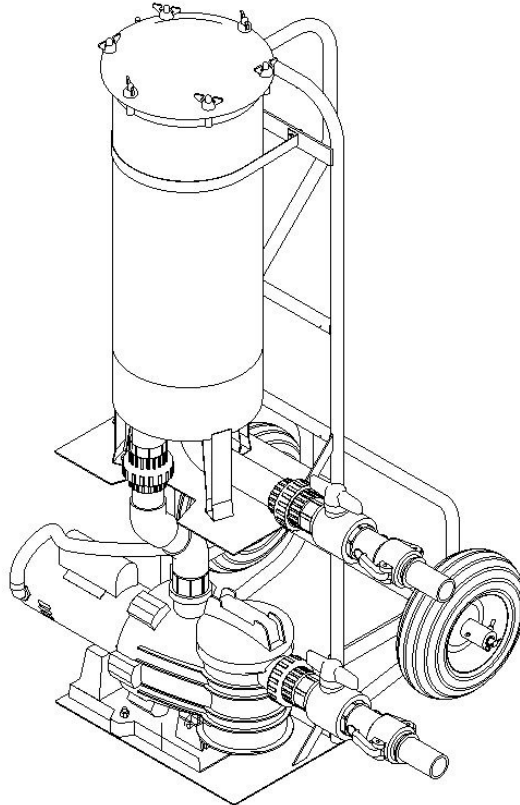


# Wildcat Electric Portable Filtration System



**Part Number 10610, 10620, 10670**

***SPECTRUM***<sup>®</sup>  
***Aquatics***

A **PLAYCORE** Company

7100 Spectrum Lane ~ Missoula MT 59808  
800.791.8056 ~ [www.spectrumproducts.com](http://www.spectrumproducts.com)

10670 Man Rev B

You have purchased a Spectrum Products Wildcat Electric Portable Filtration System. Providing the unit is installed correctly and properly maintained, it will furnish you with many years of trouble free use. It is important to read this entire manual prior to beginning assembly or operation.

### **Shipping Information:**

Each Wildcat Pump will arrive fully assembled on one pallet. Before accepting the lift from the carrier, inspect for visible damage and match the contents with those listed below. Spectrum is not responsible for lost or damaged freight.

The pallet will contain all structural components and hardware.

NOTE: Vacuum does not include intake hoses or cleaning attachments.

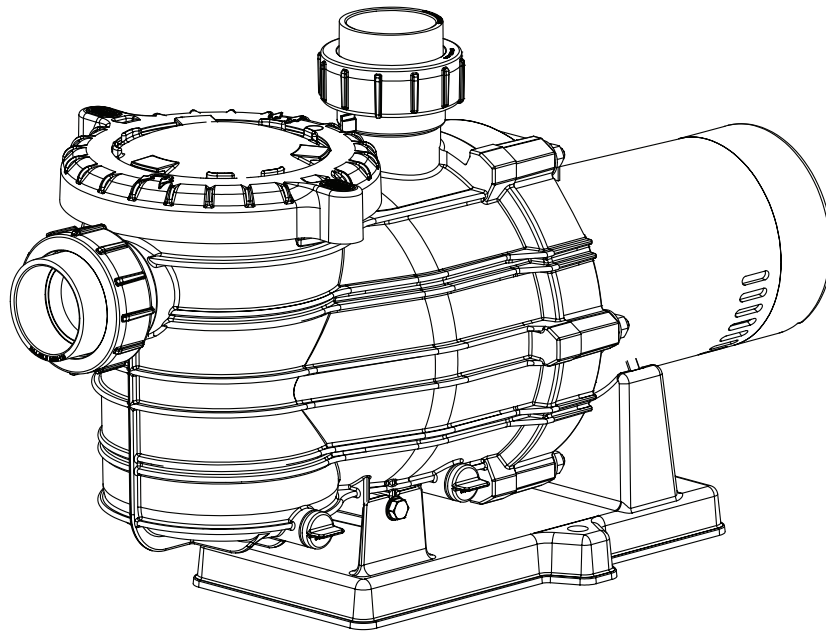
### **Operation Guide**

Please follow the attached instructions for setup and use of your new Portable Filtration System. If you require assistance or have technical questions please contact your local distributor or Spectrum Customer Service at (406) 532-6321.



# DYNA-PRO<sup>®</sup>

## SELF-PRIMING POOL/SPA PUMP



# INSTALLATION AND USER'S GUIDE

IMPORTANT SAFETY INSTRUCTIONS  
*READ AND FOLLOW ALL INSTRUCTIONS*  
SAVE THESE INSTRUCTIONS

## CUSTOMER SERVICE / TECHNICAL SUPPORT

If you have questions about ordering Pentair Aquatic Systems replacement parts, and pool products, please contact:

**Customer Service and Technical Support, USA**  
 (8 A.M. to 4:30 P.M. — Eastern/Pacific Times)  
 Phone: (800) 831-7133  
 Fax: (800) 284-4151

**Web site**

Visit [www.pentairpool.com](http://www.pentairpool.com) or [www.staritepool.com](http://www.staritepool.com) for information about Pentair products.

**Sanford, North Carolina** (8 A.M. to 4:30 P.M. ET)  
 Phone: (919) 566-8000  
 Fax: (919) 566-8920

**Moorpark, California** (8 A.M. to 4:30 P.M. PT)  
 Phone: (805) 553-5000 (Ext. 5591)  
 Fax: (805) 553-5515

## TABLE OF CONTENTS

<b>Important Pump Warning and Safety Instructions .....</b>	<b>ii</b>	<b>Operation .....</b>	<b>4</b>
<b>Installation .....</b>	<b>1</b>	Pressure Test	4
Location	1	Priming the Pump	4
Piping	1	Draining the Pump	4
Taping Instructions	1	Winterizing	4
Fittings	1	Start-up for Winterized Equipment	5
Pump Suction Requirements	2	<b>Maintenance .....</b>	<b>6</b>
Suction Outlet Covers	2	Cleaning the Strainer Basket	6
Testing and Certification	2	Pump Disassembly / Removing Old Seal	6
Water Velocity	2	Pump Reassembly / Installing New Seal	7
Electrical Installation	3	<b>Troubleshooting .....</b>	<b>8</b>
Wiring	3	<b>Replacement Parts .....</b>	<b>9</b>
Grounding	3	Motor Table	9
Bonding	3	Parts List	10

## Pump Models

SINGLE SPEED MODELS			
HP	MPRA Series	MPE Series	MPEA Series
1/2		MPE6C-204L	
3/4	MPRA6D-204L	MPE6D-205L	MPEA6D-204L
1	MPRA6E-205L	MPE6E-206L	MPEA6E-205L
1-1/2			MPEA6F-206L
2		MPE6G-208L	MPEA6G-207L
2-1/2			MPEAA6G-208L
TWO SPEED MODELS			
HP	MPRA Series	MPE Series	MPEA Series
1-1/2	MPRA6YF-206L		
2		MPE6YG-208L	
2-1/2			MPEAA6YG-208L

P/N S771 Rev. D 4/4/17

# IMPORTANT PUMP WARNING AND SAFETY INSTRUCTIONS



## IMPORTANT NOTICE

This guide provides installation and operation instructions for this pump. Consult Pentair with any questions regarding this equipment.

**Attention Installer:** This guide contains important information about the installation, operation and safe use of this product. This information should be given to the owner and/or operator of this equipment after installation or left on or near the pump.

**Attention User:** This manual contains important information that will help you in operating and maintaining this product. Please retain it for future reference.

## READ AND FOLLOW ALL INSTRUCTIONS SAVE THESE INSTRUCTIONS



This is the safety alert symbol. When you see this symbol on your system or in this manual, look for one of the following signal words and be alert to the potential for personal injury.

### **⚠ DANGER**

Warns about hazards that can cause death, serious personal injury, or major property damage if ignored.

### **⚠ WARNING**

Warns about hazards that may cause death, serious personal injury, or major property damage if ignored.

### **⚠ CAUTION**

Warns about hazards that may or can cause minor personal injury or property damage if ignored.

### **NOTE**

Indicates special instructions not related to hazards.

Carefully read and follow all safety instructions in this manual and on equipment. Keep safety labels in good condition; replace if missing or damaged.

When installing and using this electrical equipment, basic safety precautions should always be followed, include the following:

**⚠ WARNING** Do not permit children to use this product.

**⚠ WARNING** **RISK OF ELECTRICAL SHOCK.** Connect only to a branch circuit protected by a ground-fault circuit-interrupter (GFCI). Contact a qualified electrician if you cannot verify that the circuit is protected by a GFCI.

**⚠ WARNING** This unit must be connected only to a supply circuit that is protected by a ground-fault circuit-interrupter (GFCI). Such a GFCI should be provided by the installer and should be tested on a routine basis. To test the GFCI, push the test button. The GFCI should interrupt power. Push the reset button. Power should be restored. If the GFCI fails to operate in this manner, the GFCI is defective. If the GFCI interrupts power to the pump without the test button being pushed, a ground current is flowing, indicating the possibility of an electric shock. Do not use this pump. Disconnect the pump and have the problem corrected by a qualified service representative before using.

**⚠ CAUTION** This pump is for use with permanent swimming pools and may also be used with hot tubs and spas if so marked. Do not use with storable pools. A permanently-installed pool is constructed in or on the ground or in a building such that it cannot be readily disassembled for storage. A storable pool is constructed so that it is capable of being readily disassembled for storage and reassembled to its original integrity.

## General Warnings

- Never open the inside of the drive motor enclosure. There is a capacitor bank that holds a 230 VAC charge even when there is no power to the unit.
- The pump is not submersible.
- The pump is capable of high flow rates; use caution when installing and programming to limit pumps performance potential with old or questionable equipment.
- Code requirements for electrical connection differ from country to country, state to state, as well as local municipalities. Install equipment in accordance with the National Electrical Code and all applicable local codes and ordinances.
- Before servicing the pump; switch OFF power to the pump by disconnecting the main circuit to the pump.
- This appliance is not intended for use by persons (including children) of reduced physical, sensory or mental capabilities, or lack of experience and knowledge, unless they have been given supervision or instruction concerning the use of the appliance by a person responsible for their safety.

**⚠ DANGER** FAILURE TO FOLLOW ALL INSTRUCTIONS AND WARNINGS CAN RESULT IN SERIOUS BODILY INJURY OR DEATH. **THIS PUMP SHOULD BE INSTALLED AND SERVICED ONLY BY A QUALIFIED POOL SERVICE PROFESSIONAL. INSTALLERS, POOL OPERATORS AND OWNERS MUST READ THESE WARNINGS AND ALL INSTRUCTIONS IN THE OWNER'S MANUAL BEFORE USING THIS PUMP. THESE WARNINGS AND THE OWNER'S MANUAL MUST BE LEFT WITH THE POOL OWNER.**

**⚠ DANGER** SUCTION ENTRAPMENT HAZARD: STAY OFF THE MAIN DRAIN AND AWAY FROM ALL SUCTION OUTLETS!



THIS PUMP PRODUCES HIGH LEVELS OF SUCTION AND CREATES A STRONG VACUUM AT THE MAIN DRAIN AT THE BOTTOM OF THE BODY OF WATER. THIS SUCTION IS SO STRONG THAT IT CAN TRAP ADULTS OR CHILDREN UNDER WATER IF THEY COME IN CLOSE PROXIMITY TO A DRAIN OR A LOOSE OR BROKEN DRAIN COVER OR GRATE.

THE USE OF UNAPPROVED COVERS OR ALLOWING USE OF THE POOL OR SPA WHEN COVERS ARE MISSING, CRACKED OR BROKEN CAN RESULT IN BODY OR LIMB ENTRAPMENT, HAIR ENTANGLEMENT, BODY ENTRAPMENT, EVISCERATION AND/OR DEATH.

The suction at a drain or outlet can cause:

**Limb Entrapment:** When a limb is sucked or inserted into an opening resulting in a mechanical bind or swelling. This hazard is present when a drain cover is missing, broken, loose, cracked or not properly secured.

**Hair Entanglement:** When the hair tangles or knots in the drain cover, trapping the swimmer underwater. This hazard is present when the flow rating of the cover is too small for the pump or pumps.

**Body Entrapment:** When a portion of the body is held against the drain cover trapping the swimmer underwater. This hazard is present when the drain cover is missing, broken or the cover flow rating is not high enough for the pump or pumps.

**Evisceration/Disembowelment:** When a person sits on an open pool (particularly a child wading pool) or spa outlet and suction is applied directly to the intestines, causing severe intestinal damage. This hazard is present when the drain cover is missing, loose, cracked, or not properly secured.

# IMPORTANT PUMP WARNING AND SAFETY INSTRUCTIONS

**Mechanical Entrapment:** When jewelry, swimsuit, hair decorations, finger, toe or knuckle is caught in an opening of an outlet or drain cover. This hazard is present when the drain cover is missing, broken, loose, cracked, or not properly secured.

**NOTE: ALL SUCTION PLUMBING MUST BE INSTALLED IN ACCORDANCE WITH THE LATEST NATIONAL AND LOCAL CODES, STANDARDS AND GUIDELINES.**

**WARNING** TO MINIMIZE THE RISK OF INJURY DUE TO SUCTION ENTRAPMENT HAZARD:

- A properly installed and secured ANSI/ASME A112.19.8 approved anti-entrapment suction cover must be used for each drain.
- Each suction cover must be installed at least three (3') feet apart, as measured from the nearest point to nearest point.
- Regularly inspect all covers for cracks, damage and advanced weathering.
- If a cover becomes loose, cracked, damaged, broken or is missing, replace with an appropriate certified cover.
- Replace drain covers as necessary. Drain covers deteriorate over time due to exposure to sunlight and weather.
- Avoid getting hair, limbs or body in close proximity to any suction cover, pool drain or outlet.
- Disable suction outlets or reconfigure into return inlets.

**WARNING** A clearly labeled emergency shut-off switch for the pump must be in an easily accessible, obvious place.

Make sure users know where it is and how to use it in case of emergency.

**The Virginia Graeme Baker (VGB) Pool and Spa Safety Act** creates new requirements for owners and operators of commercial swimming pools and spas.

Commercial pools or spas constructed on or after December 19, 2008, shall utilize:

(A) A multiple main drain system without isolation capability with suction outlet covers that meet ASME/ANSI A112.19.8a Suction Fittings for Use in Swimming Pools, Wading Pools, Spas, and Hot Tubs and either:

- (i) A safety vacuum release system (SVRS) meeting ASME/ANSI A112.19.17 Manufactured Safety Vacuum Release systems (SVRS) for Residential and Commercial Swimming Pool, Spa, Hot Tub, and Wading Pool Suction Systems and/or ASTM F2387 Standard Specification for Manufactured Safety Vacuum Release Systems (SVRS) for Swimming pools, Spas and Hot Tubs or
- (ii) A properly designed and tested suction-limiting vent system or
- (iii) An automatic pump shut-off system.

Commercial pools and spas constructed prior to December 19, 2008, with a single submerged suction outlet shall use a suction outlet cover that meets ASME/ANSI A112.19.8a and either:

- (A) A SVRS meeting ASME/ANSI A112.19.17 and/or ASTM F2387, or
- (B) A properly designed and tested suction-limiting vent system, or
- (C) An automatic pump shut-off system, or
- (D) Disabled submerged outlets, or
- (E) Suction outlets shall be reconfigured into return inlets.

**For Installation of Electrical Controls at Equipment Pad (ON/OFF Switches, Timers and Automation Load Center)**

**CAUTION** Install all electrical controls at equipment pad, such as on/off switches, timers, and control systems, etc. to allow the operation (startup, shut-down, or servicing) of any pump or filter so the user does not place any portion of his/her body over or near the pump strainer lid, filter lid or valve closures. This installation should allow the user enough space to stand clear of the filter and pump during system start-up, shut down or servicing of the system filter.



**⚠ DANGER**

**HAZARDOUS PRESSURE: STAND CLEAR OF PUMP AND FILTER DURING START UP**



Circulation systems operate under high pressure. When any part of the circulating system (i.e. locking ring, pump, filter, valves, etc.) is serviced, air can enter the system and become pressurized.

Pressurized air can cause the pump housing cover, filter lid, and valves to violently separate which can result in severe personal injury or death. Filter tank lid and strainer cover must be properly secured to prevent violent separation. Stand clear of all circulation system equipment when turning on or starting up pump.

Before servicing equipment, make note of the filter pressure. Be sure that all controls are set to ensure the system cannot inadvertently start during service. Turn off all power to the pump. **IMPORTANT: Place filter manual air relief valve in the open position and wait for all pressure in the system to be relieved.**

Before starting the system, fully open the manual air relief valve and place all system valves in the "open" position to allow water to flow freely from the tank and back to the tank. Stand clear of all equipment and start the pump.

**IMPORTANT: Do not close filter manual air relief valve until all pressure has been discharged from the valve and a steady stream of water appears.** Observe filter pressure gauge and be sure it is not higher than the pre-service condition.

## General Installation Information

- All work must be performed by a qualified service professional, and must conform to all national, state, and local codes.
- Install to provide drainage of compartment for electrical components.
- These instructions contain information for a variety of pump models and therefore some instructions may not apply to a specific model. All models are intended for use in swimming pool applications. The pump will function correctly only if it is properly sized to the specific application and properly installed.

**WARNING** Pumps improperly sized or installed or used in applications other than for which the pump was intended can result in severe personal injury or death. These risks may include but not be limited to electric shock, fire, flooding, suction entrapment or severe injury or property damage caused by a structural failure of the pump or other system component.

**WARNING** The pump can produce high levels of suction within the suction side of the plumbing system. These high levels of suction can pose a risk if a person comes within the close proximity of the suction openings. A person can be seriously injured by this high level of vacuum or may become trapped and drown. It is absolutely critical that the suction plumbing be installed in accordance with the latest national and local codes for swimming pools.

Warnings and safety instructions for Pentair Aquatic Systems pumps and other related products are available at: <http://www.pentairpool.com/pool-owner/safety-warnings/> or call (800) 831-7133 for additional free copies of these instructions.

Please refer to <http://www.pentairpool.com/pool-owner/safety-warnings/> for warning and safety instructions related to the this product.

## SAVE THESE INSTRUCTIONS

# INSTALLATION

## ⚠ WARNING

Trapped air in the system can cause permanent equipment damage. Ensure all air is relieved from the system before operating, testing or servicing the equipment.

## ⚠ CAUTION

Do NOT connect system to a high pressure or city water system.

## Location

Only qualified, licensed personnel should install the pump and pump wiring.

Be sure the Dyna-Pro® Self-Priming Pool/Spa Pump equipment pad or plumbing meets the following requirements:

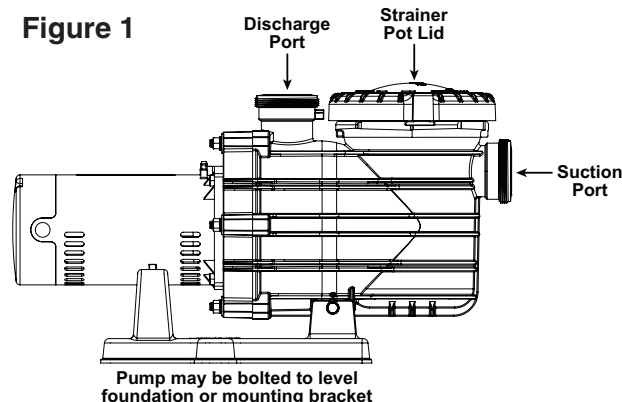
- Pump mount must be solid, level, rigid and minimize vibration. To reduce vibration and stress to piping, bolt the pump to the equipment pad.
- Allow for enough ventilation to maintain air temperature at less than the maximum ambient temperature rating listed on the motor nameplate.
- If installed in an enclosure/pump house, the enclosure must have adequate ventilation and air circulation to keep the temperature inside the enclosure at or below the maximum rated ambient temperature when the pump is running.
- Locate away from corrosive or flammable liquids.
- Suction port should be as close to water level as possible. This pump will not lift water more than 10 ft. (3m).
- To reduce friction losses use short, straight suction pipe.
- Allow for gate valves in both the suction and discharge piping.
- Provide adequate floor drainage to prevent flooding and protect the pump from excess moisture.
- Allow adequate access for servicing pump and piping.

### Port Threads:

Internal - 2" NPT for direct connection to pipe. External - 3" Buttress. Fits Sta-Rite 38405-4094 Union Collar for quick disconnect.

Order: Union Kit #77703-0105 (1.5" and 2" Union Halves).

**Figure 1**



## Piping

1. Use at least 2" (51mm) pipe. Increase size if a long run is needed.
2. Support both the suction and discharge piping independently, placing these supports as close to the pump as possible. This will prevent unnecessary strain on the pump.
3. During piping installation, start all piping and run the pipe away from the pump. This will prevent strain caused by a gap at the last connection.
4. Slope suction pipe slightly upward toward the pump to prevent airlocking.
5. To prevent flooding when removing the pump for service, all flooded suction systems must have a gate valve in both the suction and discharge pipes.
6. For most installations Pentair recommends installing a valve on both the pump suction and return lines so that the pump can be isolated during routine maintenance. However, we also recommend a valve, elbow or tee installed in the suction line should be no closer to the front of the pump than five (5) times the suction line diameter.

**Example:** A 2 inch pipe requires a 10 inch (25.4 cm) straight run in front of the suction inlet of the pump. This will help the pump prime faster and last longer.

**Note:** Do not install 90° elbows directly into the pump inlet or outlet.

## Taping Instructions

1. If connecting threaded pipe directly to the pump, apply one or two layers of thread seal tape to the male pipe threads. Cover the entire threaded portion of the pipe.

**Note:** Do NOT use pipe dope; pipe dope can lead to cracking in some plastics and may damage components in the piping system.

2. If plumbing threaded pipe to the pump using unions, apply thread seal tape between the pipe and union adapter. The union collar should be installed hand-tight. Be sure the union's O-ring is seated correctly in its groove.

**Note:** DO NOT overtighten or tighten past the thread stops within the pump ports.

If leaks occur, remove pipe, clean off old tape, rewrap with one or two layers of new tape and reinstall the piping.

## Fittings

1. Fittings restrict flow. Use the fewest number of fittings possible to maximize system efficiency.
2. Avoid fittings that could lead to air traps in suction piping.
3. Pool and spa drains must conform to International Association of Plumbing and Mechanical Officials (IAPMO) standards.
4. Use only non-entrapping suction fittings and dual suction outlets.

## Pump Suction Requirements

The pump suction system must provide protection against the hazard of suction entrapment or hair entrapment/entanglement.



**WARNING** Pump suction is hazardous and can trap and drown or disembowel bathers. Do not use or operate swimming pools, spas, or hot tubs if a suction outlet cover is missing, broken, or loose. Follow the guidelines below for a pump installation which minimizes risk to users of pools, spas, and hot tubs.

### Suction Outlet Covers

All suction outlet covers must be properly maintained. They must be replaced if cracked, broken or missing. All suction outlets must have correctly installed, screw-fastened covers in place.

Provide at least two hydraulically balanced main drains, with covers, as suction outlets for each circulating pump suction line. The centers of the main drains (suction outlets) on any one suction line must be at least three feet apart.

The system must be built so that it cannot operate with the pump drawing water from only one main drain (that is, there must be at least two main drains connected to the pump whenever it is running – see **Figure 2**). However, if two main drains run into a single suction line, the single suction line may be equipped with a valve which will shut off both main drains from the pump (see **Figure 2**). More than one pump can be connected to a single suction line as long as the requirements above are met.

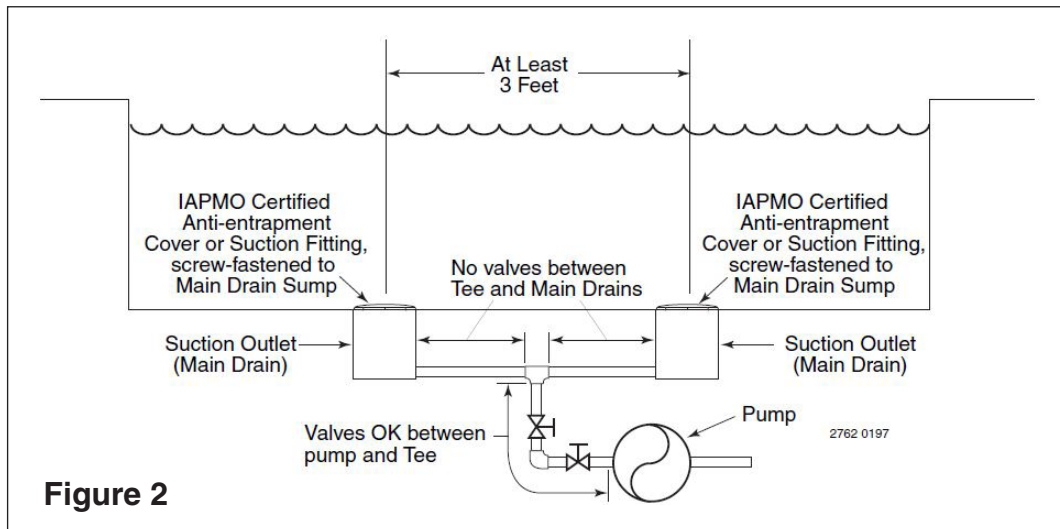
### Testing and Certification

Suction outlet covers must have been tested by a nationally recognized testing laboratory and found to comply with the latest ANSI/ASME Specifications for Suction Fittings For Use in Swimming Pools, Spas, Hot Tubs, and Whirlpool Bathtub Applications.

### Water Velocity

The maximum water velocity through the suction fitting or cover for any suction outlet must not exceed 1.5 feet per second unless the outlet complies with the latest ANSI/ASME Specification for Suction Fittings For Use in Swimming Pools, Spas, Hot Tubs, and Whirlpool Bathtub Applications. In any case, do not exceed the suction fitting's maximum designed flow rate.

If 100% of the pump's flow comes from the main drain system, the maximum water velocity in the pump suction hydraulic system must be six feet per second or less even if one main drain (suction outlet) is completely blocked. The flow through the remaining main drain(s) must comply with the latest ANSI/ASME Specification for Suction Fittings For Use in Swimming Pools, Spas, Hot Tubs, and Whirlpool Bathtub Applications.





## Electrical Installation

### ⚠ WARNING



**RISK OF ELECTRICAL SHOCK OR ELECTROCUTION.** This pump must be installed by a licensed or certified electrician or a qualified service professional in accordance with the National Electrical Code (NEC) and all other applicable national or local codes and ordinances. Improper installation will create an electrical hazard which could result in death or serious injury to users, installers, or others due to electrical shock, and may also cause damage to property.

**Always disconnect power to the pump at the circuit breaker before servicing the pump. Failure to do so could result in death or serious injury to service people, users or others due to electric shock.**

Read all servicing instructions before working on the pump.

### Wiring

1. Be sure all electrical breakers, switches and automatic controls are turned off before wiring motor.

### ⚠ WARNING

**STORED CHARGE** - Wait at least sixty (60) seconds before servicing.

2. Become familiar with the wiring diagram, volts, hertz, amps and phase of your particular pump motor. All of this information is provided on the motor nameplate label found on the side of the motor.
3. Be sure that the supply voltage meets the requirements listed on the motor nameplate. If these requirements are not met, permanent motor damage may occur.
4. For wiring sizes and general guidelines for proper electrical installation, please follow the specifications defined in the National Electrical Code and all other applicable national or local codes.
5. 3-Phase motors require external overload protection. An initial inspection is needed to ensure proper rotation of the pump.

Once installed, momentarily cycle the power on and then off. Note the rotation of the motor fan or shaft as it comes to a stop. If wired correctly the motor shaft and/or fan will match the rotation arrow noted on the pump.

6. Use a strain relief and be sure all electrical connections are clean and tight.
7. Cut the wires to the appropriate length so they do not overlap or touch when connected.

### Grounding

1. Permanently ground the motor using the green ground screw, as shown below. Use the correct wire size and type specified by National Electrical Code. Be sure the ground wire is connected to an electrical service ground.
2. The pump should be permanently connected to either a circuit breaker, 2-pole timer or 2-pole relay.

**Note:** If AC power is supplied by a GFCI circuit breaker, the pump should be wired on its own independent circuit **unless the pump is operated in tandem with a Pentair salt chlorine generator.**

### Bonding

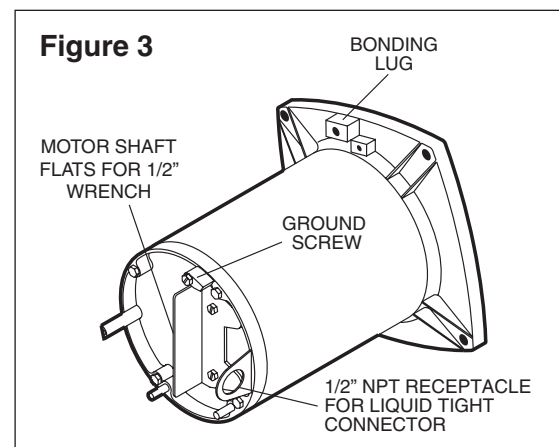
1. Bond the motor to the structure in accordance with the National Electrical Code and all other applicable national or local codes. Use a solid copper bonding conductor not smaller than 8 AWG. For Canadian installations, a 6 AWG or larger solid copper bonding conductor is required. Run a wire from the external bonding screw or lug to the bonding structure.
2. Connect the wire from the accessible bonding lug on the motor to all metal parts of the swimming pool, spa, or hot tub structure and to all electrical equipment, metal conduit, and metal piping within 5 feet (1.52 meters) of the inside walls of the swimming pool, spa, or hot tub. Run a wire from the external bonding screw or lug to the bonding structure.

### ⚠ WARNING

Before establishing or restoring power to the pump, be sure all electrical connections are tight and all electrical and wiring compartment covers are properly installed.

**Note:** When the pump is started and stopped by removing power with a relay or timer, a two-pole device should be used to apply and remove power to both POWER LINE TERMINALS.

*Pentair offers GFCI breakers which offer appropriate personal protection while meeting 2008 to current NEC Standards for Pool Pumps. See Pentair product catalog for details.*



# OPERATION

## CAUTION

DO NOT run the pump dry. If the pump is run dry, the mechanical seal will be damaged and the pump will start leaking. If this occurs, the damaged seal must be replaced. ALWAYS maintain proper water level. If the water level falls below the suction port, the pump will draw air through the suction port, losing the prime and causing the pump to run dry, resulting in a damaged seal. Continued operation in this manner could cause a loss of pressure, resulting in damage to the pump case, impeller and seal and may cause property damage.

## Pressure Test

Before performing pressure tests on the system, make the following safety checks:

1. Be sure all clamps, bolts, lids and system accessories are properly and tightly installed.
2. Release all air in the system.
3. Water pressure during test must not exceed 25 PSI (7.5 kg/cm<sup>2</sup>).
4. Water temperature during test must not exceed 100°F (38°C).
5. Limit pressure test to 24 hours. After test, visually inspect the system to ensure it is ready for operation.

## Priming the Pump

1. Relieve all air from filter and piping system. See the filter owner's manual for correct procedure.
2. In a flooded suction system (water source higher than the pump), the pump will prime itself when suction and discharge valves are opened.
3. If pump is not in a flooded suction system, unscrew and remove strainer cover; fill strainer and pump with water.
4. Clean and inspect O-Ring; reinstall on strainer groove.

**Note:** Do not lubricate the strainer lid O-Ring. The original equipment O-Ring contains a permanent internal lubricant.

**Note:** If you replace the O-Ring with a non-internally lubricated O-Ring, you may need to apply a silicone based lubricant.

5. Replace strainer lid, turning clockwise to tighten the cover. Hand tighten only.
6. Pump should now prime. Priming time will depend on vertical length of suction lift and horizontal length of suction piping.

**Note:** If pump does not prime, make sure that all valves are open, suction pipe end is under water, pump is not trying to lift water more than 10'(3m), and that there are no leaks in suction pipe. See Troubleshooting, Page 8.

## Draining the Pump

### WARNING

**SEPARATION HAZARD!** Purging the system with compressed air can cause components to separate, with risk of severe injury or death to anyone nearby. Use only a low pressure (below 5 PSI), high volume blower when air purging the pump, filter, or piping.

1. Pump down the pool, spa or hot tub water level below all inlets.

### WARNING

**HAZARDOUS VOLTAGE!** To avoid dangerous or fatal electrical shock hazard, turn OFF power to the motor at the circuit breaker before draining the pump.

2. Remove strainer lid (turn counterclockwise). If necessary, tap handles gently with a rubber mallet. Low pressure air can be used to remove remaining water from the piping.
3. Cap inlet piping after draining to keep water out of the pipes.
4. To prevent pump from freezing, remove strainer lid and drain the pump through the two drain plugs provided.
  - Gravity drain system as far as possible.
  - Protect areas which retain water with non-toxic propylene glycol antifreeze ("RV" antifreeze).
5. Clean pump thoroughly; replace strainer lid.
6. Be sure motor is kept dry and covered.

## Winterizing

### CAUTION

Allowing the pump to freeze will damage pump and void warranty

### CAUTION

Do not use anti-freeze solutions (except propylene glycol) in your pool/spa system. Propylene glycol, "RV antifreeze", is non-toxic and will not damage plastic system components; other anti-freezes are highly toxic and may damage plastic components in the system.

1. Drain all water from pump and piping when expecting freezing temperatures or when storing pump for a long time (see instructions below).
2. Keep motor dry and covered during storage.
3. To avoid condensation/corrosion problems, do not cover pump with plastic.

### For outdoor/unprotected installations:

1. Enclose entire system in a weatherproof enclosure.
2. To avoid condensation/corrosion damage, allow ventilation; do not wrap system in plastic.
3. Use a 40% propylene glycol/60% water solution to protect pump to -50°F (-46°C).

## Start-up for Winterized Equipment

1. Remove any temporary weather protection placed around system for shutdown.
2. Follow filter manufacturer's instructions for reactivation of the filter.
3. Inspect all electrical wiring for damage or deterioration over the shutdown period. Have a qualified serviceman repair wiring as needed.
4. Inspect and tighten all watertight connections.
5. Open all valves in suction and return piping.
6. Remove any winterizing plugs in piping system.
7. Drain all antifreeze from system.
8. Close all drain valves and replace all drain plugs in piping system.
9. Prime pump according to *Priming the Pump* on page 4.



## Pump Reassembly / Installing New Seal

**IMPORTANT:** The ceramic seal of the pump's shaft seal must be clean and free of dirt, grease and dust before installing.

1. Wet the outer edge of the ceramic seal with a small amount of liquid detergent. Firmly and squarely press it into the seal plate cavity with your thumbs (see **Figure 6**).
2. If ceramic seal does not seat properly into the seal plate cavity, remove it and place the seal face up on a flat surface. Reclean the seal plate cavity and attempt to reseat the seal.



**Figure 6**

3. If ceramic seal still will not seat correctly in the seal plate, place a cardboard washer over the ceramic seal and use a piece of 3/4" standard pipe to press the seal into place.

**Note:** Be sure not to scratch or mar the surface of the seal. If seal is damaged it will leak.

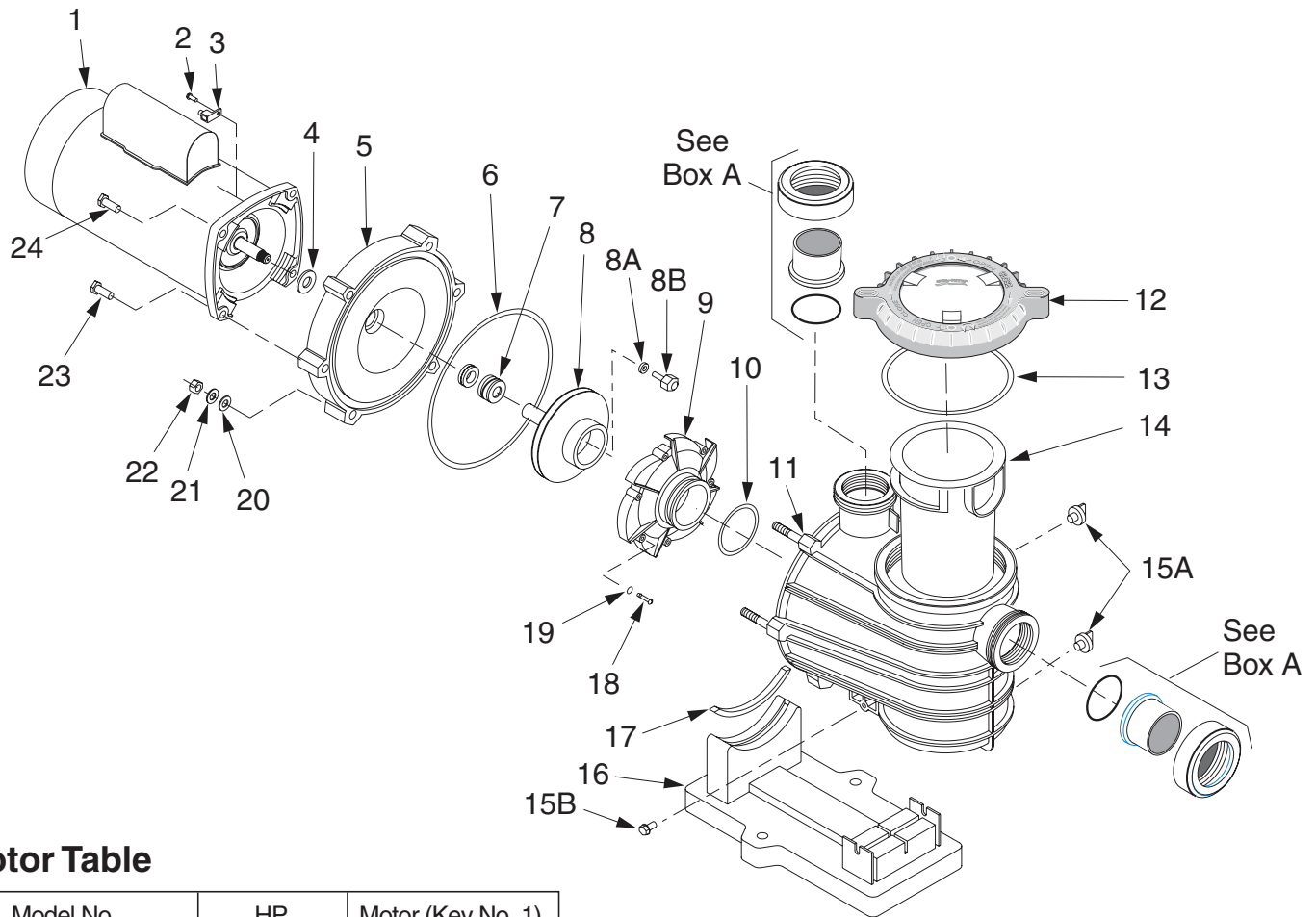
4. Replace the slinger on end of the motor shaft so that the impeller sleeve will push it into position.
5. Remount the seal slate onto the motor using the four (4) motor to seal plate screws. Torque the screws to 60-80 inch-lbs. (69-92 kg/cm).
6. Apply a small amount of liquid detergent to the inside diameter of the rotating seal member.
7. Slide the rotating seal member, polished carbon face outwards, over the impeller sleeve until rubber drive ring hits the back of the impeller.
8. Screw the impeller onto the motor shaft clockwise. The impeller will correctly seat the rotating seal member on the seal plate.

For 2 HP, 2.5 HP and 3-Phase models, install the impeller gasket and lockscrew (left-hand thread). Torque the lock screw to 50-55 inch-lbs (57.6-63 kg/cm).

9. Mount the diffuser onto the seal plate with the seven (7) screws and washers. Torque screws to 10-14 inch/lbs. (11.2-16.1 kg/cm).
10. Assemble the motor and seal plate to the pump body with the seal plate to pump body hardware. Torque nuts to 120-130 in-lbs. (138-150 kg/cm).
11. Reinstall the drain plug into the bottom of the pump body.
12. Open all gate valves in the suction and discharge lines.
13. Reconnect power to the pump at the circuit breaker.
14. Prime the pump according to *Priming the Pump*, on page 4.



# REPLACEMENT PARTS



## Motor Table

Model No.	HP	Motor (Key No. 1)
Single Speed 115/230/60/1		
MPRA6D-204L	3/4	A100DLL
MPRA6E-205L	1	A100ELL
MPRA6F-206L	1-1/2	A100FLL
MPEA6D-204L	3/4	AE100DLL
MPEA6E-205L	1	AE100ELL
MPEA6F-206L	1-1/2	AE100FLL
MPE6C-204L	1/2	AE100CHL
MPE6D-205L	3/4	AE100DHL
MPE6E-206L	1	AE100EHL
230/60/1		
MPRA6G-207L	2	A100GLL
MPEA6G-207L	2	AE100GLL
MPEAA6G-208L	2-1/2	AE100G5LL
MPE6F-207L	1-1/2	AE100FHL
MPE6G-208L	2	AE100GHL
Two Speed 230/60/1		
MPRA6YF-206L	1-1/2	A100FLL-Y
MPEA6YG-207L	2	AE100GLL-Y
MPEAA6YG-208L	2-1/2	AE100G5LL-Y
MPE6YG-208L	2	AE100G5LL-Y

## Box A

For quick disconnect pipe connections, purchase separately:

Pkg. 188 2" Slip 1/2 Union Kit or

Pkg. 189 2" NPT 1/2 Union Kit.

### Kit Includes:

U11-200PS Union Collar

U9-362 O-Ring

U11-196PS 2" Slip adapter OR

U11-199P 2" NPT adapter.

## Parts List

Key No.	Part Description	Qty.	MPEA6D-204L MPE6C-204L MPRA6D-204L	MPEA6E-205L MPE6D-205L MPRA6E-205L	MPEA6F-206L MPE6E-206L MPRA6F-206L MPRA6YF-206L	MPEA6G-207L MPE6F-207L MPEA6YG-207L MPRA6G-207	MPEAA6G-208L MPE6G-208L MPEAA6YG-208L MPE6G-208L
2	Screw #10-32x1/2"	1	U30-692SS	U30-692SS	U30-692SS	U30-692SS	U30-692SS
3	Bonding ug	1	U17-568	U17-568	U17-568	U17-568	U17-568
4	Slinger	1	17351-0009	17351-0009	17351-0009	17351-0009	17351-0009
5	Seal Plate	1	C3-184P	C3-184P	C3-184P	C3-184P	C3-184P
6	Seal Plate Cord Ring	1	U9-373	U9-373	U9-373	U9-373	U9-373
7	Shaft Seal	1	17351-0101S	17351-0101S	17351-0101S	17351-0101S	17351-0101S
8	Impeller	1	C105-236P	C105-236PB	C105-236PC	C105-236PDA	C105-236PEA
8A	Gasket	1	-	-	-	33455-1047	33455-1047
8B	Impeller Lock Screw	1	-	-	-	37337-6080	37337-6080
9	Diffuser	1	C1-270PB	C1-270PC	C1-270P	C1-270P	C1-270P
10	Diffuser O-Ring	1	U9-374	U9-374	U9-374	U9-374	U9-374
10	Diffuser O-Ring (Blue Coating)	1	357098Z	357098Z	357098Z	357098Z	357098Z
11	Tank and Trap Body (Only)	1	C76-71P	C76-71P	C76-71P	C76-71P	C76-71P
12	Trap Lid and Ring Assembly	1	17307-0111S	17307-0111S	17307-0111S	17307-0111S	17307-0111S
13	Trap Cover O-Ring	1	35505-1440	35505-1440	35505-1440	35505-1440	35505-1440
14	Trap Basket	1	C8-58P	C8-58P	C8-58P	C8-58P	C8-58P
15A	Drain Plug	2	U178-920P	U178-920P	U178-920P	U178-920P	U178-920P
15B	Mounting Screw 5/16-14x5/8"	2	U30-919SS	U30-919SS	U30-919SS	U30-919SS	U30-919SS
16	Base - Plastic	1	C4-77P	C4-77P	C4-77P	C4-77P	C4-77P
17	Motor Pad - for Plastic Base	1	C35-45	C35-45	C35-45	C35-45	C35-45
18	Screw #8-32x7/8" Rd. Hd.	7	U30-542SS	U30-542SS	U30-542SS	U30-542SS	U30-542SS
19	Lock Washer #8 Ext. Tooth	7	U43-21SS	U43-21SS	U43-21SS	U43-21SS	U43-21SS
20	Flat Washer 3/8"	6	U43-62SS	U43-62SS	U43-62SS	U43-62SS	U43-62SS
21	Lock Washer 3/8"	6	U43-12SS	U43-12SS	U43-12SS	U43-12SS	U43-12SS
22	Nut 3/8-16 Hex	6	071403	071403	071403	071403	071403
23	Cap Screws 3/8-16x1-1/4" Hex. (LS Suffix)	2	-	-	U30-75SS	U30-75SS	U30-75SS
24	Cap Screws 3/8-16x1" Hex.	4	U30-74SS	U30-74SS	U30-74SS	U30-74SS	U30-74SS