

## UP351 ASSISTED FUNCTIONAL TRAINER

Parts List		
DESCRIPTION	QTY	PART NUMBER
STEP-UP ASSEMBLY	1	403620
EASYGRIP RAIL	2	403579
TOP COVER	1	403362
SEAT ASSEMBLY	1	403731
SEAT	1	403580
<b>--HARDWARE COMPLETE--</b>	1	403695
1/2" ANCHOR ROD	1	135038*
3/8" x 3/4" P.B.H.C.S. w/PATCH	8	812052*
3/8" BARREL NUT	4	804804*
3/8" FLAT WASHER	8	817410*
3/8" LOCK WASHER	8	817334*
USAGE/WARNING LABEL	1	403909*

*Unless Otherwise Specified, All Units of Measure are Each*

*\* Items listed below Hardware Complete line are included with Hardware Complete Number*

**Warning: During Installation, Hardware And Small Parts Are Choking Hazards For Young Children. Store Unused Parts Appropriately Until Assembly Is Completed. Once Assembly Is Completed, Remove Any Unused Parts From The Play Environment And Dispose/Save Them In A Secure Location. Any bolt end protruding more than two full threads beyond the face of the nut causes risk of clothing entanglement.**

**Promptly cut-off flush, file smooth, and treat to prevent corrosion.**

**Note: Peen Tee-Nuts and Flatwashers to match radius of pipe after assembly is complete.**

**Note: Loctite (supplied by others) should be used on any non-patch hardware.**

### **SPECIFICATIONS:**

**Top Cover:** Shall be 3/4" HDPE Densetec Anti-skid Diamond Texture Sheet.

**Step-Up Assembly:** Shall be an all welded construction fabricated from 5" O.D. (11 Ga.) galvanized steel tubing with a 12 Ga. hot rolled steel top.

**Easygrip Rails:** Shall be 1-5/8" O.D. galvanized steel tube with a combination polyurea/baked on polyester powder coat finish.

**Seat Support Assembly:** Shall have a 1 1/4" galvanized pipe with a 12Ga. hot rolled steel top.

**Hardware:** All nuts, bolts, screws, and lock washers used in the assembly shall be stainless steel, yellow dichromate plated steel, blue-coat plated steel, mechanically galvanized or powder coated/yellow dichromate plated steel. All primary fasteners shall be 304 alloy stainless steel. Fasteners with yellow dichromate treatment have an electro-deposited, 99.9% pure zinc substrate applied from a specially formulated solution sealed with a yellow dichromate top coat designed to work in conjunction with the zinc plating.

---

## UP351 ASSISTED FUNCTIONAL TRAINER

### **INSTALLATION INSTRUCTIONS:**

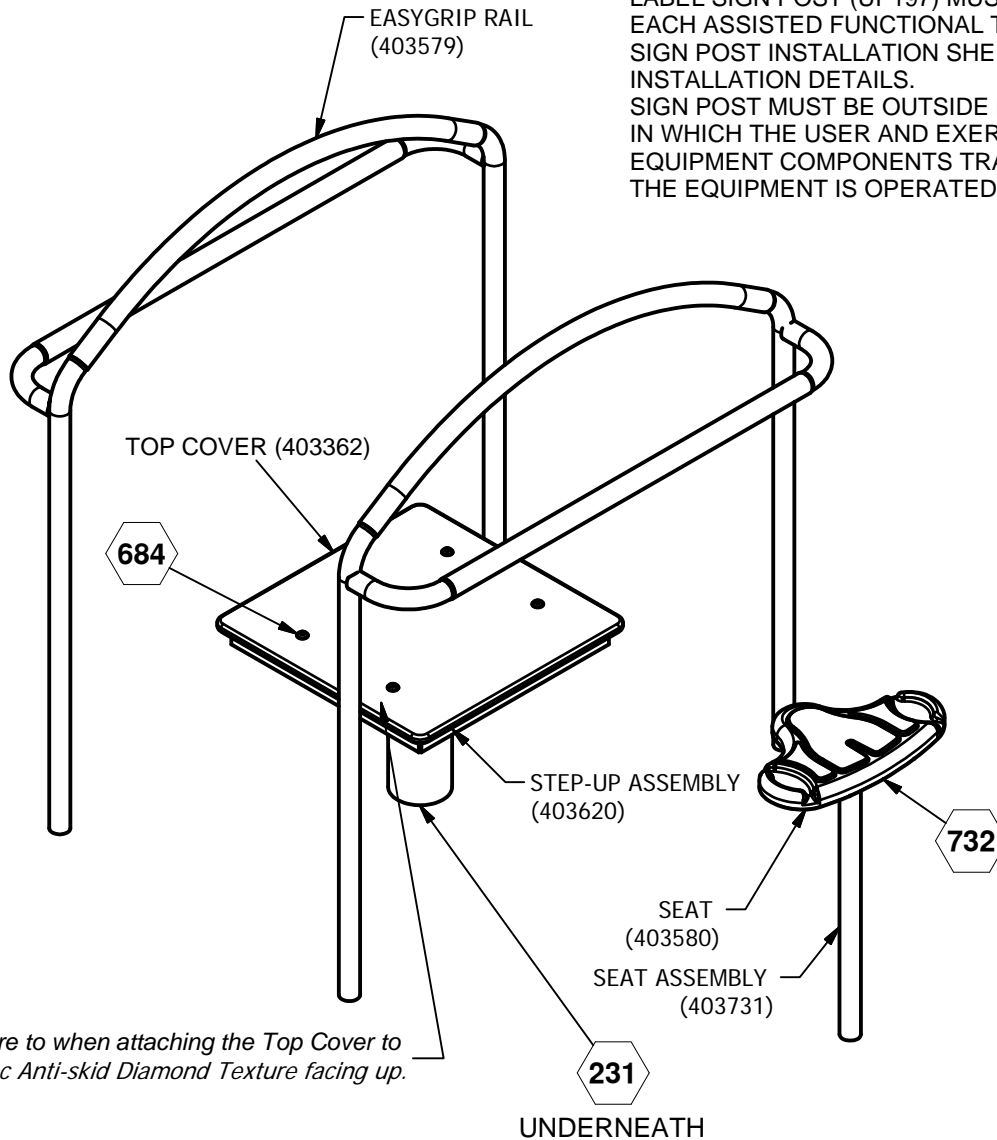
1. Dig holes according to the Ground Plan. See Ground Plan for dimensions and notes regarding surfacing, etc.  
NOTE: *Due to extremes in weather and soil conditions, hole sizes may have to be increased to meet local conditions.*
2. Place Easygrip Rails in footing holes in accordance with the plan view.
3. Attach Top Cover to the Step Up Assembly using 3/8" Barrel Nut, 3/8" Flat Washer, 3/8" Lock Washer and 3/8" x 3/4" P.B.H.C.S. w/Patch. See Detail 684. NOTE: *Make certain diamond pattern is facing up.*
4. Place Step Up Platform in footing hole in accordance with the plan view.  
NOTE: *Install Anchor Rod in Step-Up Assembly as shown in Detail 231.*
5. Attach the Seat to the Seat Assembly using 3/8" Flat Washer, 3/8" Lock Washer and 3/8" x 3/4" P.B.H.C.S. w/Patch. See Detail 732.
6. Place the seat in footing hole in accordance with the plan view.
7. After entire unit is assembled pour concrete footings within 4" to the top and taper away from post for water drainage. Allow to cure at least 48 hours before use. Temporary bracing may be required until concrete cures.
8. When the structure is finished and satisfactory, eliminate sharp points and sharp edges (burring) on installed hardware like bolts, nuts, etc. Install resilient surfacing material within the use zone of play structure in accordance with ASTM specifications F1292 appropriate for the fall height of each structure. Refer to the safety guidelines.

### **MAINTENANCE PROCEDURE:**

Periodically check hardware for tightness, and tighten as necessary. Always check all parts for breakage or wear, and immediately put equipment out of service until any faulty parts found are repaired or replaced. Also Check all metal parts for rust, paint loss and touch-up if necessary with paint. Check for welded areas and verify integrity. Check periodically resilient surfacing for appropriate depth and remove extraneous materials that could cause injury, infection, or disease. Maintain detailed installation, inspection, maintenance, and repair records for each public-use playground equipment.

## UP351 ASSISTED FUNCTIONAL TRAINER

NOTE: MINIMUM OF ONE USAGE/WARNING LABEL SIGN POST (UP197) MUST BE USED WITH EACH ASSISTED FUNCTIONAL TRAINER. SEE SIGN POST INSTALLATION SHEET FOR INSTALLATION DETAILS. SIGN POST MUST BE OUTSIDE MAXIMUM SPACE IN WHICH THE USER AND EXERCISE EQUIPMENT COMPONENTS TRAVERSE WHEN THE EQUIPMENT IS OPERATED.



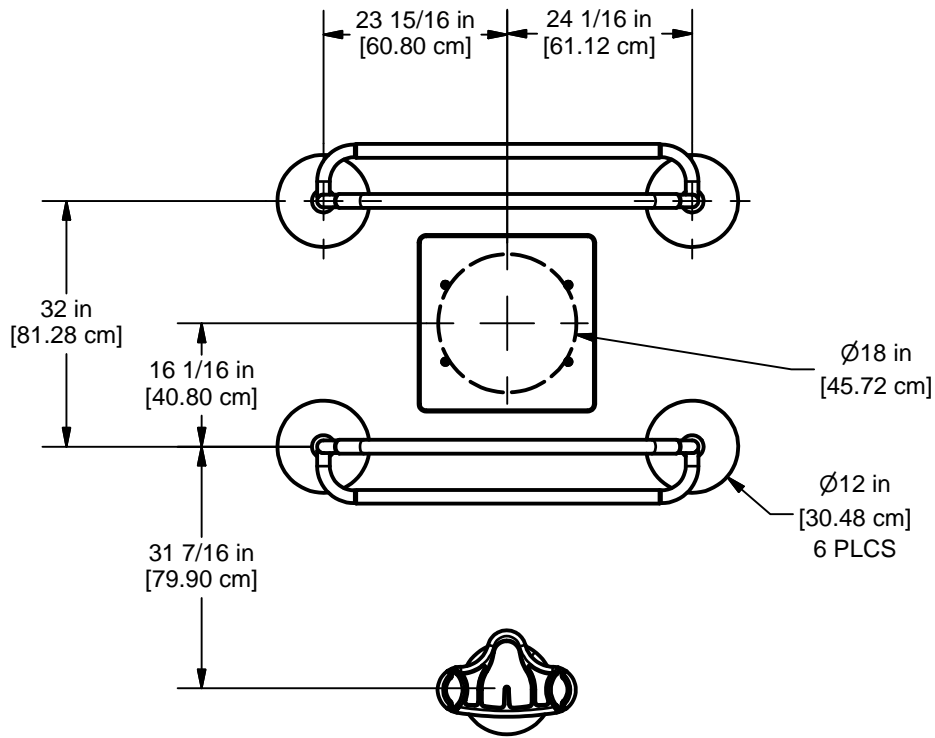
**IMPORTANT:** Make sure to when attaching the Top Cover to place the Densetec Anti-skid Diamond Texture facing up.

⬡ = INSTALLATION DETAIL

**FINISHED ASSEMBLY**

Issued/Revised: 12/12/2016

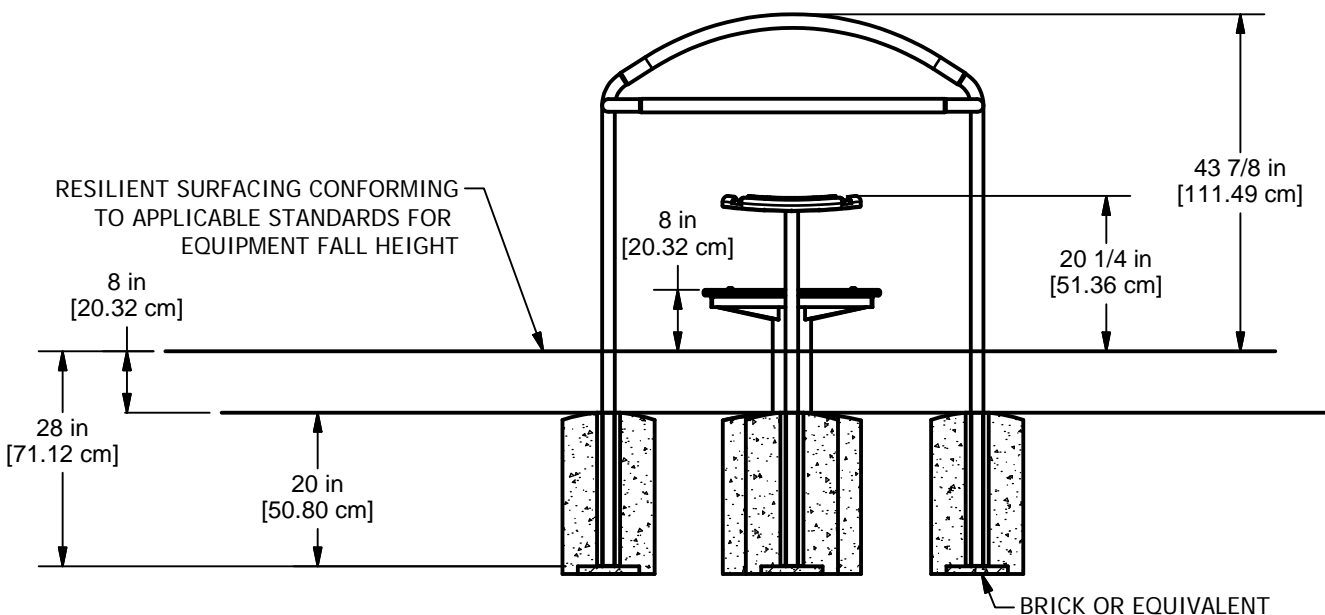
## UP351 ASSISTED FUNCTIONAL TRAINER



**PLAN VIEW**

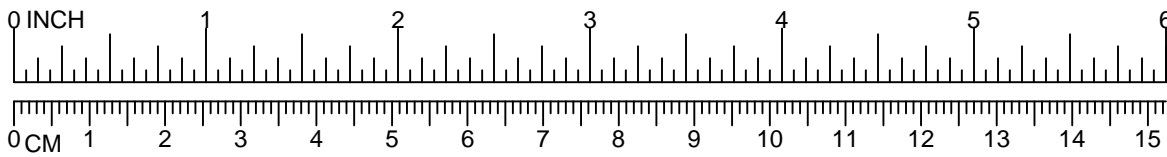
**CONCRETE REQUIRED**

.321 CUBIC YARDS  
.2684 [CUBIC METERS]



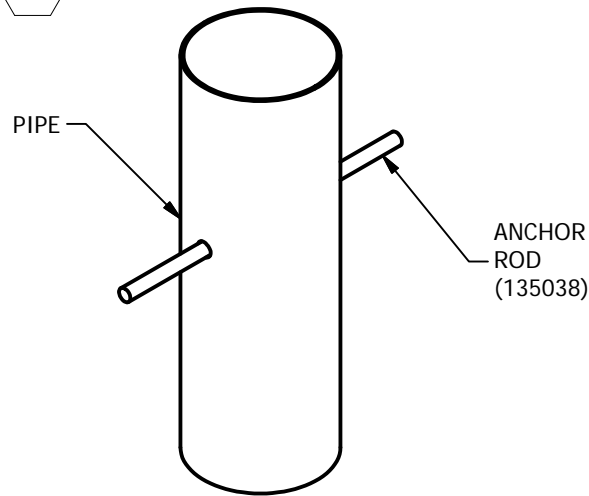
**ELEVATION VIEW**

Issued/Revised: 12/12/2016



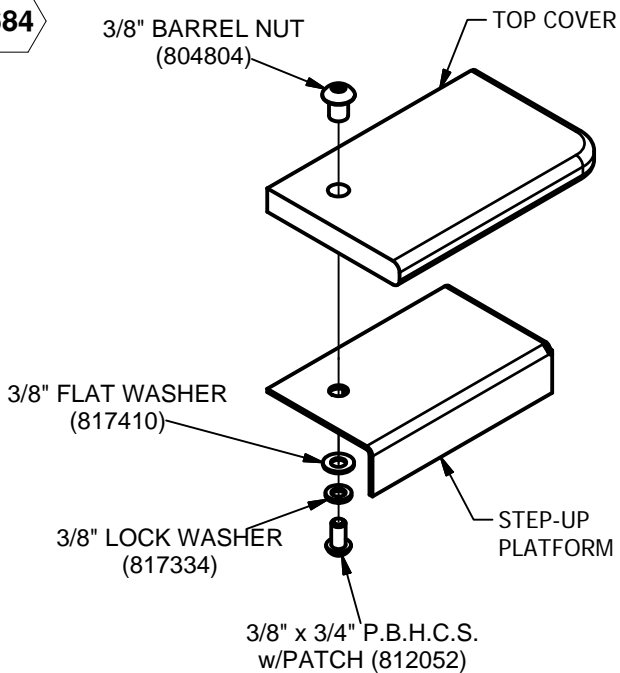
# UP351 ASSISTED FUNCTIONAL TRAINER

231

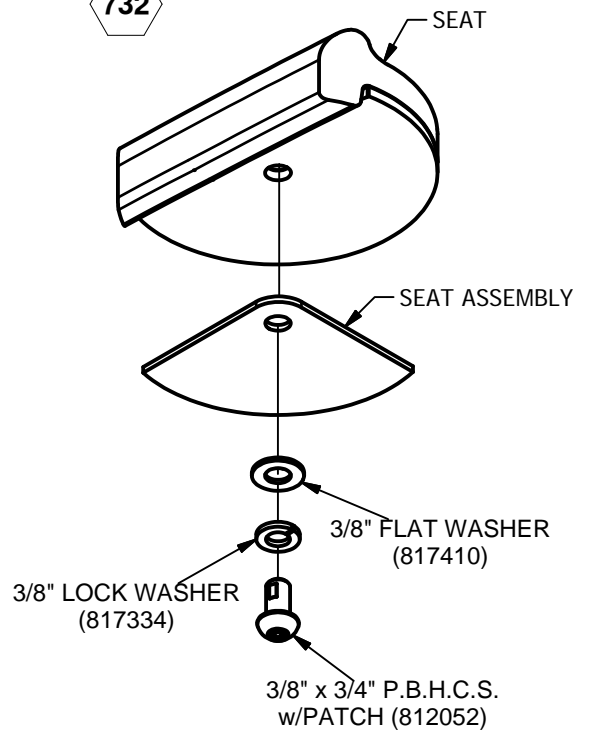


**IMPORTANT:** Make sure when attaching the Top Cover to place the Densetec Anti-skid Diamond Texture facing up.

684



732



Issued/Revised: 12/12/2016



800.458.5872

www.ultraplay.com