

ActionFit Traditional

UP253 BENCH DIP

PARTS LIST		
DESCRIPTION	QTY	PART NUMBER
BENCH LEG	4	147874
BENCH	1	207087
HANDRAIL 1	2	147881
HANDRAIL 2	2	147877
HARDWARE COMPLETE	1	403968
3/8" x 1 1/4" B.H.C.S.	20	811051*
3/8" FLAT WASHER (1 1/4" O.D.)	36	817424*
3/8" LOCKWASHER	20	817334*
3/8" HEX NUT	20	804053*
1/2" ANCHOR ROD	4	135038*
USAGE/WARNING LABEL	1	403861*

Unless Otherwise Specified, All Units of Measure are Each

**Items listed below Hardware Complete line are included with Hardware Complete Number*

Warning: During Installation, Hardware And Small Parts Are Choking Hazards For Young Children. Store Unused Parts Appropriately Until Assembly Is Completed. Once Assembly Is Completed, Remove Any Unused Parts From The Play Environment And Dispose/Save Them In A Secure Location.

Note: Peen Tee-Nuts and Flatwashers to match radius of pipe after assembly is complete.

Note: Loctite (supplied by others) should be used on any non-patch hardware.

SPECIFICATIONS:

BENCH LEG: Shall be made of 1-7/8" O.D. galvanized pipe.

BENCH: Shall be fabricated of punched steel metal with a plastisol coating.

HANDRAIL: Shall be an all-welded construction fabricated of 1-5/16" O.D. galvanized pipe, 3/16" x 3" H.R. flat steel and galvanized pipe caps.

FINISH: The Bench Legs and Handrail Assemblies shall all have a powder coat finish.

HARDWARE: All nuts, bolts, screws, inserts, and lockwashers used in the assembly of all play equipment, shall be stainless steel, yellow dichromate plated steel, blue-coat plated steel, mechanically galvanized or powder coated/yellow dichromate plated steel. All primary fasteners shall be 300 series stainless steel. Fasteners with yellow dichromate treatment have an electro deposited, 99.9% pure zinc substrate applied from a specially formulated solution sealed with a yellow dichromate top coat designed to work in conjunction with the zinc plating. Yellow dichromate has a 320% longer life to white corrosion and 275% longer to red corrosion than does hot-dip galvanizing.

INSTALLATION INSTRUCTIONS:

1. Before starting assembly, review the General Installation Instructions at the beginning of this Installation Guide and the Typical Assembly Details in the back.
2. Determine proper location for Bench Dip. Refer to Equipment Layout Plan provided and any applicable project site drawings.
3. Dig footings for bench legs. Maintain footing spacing, size and depth as indicated in the Plan View. Allow for depth of desired Finished Surface. Refer to Elevation View.
4. Attach Bench legs to the bench with 3/8" Hex Nut, 3/8" Lockwasher, 3/8" Flatwasher, and 3/8" x 1 1/4" B.H.C.S using Detail E04.
5. Attach four handrail 1 & 2 to the bench using 3/8" Hex Nut, 3/8" Lockwasher, 3/8" Flatwashers, and 3/8" x 1 1/4" B.H.C.S. using Detail E05.
6. Position bench assembly in footings; align, plumb, and brace bench in place. Pour concrete as shown on elevation view. Be sure to hold top of concrete footing 10" [25.40cm] down from the Finished Surface. Slope top of concrete for proper drainage.
7. Allow concrete a minimum of 48 hours to cure and harden before using bench.

Issued/Revised: 9/28/2016



800.458.5872

www.actionfitoutdoors.com

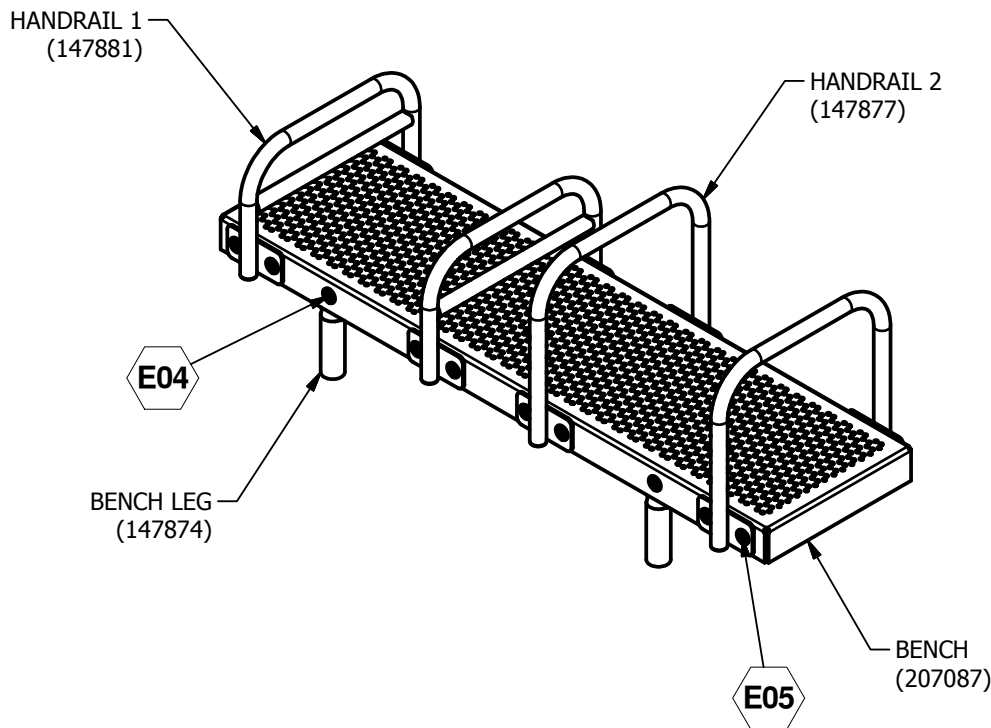
1

ActionFit Traditional

UP253 BENCH DIP

MAINTENANCE PROCEDURE:

Periodically check hardware for tightness, and tighten as necessary. Always check parts for breakage or wear, and immediately put equipment out of service until any faulty parts are repaired or replaced. Check all decks for Plastisol coating peeling and touch up with Plastisol if necessary. Check for obstructed holes on deck, clean if necessary. Periodically check resilient surfacing for appropriate depth, and remove extraneous materials that could cause injury, infection, or disease. Maintain detailed installation, inspection, maintenance, and repair records for each public-use playground equipment.



FINISHED ASSEMBLY

NOTE:
MINIMUM OF ONE USAGE/WARNING LABEL
SIGN POST (UP197) MUST BE USED WITH EACH
BENCH DIP. SEE SIGN POST
INSTALLATION SHEET FOR INSTALLATION DETAILS.

**SIGN POST MUST BE OUTSIDE MAXIMUM SPACE IN WHICH
THE USER AND EXERCISE EQUIPMENT COMPONENTS
TRAVERSE WHEN THE EQUIPMENT IS OPERATED.**

 = INSTALLATION DETAIL

Issued/Revised: 9/28/2016

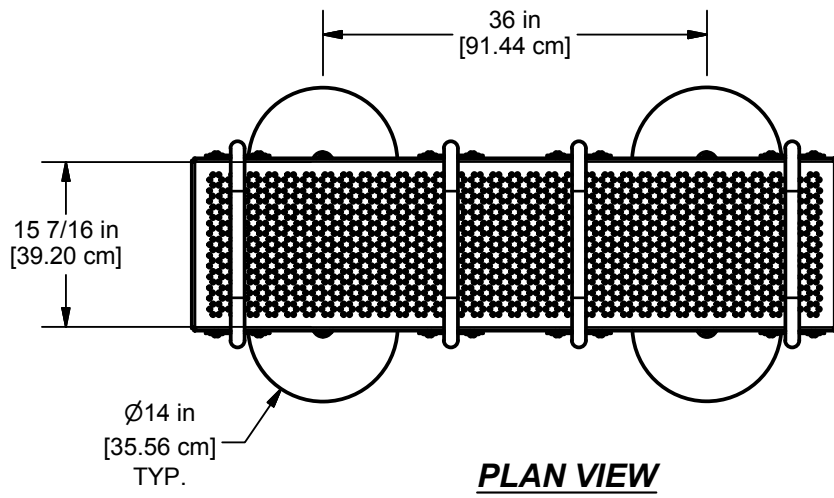


800.458.5872

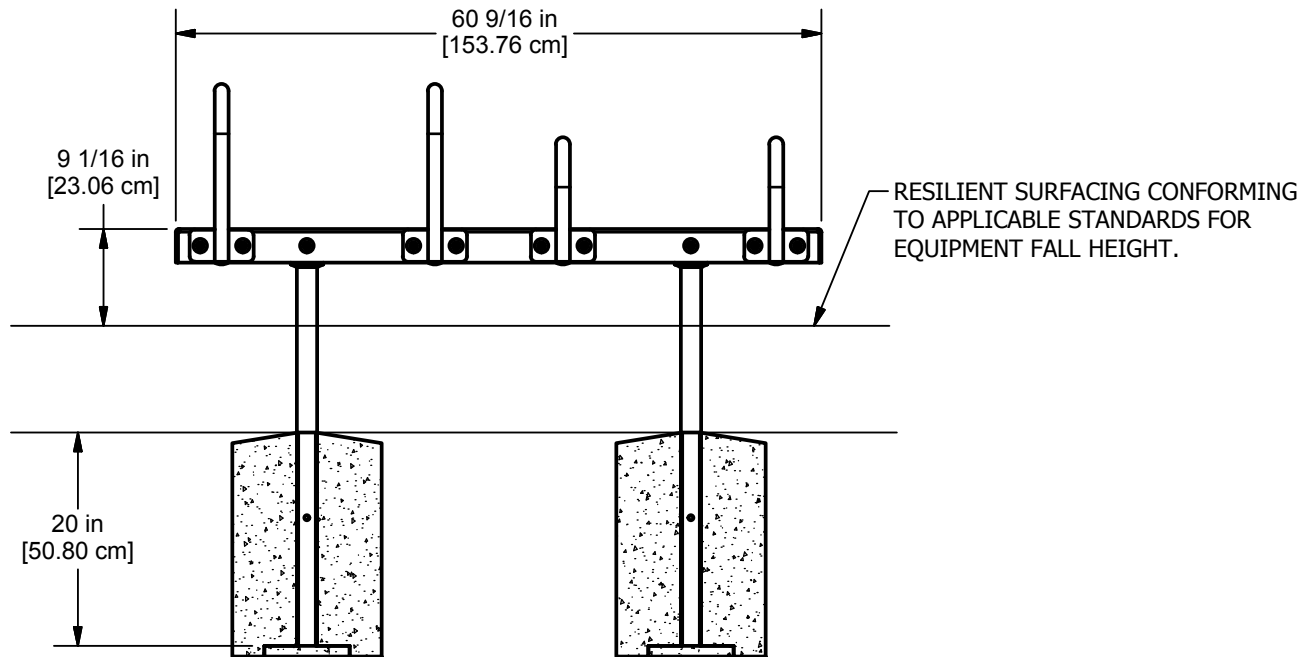
www.actionfitoutdoors.com

ActionFit Traditional

UP253 BENCH DIP



CONCRETE REQUIRED:
.28 CUBIC YARDS
[.20 CUBIC METERS]

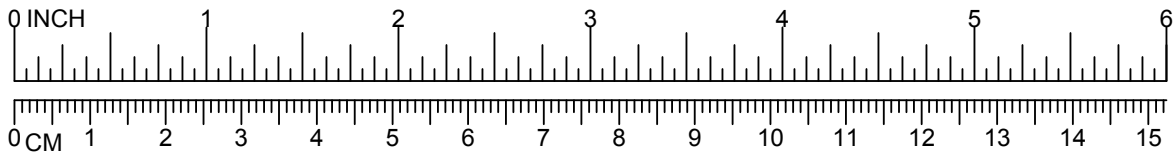


Issued/Revised: 9/28/2016

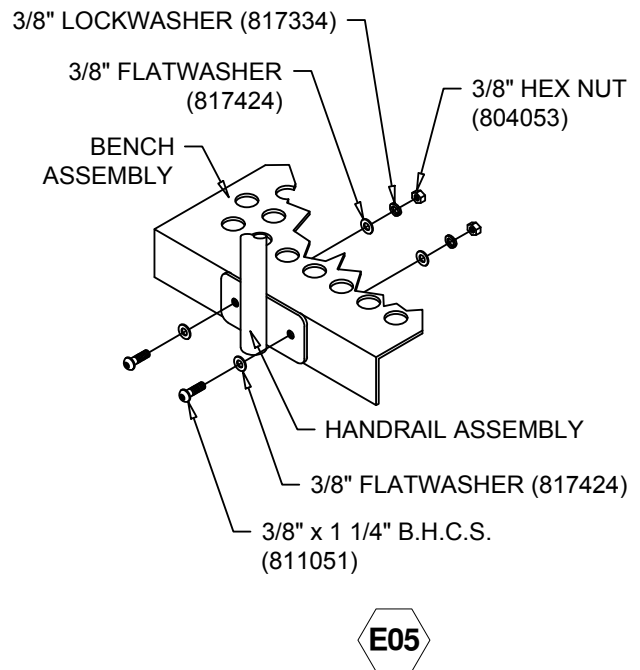
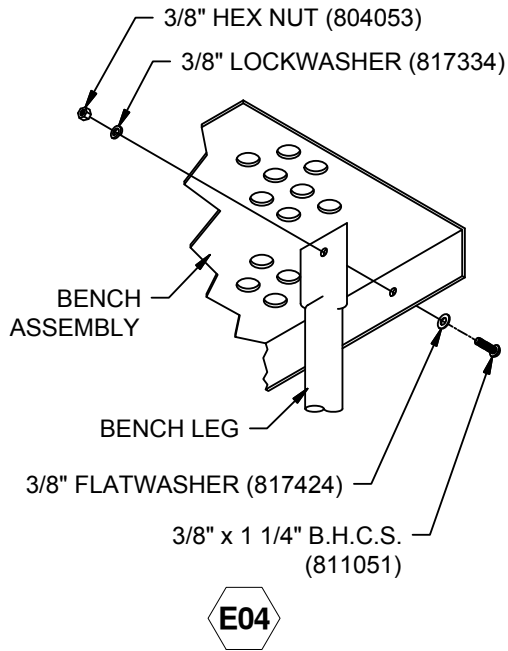


800.458.5872

www.actionfitoutdoors.com



UP253 BENCH DIP



Issued/Revised: 9/28/2016



800.458.5872

www.ultraplay.com