

ActionFit Traditional

UP251 BALANCE BEAM

PARTS LIST		
DESCRIPTION	QTY	PART NUMBER
BALANCE BEAM	1	158529
HARDWARE COMPLETE	1	403965
USAGE/WARNING LABEL	1	403858*

Unless Otherwise Specified, All Units of Measure are Each

**Items listed below Hardware Complete line are included with Hardware Complete Number*

Warning: During Installation, Hardware And Small Parts Are Choking Hazards For Young Children. Store Unused Parts Appropriately Until Assembly Is Completed. Once Assembly Is Completed, Remove Any Unused Parts From The Play Environment And Dispose/Save Them In A Secure Location.

Note: Peen Tee-Nuts and Flatwashers to match radius of pipe after assembly is complete.

Note: Loctite (supplied by others) should be used on any non-patch hardware.

SPECIFICATIONS:

BALANCE BEAM: Shall be 4" x 2" x 1/8" wall rectangular structural steel. The legs shall be 1-7/8" O.D. (.075" wall) galvanized steel tubing. The beam shall be an all welded construction. coat finish.

FINISH: The Balance Beam assembly shall have a powder coated finish.

HARDWARE: All nuts, bolts, screws, inserts, and lockwashers used in the assembly of all play equipment, shall be stainless steel, yellow dichromate plated steel, blue-coat plated steel, mechanically galvanized or powder coated/yellow dichromate plated steel. All primary fasteners shall be 300 series stainless steel. Fasteners with yellow dichromate treatment have an electro deposited, 99.9% pure zinc substrate applied from a specially formulated solution sealed with a yellow dichromate top coat designed to work in conjunction with the zinc plating. Yellow dichromate has a 320% longer life to white corrosion and 275% longer to red corrosion than does hot-dip galvanizing.

INSTALLATION INSTRUCTIONS:

1. Dig holes according to Plan View and Elevation View.

NOTE: Due to extremes in weather and soil conditions, hole size may have to be increased to meet local conditions.

2. Place Balance Beam into holes making sure it rests on the brick.

3. Level Balance Beam Station using sway bracing.

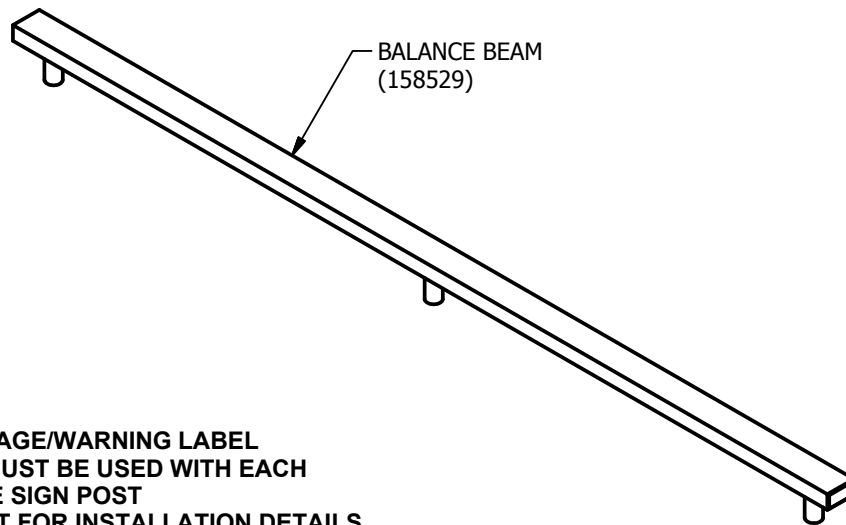
4. Pour concrete according to the Footing Details. Allow 48 hours minimum for concrete to harden before using and removing sway braces.

MAINTENANCE PROCEDURE:

Periodically check hardware for tightness, and tighten as necessary. Always check parts for breakage or wear, and immediately put equipment out of service until any faulty parts are repaired or replaced. Check all decks for Plastisol coating peeling and touch up with Plastisol if necessary. Check for obstructed holes on deck, clean if necessary. Periodically check resilient surfacing for appropriate depth, and remove extraneous materials that could cause injury, infection, or disease. Maintain detailed installation, inspection, maintenance, and repair records for each public-use playground equipment.

ActionFit Traditional

UP251 BALANCE BEAM



NOTE:
MINIMUM OF ONE USAGE/WARNING LABEL
SIGN POST (UP197) MUST BE USED WITH EACH
BALANCE BEAM. SEE SIGN POST
INSTALLATION SHEET FOR INSTALLATION DETAILS.

**SIGN POST MUST BE OUTSIDE MAXIMUM SPACE IN WHICH
THE USER AND EXERCISE EQUIPMENT COMPONENTS
TRAVERSE WHEN THE EQUIPMENT IS OPERATED.**

FINISHED ASSEMBLY

 = INSTALLATION DETAIL

Issued/Revised: 9/27/2016

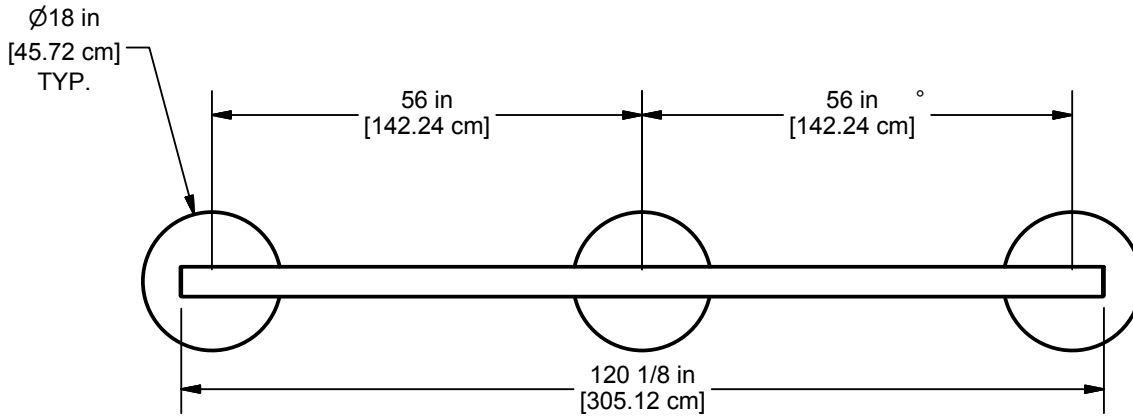


800.458.5872

www.actionfitoutdoors.com

ActionFit Traditional

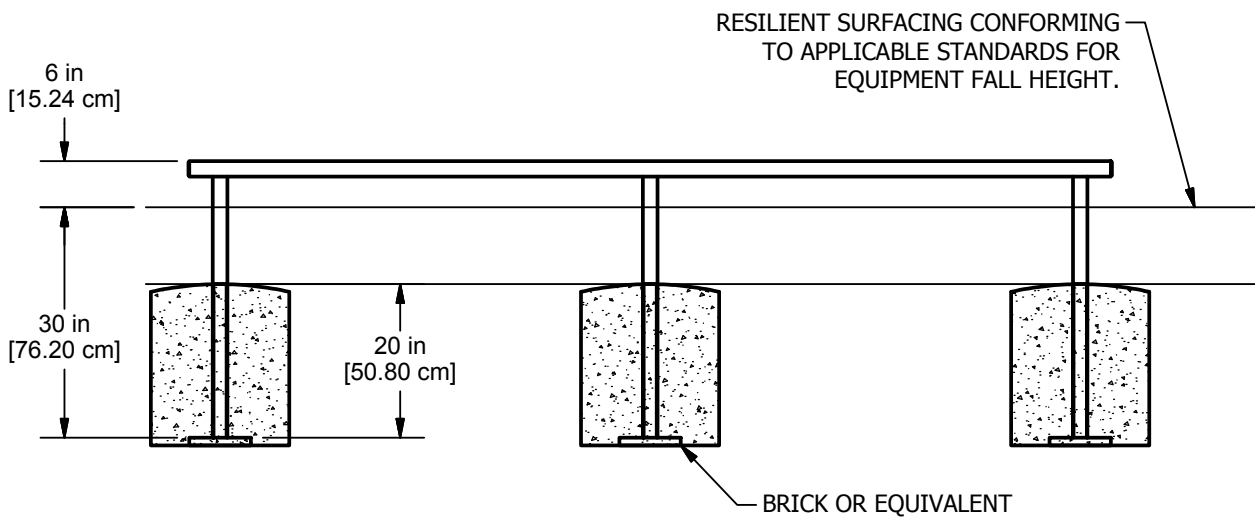
UP251 BALANCE BEAM



PLAN VIEW

CONCRETE REQUIRED:

.33 CUBIC YARDS
[.24 CUBIC METERS]



ELEVATION VIEW

Issued/Revised: 9/27/2016



800.458.5872

www.actionfitoutdoors.com