

UP189 MULTIGYM

Parts List		
DESCRIPTION	QTY	PART NUMBER
BAR WITH HANDLES	2	206981
HORIZONTAL CHIN-UP BAR	1	207114
TOP COVER	1	403362
18" PLYOMETRIC FRAME	1	403372
UPRIGHT 1	1	GRR4LL
UPRIGHT 2	1	GRR4LK
UPRIGHT 3	1	GRR4LN
UPRIGHT 4	1	GRR4LM
HARDWARE COMPLETE	1	403487
3/8" x 3/4" P.B.H.C.S. w/PATCH	4	812052*
3/8" x 1" P.B.H.C.S. w/PATCH	12	812050*
3/8" LOCKWASHER	16	817334*
3/8" FLAT WASHER	4	817410*
3/8" BARREL NUT	4	804804*
1/2" ANCHOR ROD	5	135038*
CHIN-UP USAGE/WARNING LABEL	1	403879*
HORIZONTAL CHIN-UP USAGE/WARNING LABEL	1	403868*
PUSH UP STATION USAGE/WARNING LABEL	1	403880*

Unless Otherwise Specified, All Units of Measure are Each

**Items listed below Hardware Complete line are included with Hardware Complete Number*

Warning: During Installation, Hardware And Small Parts Are Choking Hazards For Young Children. Store Unused Parts Appropriately Until Assembly Is Completed. Once Assembly Is Completed, Remove Any Unused Parts From The Play Environment And Dispose/Save Them In A Secure Location. Any bolt end protruding more than two full threads beyond the face of the nut causes risk of clothing entanglement.

Promptly cut-off flush, file smooth, and treat to prevent corrosion.

Note: Peen Tee-Nuts and Flatwashers to match radius of pipe after assembly is complete.

Note: Loctite (supplied by others) should be used on any non-patch hardware.

SPECIFICATIONS:

Top cover: Shall be 3/4" HDPE Densetec Anti-skid Diamond Texture Sheet.

Plyometric Frame: Shall have a 5" (.12w) galvanized pipe with a 12Ga. hot rolled steel top.

Uprights - Aluminum The posts shall be 3 1/2" O.D. with a 0.125" wall thickness 6061-T6 extruded seamless Aluminum tubing conforming to ASTM B-221 and QQ-A 200/8. Tensile strength is 44,962 psi, and yield strength is 39,885 psi. Entire post is polyester powder-coated after fabrication. A cast aluminum cap of matching color is factory riveted into the top end using two aluminum rivets.

Horizontal Chin-Up Bar: The Horizontal Chin-Up Bar assembly shall be constructed of 1.315" O.D. (12 GA) galvanized pipe and 3/16" steel tabs. The Crossbar shall be an all welded construction and coated with a custom formula of TGIC polyester powder coating after fabrication.

Bar with Handles: The Bar with Handles assembly shall be constructed of 1.315" O.D. (12 GA) galvanized pipe, 1.029 O.D. galvanized pipe and 3/16" stainless steel tabs. The Crossbar shall be an all welded construction and coated with a custom formula of TGIC polyester powder coating after fabrication.

Issued/Revised: 2/7/2017



UP189 MULTIGYM

SPECIFICATIONS:

Hardware: All nuts, bolts, screws, and lock washers used in the assembly shall be stainless steel, yellow dichromate plated steel, blue-coat plated steel, mechanically galvanized or powder coated/yellow dichromate plated steel. All primary fasteners shall be 304 alloy stainless steel. Fasteners with yellow dichromate treatment have an electro-deposited, 99.9% pure zinc substrate applied from a specially formulated solution sealed with a yellow dichromate top coat designed to work in conjunction with the zinc plating.

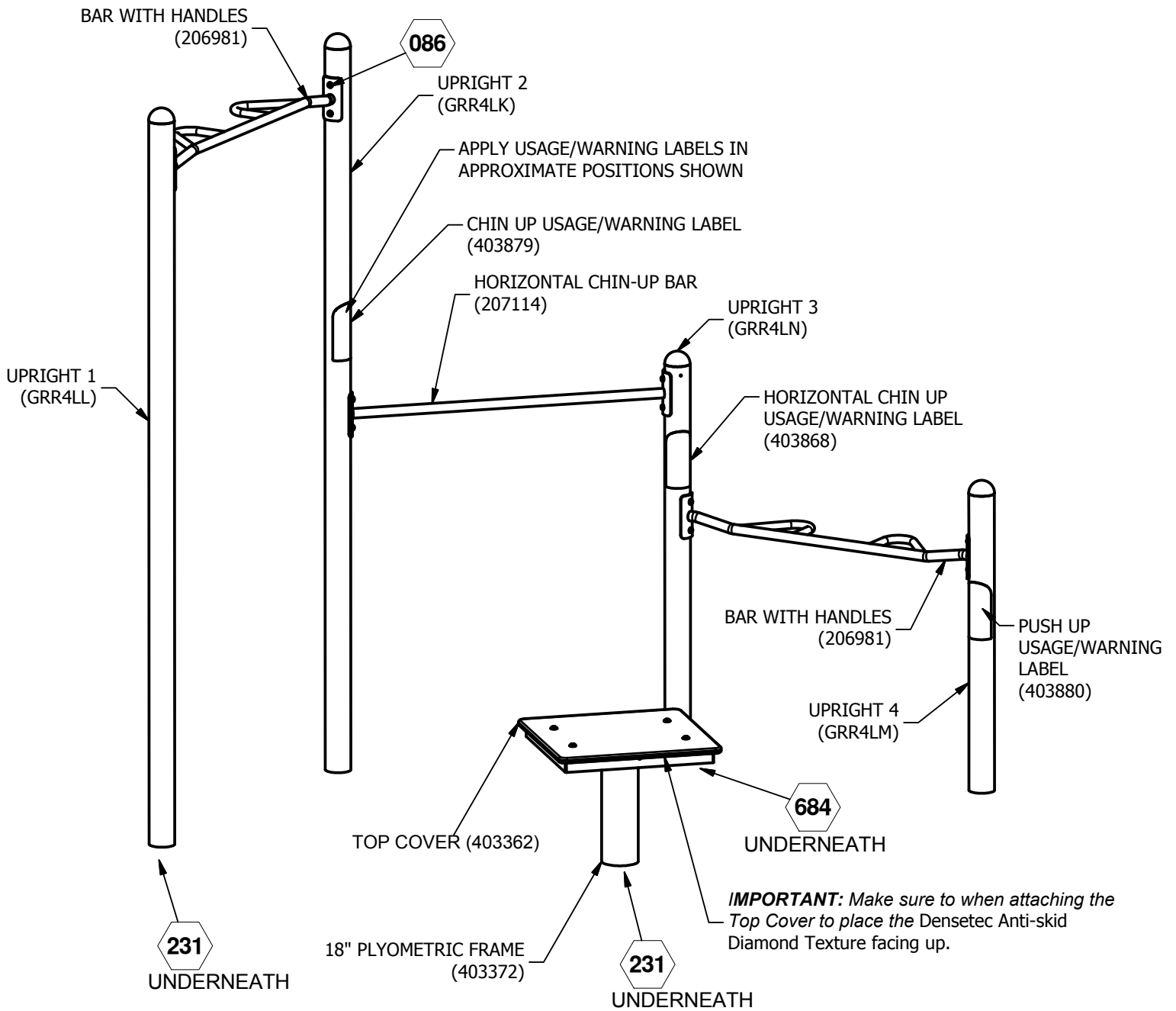
INSTALLATION INSTRUCTIONS:

1. Dig footing holes as shown in Plan and Elevation Views. Place brick or equivalent in the bottom of hole to provide a solid foundation.
2. Attach Top Cover to Plyometric Frame using 3/8" x 3/4" P.B.H.C.S. w/Patch, 3/8" Lock Washer, 3/8" Flat Washer, and 3/8" Barrel Nut. See Detail 684. **IMPORTANT:** Make sure when attaching the Top Cover to place the Densetec Anti-skid Diamond Texture facing up.
3. Attach 1/2" Anchor Rod to Plyometric Frame and Upright. See Detail 231.
4. Attach the Horizontal Chin-Up Bar to Upright 2 & 3 using 3/8" x 1" P.B.H.C.S. w/Patch and 3/8" Lockwasher. See Detail 086.
5. Attach the Bar with Handles to Upright 1 & 2 using 3/8" x 1" P.B.H.C.S. w/Patch and 3/8" Lockwasher. See Detail 086.
6. Attach the Bar with Handles to Upright 3 & 4 using 3/8" x 1" P.B.H.C.S. w/Patch and 3/8" Lockwasher. See Detail 086.
7. Attach the Chin-Up Station Name Plate to Upright 2 using Pop Rivet. See Detail 322.
8. Attach the Horizontal Chin-Up Name Plate to Upright 3 using Pop Rivet. See Detail 322.
9. Attach the Push-Up Station Name Plate to Upright 4 using Pop Rivet. See Detail 322.
10. Plumb and level the entire assembly and tighten all fasteners.
11. After entire unit is assembled, pour concrete footings within 4" to the top and taper away from posts for water drainage. Allow to cure at least 48 hours before use. Note: Temporary bracing may be required until concrete cures.
12. When the structure is finished and satisfactory, eliminate sharp points and sharp edges (burring) on installed hardware like bolts, nuts, etc.

MAINTENANCE PROCEDURE:

Periodically check hardware for tightness, and tighten as necessary. Always check all parts for breakage or wear, and immediately put equipment out of service until any faulty parts found are repaired or replaced. Also Check all metal parts for rust, paint loss and touch-up if necessary with paint. Check for welded areas and verify integrity. Check periodically resilient surfacing for appropriate depth and remove extraneous materials that could cause injury, infection, or disease. Maintain detailed installation, inspection, maintenance, and repair records for each public-use playground equipment.

UP189 MULTIGYM

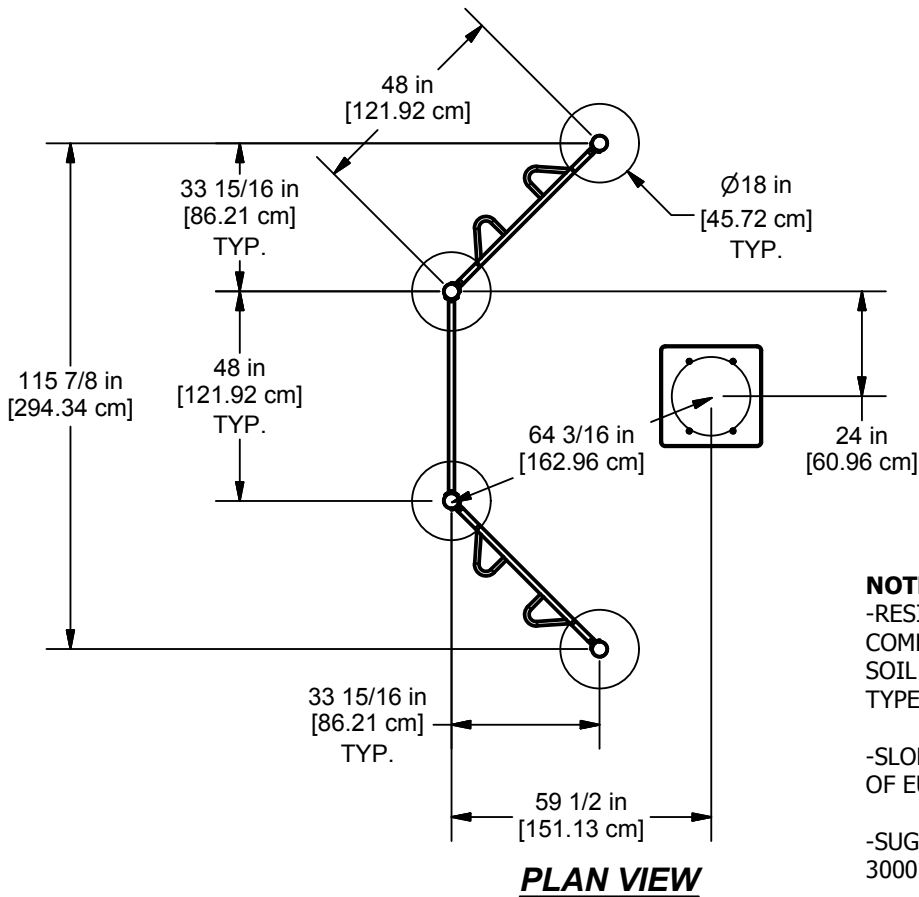


FINISHED ASSEMBLY

⬡ = INSTALLATION DETAIL

Issued/Revised: 2/7/2017

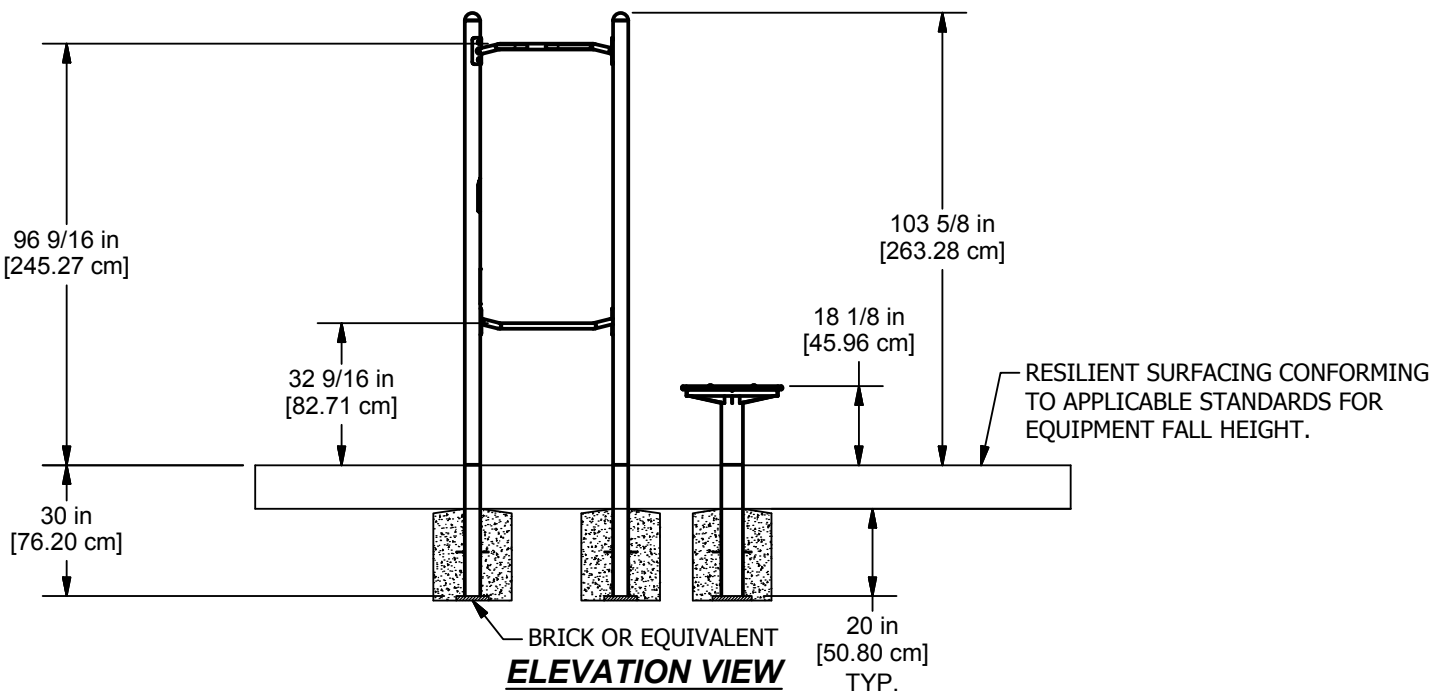
UP189 MULTIGYM



CONCRETE REQUIRED
 .545 CUBIC YARDS
 .415 [CUBIC METERS]

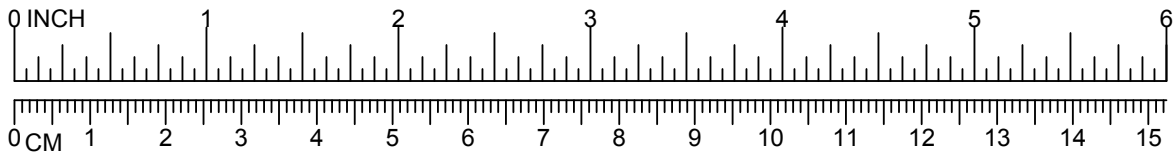
NOTES:

- RESILIENT SURFACING AND SUBSTANTIAL COMPACTED SUBGRADE DEPTHS DEPEND ON SOIL CONDITIONS AND RESILIENT SURFACING TYPE.
- SLOPED FOOTING IS A REQUIREMENT OF EUROPEAN STANDARD EN1176-1 ONLY
- SUGGESTED MINIMUM CONCRETE RATING 3000 PSI.

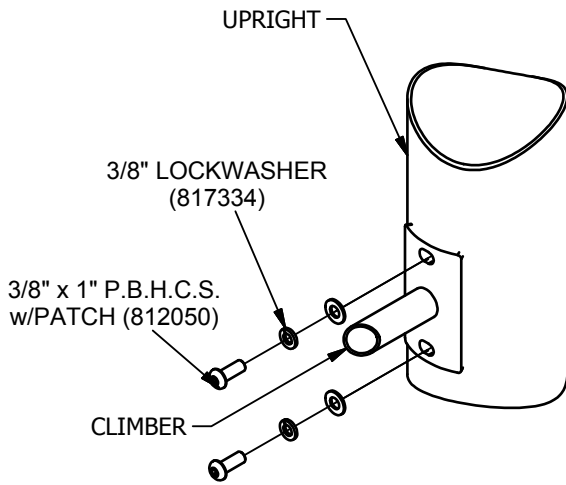


Issued/Revised: 2/7/2017

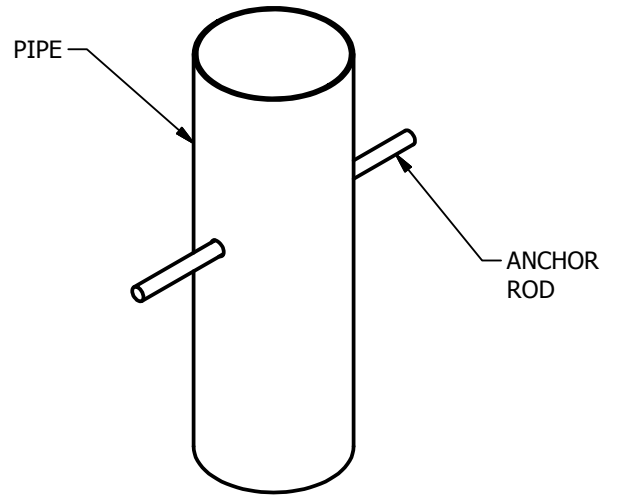




UP189 MULTIGYM

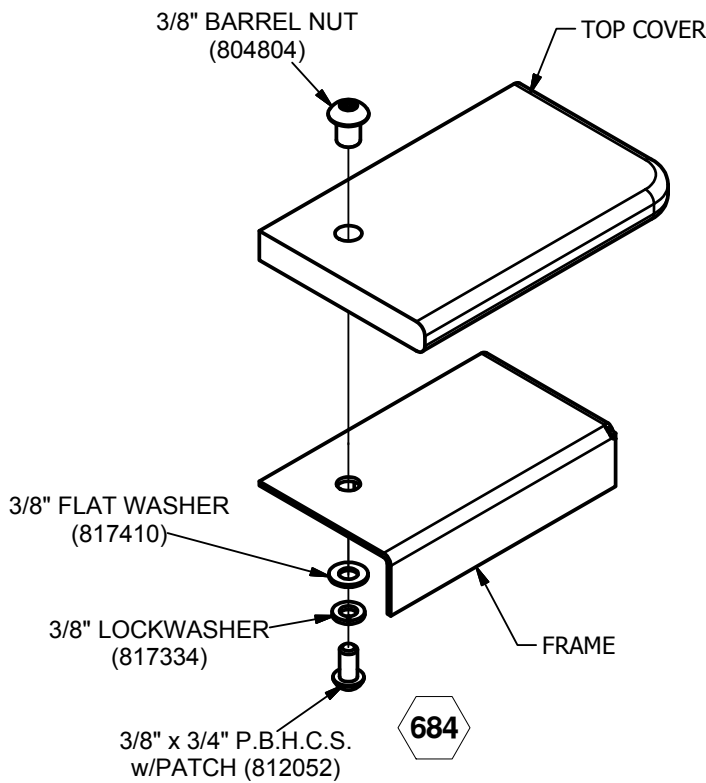


086



231

IMPORTANT: Make sure when attaching the Top Cover to place the Densetec Anti-skid Diamond Texture facing up.



684

Issued/Revised: 2/7/2017



800.458.5872

www.ultraplay.com