

UP177 BALANCE BOARD

Parts List		
DESCRIPTION	QTY	PART NUMBER
COIL SPRING	1	100334
BASE PLATE	1	126776
METAL PLATE	1	176471
HDPE TOP PLATE	1	403384
HARDWARE COMPLETE	1	403386
SPRING MOUNT CASTING	2	1089*
3/8" x 3/4" P.B.H.C.S. w/PATCH	4	812052*
3/8" LOCKWASHER	4	817334*
3/8" FLAT WASHER	4	817410*
3/8" BARREL NUT	4	804804*
1/2" ANCHOR BOLT	4	800000*
1/2" x 1 1/4" HEX HEAD BOLT (FINE THREAD)	4	801254*
1/2" LOCKWASHER	8	817342*
1/2" FLAT WASHER	8	817412*
1/2" HEX NUT	8	804055*

**Unless Otherwise Specified, All Units of Measure are Each*

Items listed below Hardware Complete line are included with Hardware Complete Number

Warning: During Installation, Hardware And Small Parts Are Choking Hazards For Young Children. Store Unused Parts Appropriately Until Assembly Is Completed. Once Assembly Is Completed, Remove Any Unused Parts From The Play Environment And Dispose/Save Them In A Secure Location. Any bolt end protruding more than two full threads beyond the face of the nut causes risk of clothing entanglement.

Promptly cut-off flush, file smooth, and treat to prevent corrosion.

Note: Peen Tee-Nuts and Flatwashers to match radius of pipe after assembly is complete.

Note: Loctite (supplied by others) should be used on any non-patch hardware.

SPECIFICATIONS:

HDPE TOP PLATE: Shall be 3/4" HDPE Densetec Anti-skid Diamond Sheet.

COIL SPRING: Shall be fabricated of 3/4" diameter wire, 5-1/2" O.D. x 13-1/2" long. The spring shall have a powder coat finish.

SPRING BASE PLATE: Shall be fabricated of 1/4" x 6" x 10" hot rolled flat steel. These plates shall have a powder coat black finish.

METAL PLATE: Shall be fabricated of 11 gauge (.125") hot rolled flat steel. This plate shall have a powder coat finish.

SPRING CASTING: Shall be high strength type 32510 malleable iron.

HARDWARE: All nuts, bolts, screws, inserts, and lock washers used in the assembly of all play equipment, shall be stainless steel, yellow dichromate plated steel, blue-coat plated steel, mechanically galvanized or powder coated/yellow dichromate plated steel. All primary fasteners shall be 300 series stainless steel. Fasteners with yellow dichromate treatment have an electro deposited, 99.9% pure zinc substrate applied from a specially formulated solution sealed with a yellow dichromate top coat designed to work in conjunction with the zinc plating. Yellow dichromate has a 320% longer life to white corrosion and 275% longer to red corrosion than does hot-dip galvanizing.

UP177 BALANCE BOARD

INSTALLATION INSTRUCTIONS:

1. Dig footing hole to receive Balance Board. See Elevation View for footing dimensions. *NOTE: After installation, the Balance Board height should be 12 1/4" [38.72cm] above the protective surfacing.*
2. Attach 1/2" hex nut on each of the anchor bolts, thread nuts onto bolts until 1" of thread extends beyond nut. See Detail 260.
3. Fasten the Coil Spring and Spring Casting to the Base Plate using 1/2" x 1 1/4" Hex Head Bolt, 1/2" Lock Washer and 1/2" Flat Washer. Refer to Detail 689. Use loctite (supplied by others) and tighten bolts thoroughly. Fasten the Anchor Bolts to the Spring Base Plate using 1/2" Flat Washer, 1/2" Lock Washer and 1/2" Hex Nut. See Detail 260.
4. Fill footing hole with concrete. While the concrete is still soft, yet firm enough to support the Spring Assembly, place the (4) Anchor Bolts of the Spring Assembly in position. *NOTE: Spring Base Plate shall be positioned in concrete level or parallel to the ground.* Refer to Detail 258.

IMPORTANT: DO NOT MOUNT THE BALANCE BOARD TO THE SPRING ASSEMBLY FOR AT LEAST 72 HOURS.

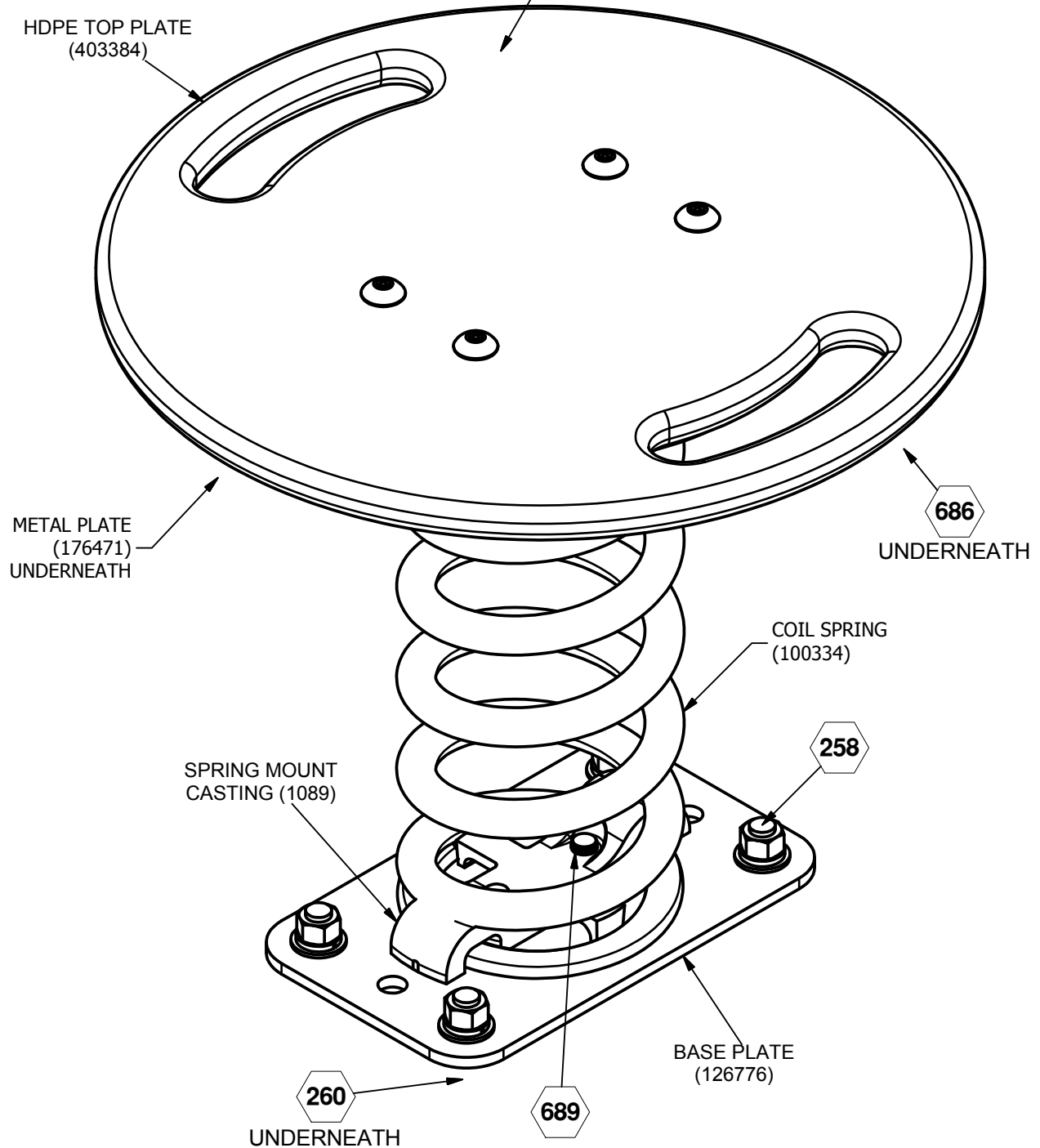
5. After concrete has cured and set for a minimum of 72 hours, attach Metal Plate and Spring Casting to Spring Assembly using 1/2" x 1 1/4" Hex Head Bolt, 1/2" Lock Washer and 1/2" Flat Washer. See Detail 689.
6. Attach HDPE Top Plate to Spring Assembly using 3/4" P.B.H.C.S. w/Patch, 3/8" Lock Washer, 3/8" Flat Washer and 3/8" Barrel Nut. See Detail 686. ***IMPORTANT:*** Make sure when attaching the HDPE Top Plate to place the Densetec Anti-skid Diamond Texture facing up.
7. Plumb and level the entire assembly and tighten all fasteners.
8. After entire unit is assembled, pour concrete footings within 4" to the top and taper away from posts for water drainage. Allow to cure at least 72 hours before use. Note: Temporary bracing may be required until concrete cures.
9. When the structure is finished and satisfactory, eliminate sharp points and sharp edges (burring) on installed hardware like bolts, nuts, etc.

MAINTENANCE PROCEDURE:

Periodically check hardware for tightness, and tighten as necessary. Always check all parts for breakage or wear, and immediately put equipment out of service until any faulty parts found are repaired or replaced. Also Check all metal parts for rust, paint loss and touch-up if necessary with paint. Check for welded areas and verify integrity. Check periodically resilient surfacing for appropriate depth and remove extraneous materials that could cause injury, infection, or disease. Maintain detailed installation, inspection, maintenance, and repair records for each public-use playground equipment.

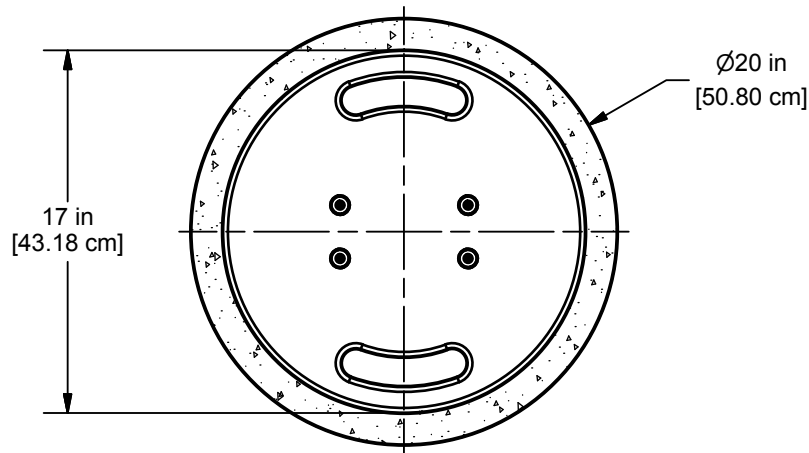
UP177 BALANCE BOARD

IMPORTANT: Make sure when attaching the HDPE Top Plate to place the Densetec Anti-skid Diamond Texture facing up.



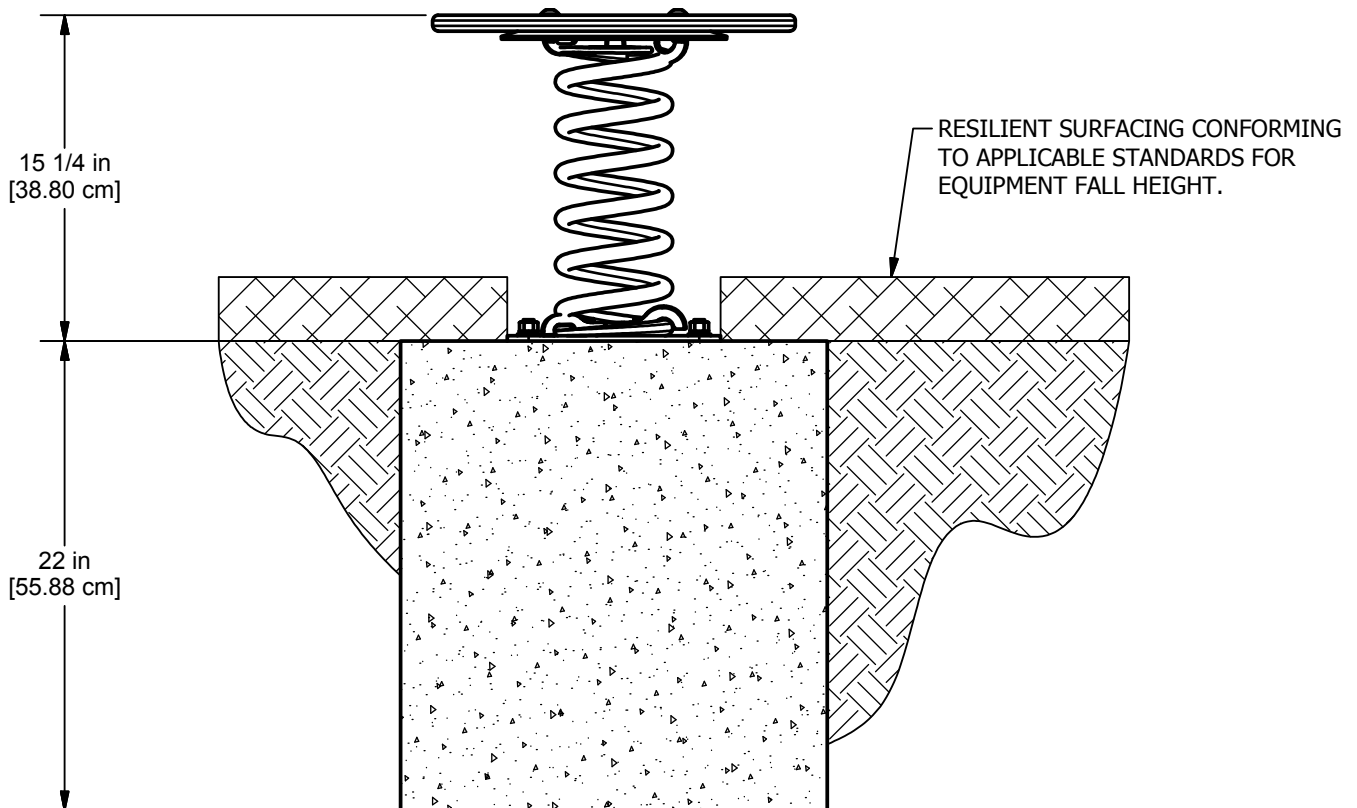
 = INSTALLATION DETAIL

UP177 BALANCE BOARD



CONCRETE REQUIRED:
.148 CUBIC YARDS
[.113 CUBIC METERS]

PLAN VIEW



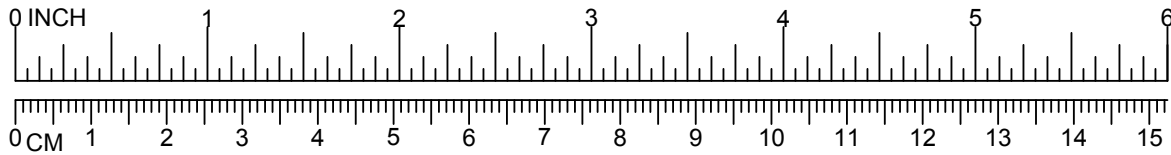
ELEVATION VIEW

Issued/Revised: 05/20/16

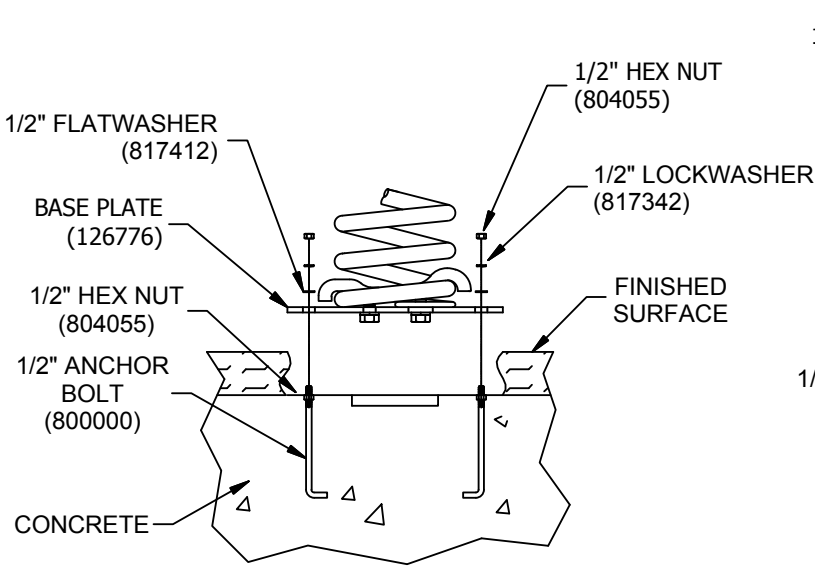
800.458.5872



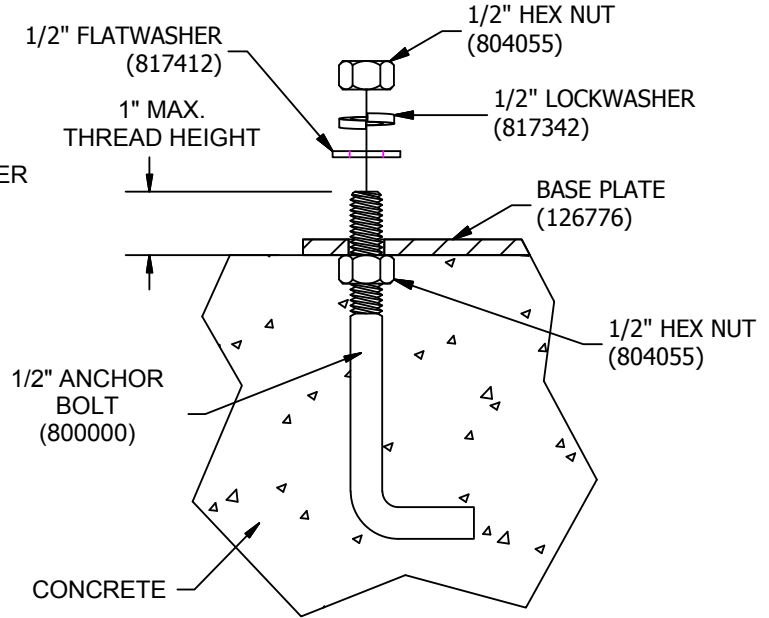
www.actionfitoutdoors.com



UP177 BALANCE BOARD

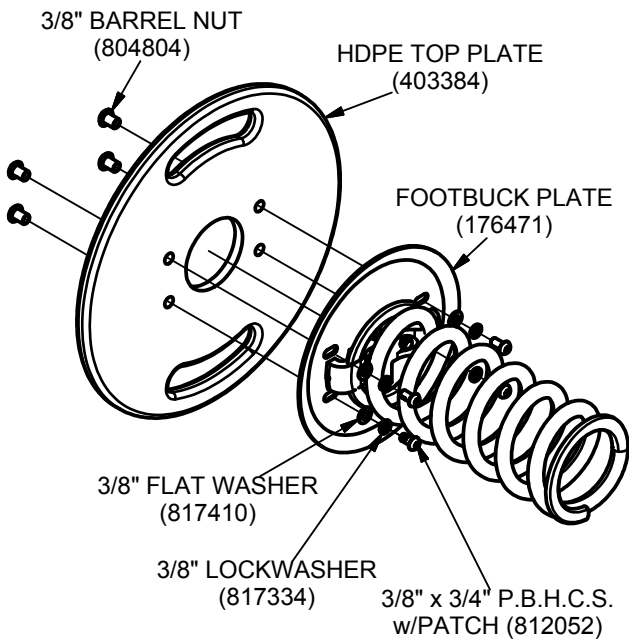


258

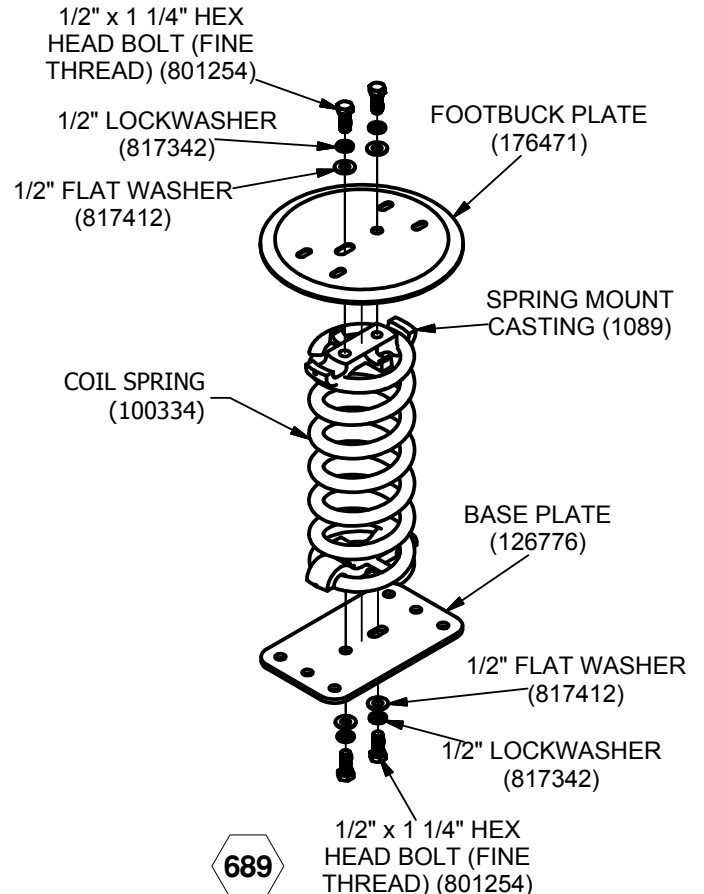


260

IMPORTANT: Make sure when attaching the HDPE Top Plate to place the Densetec Anti-skid Diamond Texture facing up.



686



689

Issued/Revised: 05/20/16

800.458.5872



www.ultraplay.com