

## UP176 BALANCE PLANK

Parts List		
DESCRIPTION	QTY	PART NUMBER
TOP COVER	1	403377
BALANCE BEAM FRAME	1	403381
<b>HARDWARE COMPLETE</b>	1	403382
3/8" x 3/4" P.B.H.C.S. w/PATCH	6	812052*
3/8" LOCKWASHER	6	817334*
3/8" FLAT WASHER	6	817410*
3/8" BARREL NUT	6	804804*
USAGE/WARNING LABEL	1	403877*

*Unless Otherwise Specified, All Units of Measure are Each*

*\*Items listed below Hardware Complete line are included with Hardware Complete Number*

**Warning: During Installation, Hardware And Small Parts Are Choking Hazards For Young Children. Store Unused Parts Appropriately Until Assembly Is Completed. Once Assembly Is Completed, Remove Any Unused Parts From The Play Environment And Dispose/Save Them In A Secure Location. Any bolt end protruding more than two full threads beyond the face of the nut causes risk of clothing entanglement. Promptly cut-off flush, file smooth, and treat to prevent corrosion.**

**Note: Peen Tee-Nuts and Flatwashers to match radius of pipe after assembly is complete.**

**Note: Loctite (supplied by others) should be used on any non-patch hardware.**

### SPECIFICATIONS:

**Top cover:** Shall be 3/4" HDPE Densetec Anti-skid Diamond Texture Sheet.

**Balance Beam Frame:** Shall have a 1 1/2" galvanized pipe with a 12Ga. hot rolled steel top.

**Hardware:** All nuts, bolts, screws, and lock washers used in the assembly shall be stainless steel, yellow dichromate plated steel, blue-coat plated steel, mechanically galvanized or powder coated/yellow dichromate plated steel. All primary fasteners shall be 304 alloy stainless steel. Fasteners with yellow dichromate treatment have an electro-deposited, 99.9% pure zinc substrate applied from a specially formulated solution sealed with a yellow dichromate top coat designed to work in conjunction with the zinc plating.

### INSTALLATION INSTRUCTIONS:

1. Dig footing holes as shown in Plan and Elevation Views. Place brick or equivalent in the bottom of hole to provide a solid foundation.
2. Attach Top Cover to Balance Beam Frame using 3/8" x 3/4" P.B.H.C.S. w/Patch, 3/8" Lock Washer, 3/8" Flat Washer and 3/8" Barrel Nut. See Detail 684. **IMPORTANT:** Make sure to when attaching the Top Cover to place the Densetec Anti-skid Diamond Texture facing up.
3. Plumb and level the entire assembly and tighten all fasteners.
4. After entire unit is assembled, pour concrete footings within 4" to the top and taper away from posts for water drainage. Allow to cure at least 48 hours before use. Note: Temporary bracing may be required until concrete cures.
5. When the structure is finished and satisfactory, eliminate sharp points and sharp edges (burring) on installed hardware like bolts, nuts, etc.
6. A minimum of one Usage/Warning Label Sign Post (UP197) must be used with Balance Plank. SIGN POST MUST BE OUTSIDE MAXIMUM SPACE IN WHICH THE USER AND EXERCISE EQUIPMENT COMPONENTS TRAVERSE WHEN THE EQUIPMENT IS OPERATED.

Issued/Revised: 08/01/16

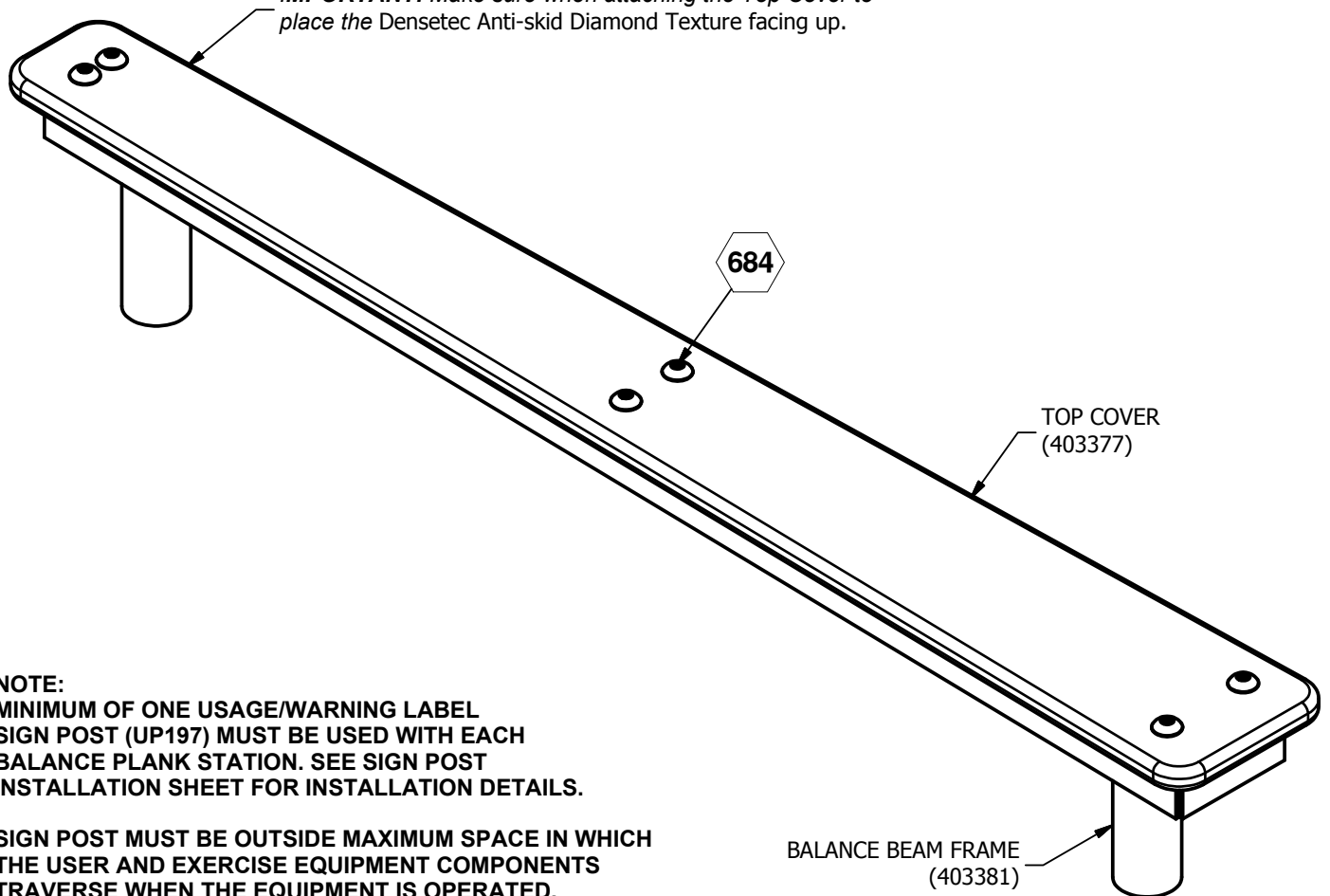


## UP176 BALANCE PLANK

### **MAINTENANCE PROCEDURE:**

Periodically check hardware for tightness, and tighten as necessary. Always check all parts for breakage or wear, and immediately put equipment out of service until any faulty parts found are repaired or replaced. Also Check all metal parts for rust, paint loss and touch-up if necessary with paint. Check for welded areas and verify integrity. Check periodically resilient surfacing for appropriate depth and remove extraneous materials that could cause injury, infection, or disease. Maintain detailed installation, inspection, maintenance, and repair records for each public-use playground equipment.

**IMPORTANT:** Make sure when attaching the Top Cover to place the Densetec Anti-skid Diamond Texture facing up.

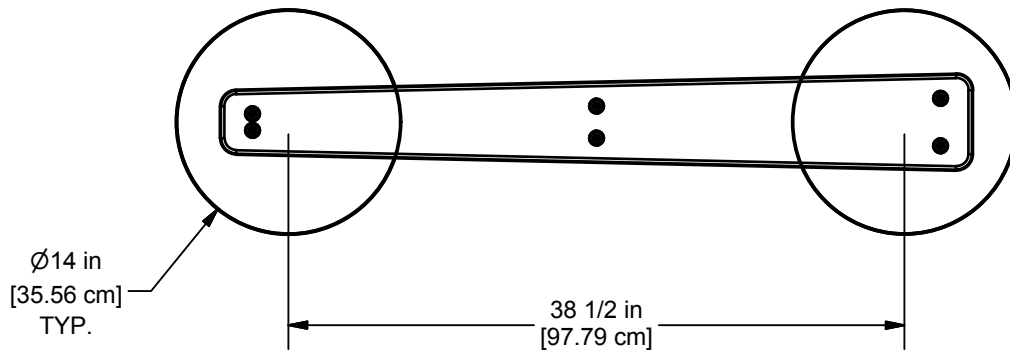


**NOTE:**  
MINIMUM OF ONE USAGE/WARNING LABEL  
SIGN POST (UP197) MUST BE USED WITH EACH  
BALANCE PLANK STATION. SEE SIGN POST  
INSTALLATION SHEET FOR INSTALLATION DETAILS.

**SIGN POST MUST BE OUTSIDE MAXIMUM SPACE IN WHICH  
THE USER AND EXERCISE EQUIPMENT COMPONENTS  
TRAVERSE WHEN THE EQUIPMENT IS OPERATED.**

### **FINISHED ASSEMBLY**

## UP176 BALANCE PLANK



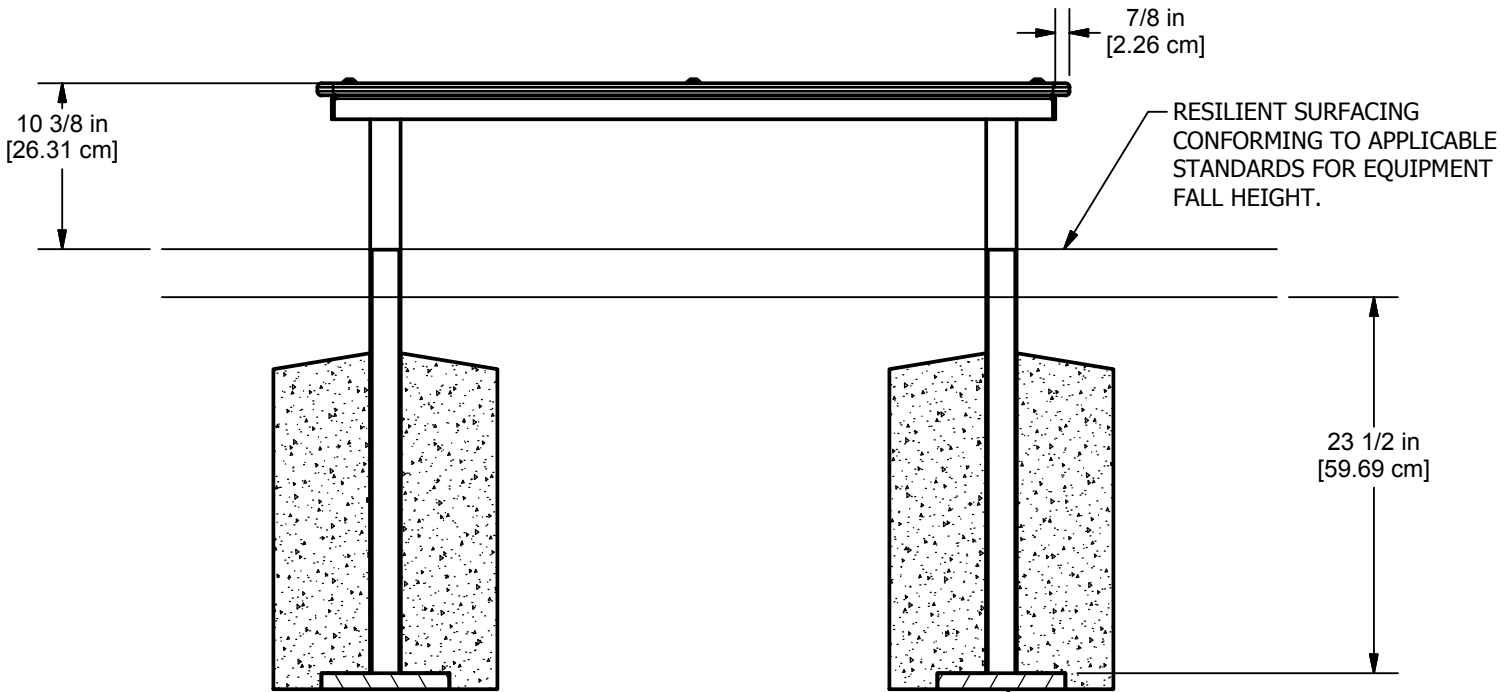
Ø14 in  
[35.56 cm]  
TYP.

38 1/2 in  
[97.79 cm]

**PLAN VIEW**

**CONCRETE REQUIRED**

.132 CUBIC YARDS  
.1 [CUBIC METERS]



10 3/8 in  
[26.31 cm]

7/8 in  
[2.26 cm]

RESILIENT SURFACING  
CONFORMING TO APPLICABLE  
STANDARDS FOR EQUIPMENT  
FALL HEIGHT.

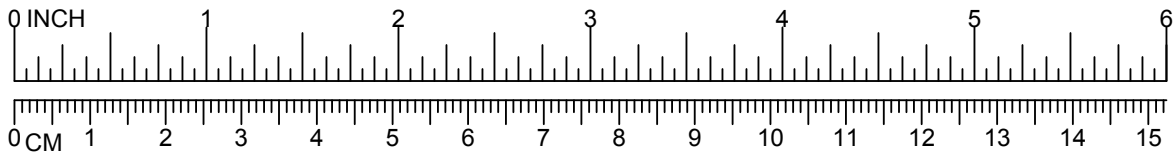
23 1/2 in  
[59.69 cm]

**ELEVATION VIEW**

BRICK OR EQUIVALENT

Issued/Revised: 08/01/16





## UP176 BALANCE PLANK

**IMPORTANT:** Make sure to when attaching the Top Cover to place the Densetec Anti-skid Diamond Texture facing up.

