

UP172 6" PLYOMETRIC BOX
UP173 12" PLYOMETRIC BOX
UP174 18" PLYOMETRIC BOX
UP175 24" PLYOMETRIC BOX

| Parts List | | | | | |
|--------------------------------|-------|-------|-------|-------|-------------|
| DESCRIPTION | UP172 | UP173 | UP174 | UP175 | PART NUMBER |
| TOP COVER | 1 | 1 | 1 | 1 | 403362 |
| 6" PLYOMETRIC FRAME | 1 | 0 | 0 | 0 | 403366 |
| 12" PLYOMETRIC FRAME | 0 | 1 | 0 | 0 | 403369 |
| 18" PLYOMETRIC FRAME | 0 | 0 | 1 | 0 | 403372 |
| 24" PLYOMETRIC FRAME | 0 | 0 | 0 | 1 | 403375 |
| HARDWARE COMPLETE | 1 | 1 | 1 | 1 | 403376 |
| 3/8" x 3/4" P.B.H.C.S. w/PATCH | 4 | 4 | 4 | 4 | 812052 |
| 3/8" LOCKWASHER | 4 | 4 | 4 | 4 | 817334 |
| 3/8" FLAT WASHER | 4 | 4 | 4 | 4 | 817410 |
| 3/8" BARREL NUT | 4 | 4 | 4 | 4 | 804804 |
| 1/2" ANCHOR ROD | 1 | 1 | 1 | 1 | 135038 |
| USAGE/WARNING LABEL | 1 | 1 | 1 | 1 | 403876 |

Unless Otherwise Specified, All Units of Measure are Each

Items listed below Hardware Complete line are included with Hardware Complete Number

Warning: During Installation, Hardware And Small Parts Are Choking Hazards For Young Children. Store Unused Parts Appropriately Until Assembly Is Completed. Once Assembly Is Completed, Remove Any Unused Parts From The Play Environment And Dispose/Save Them In A Secure Location. Any bolt end protruding more than two full threads beyond the face of the nut causes risk of clothing entanglement.

Promptly cut-off flush, file smooth, and treat to prevent corrosion.

Note: Peen Tee-Nuts and Flatwashers to match radius of pipe after assembly is complete.

Note: Loctite (supplied by others) should be used on any non-patch hardware.

SPECIFICATIONS:

Top cover: Shall be 3/4" HDPE Densetec Anti-skid Diamond Texture Sheet.

Plyometric Frame: Shall have a 5" (.12w) galvanized pipe with a 12Ga. hot rolled steel top.

Hardware: All nuts, bolts, screws, and lock washers used in the assembly shall be stainless steel, yellow dichromate plated steel, blue-coat plated steel, mechanically galvanized or powder coated/yellow dichromate plated steel. All primary fasteners shall be 304 alloy stainless steel. Fasteners with yellow dichromate treatment have an electro-deposited, 99.9% pure zinc substrate applied from a specially formulated solution sealed with a yellow dichromate top coat designed to work in conjunction with the zinc plating.

INSTALLATION INSTRUCTIONS:

1. Dig footing holes as shown in Plan and Elevation Views. Place brick or equivalent in the bottom of hole to provide a solid foundation.
2. Attach Top Cover to Plyometric Frame using 3/4" P.B.H.C.S. w/Patch, 3/8" Lock Washer, 3/8" Flat Washer, and 3/8" Barrel Nut. See Detail 684. **IMPORTANT:** Make sure when attaching the Top Cover to place the Densetec Anti-skid Diamond Texture facing up.
3. Attach 1/2" Anchor Rod to Plyometric Frame. See Detail 231.

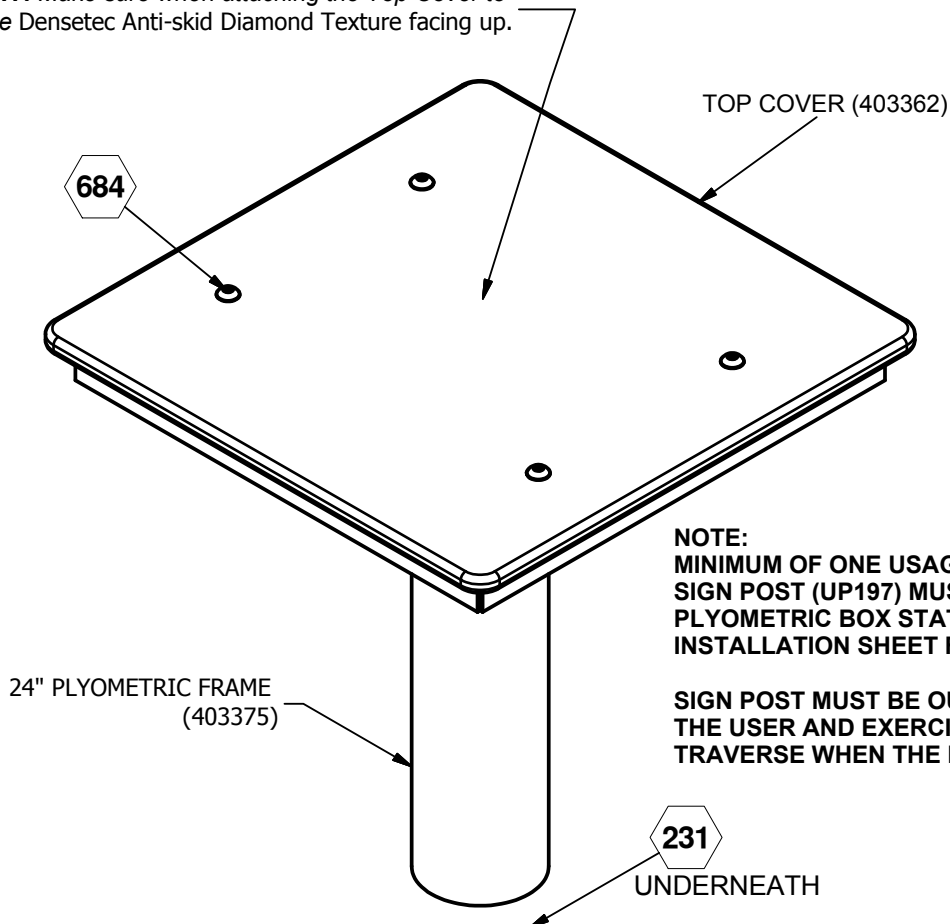
UP172 6" PLYOMETRIC BOX
UP173 12" PLYOMETRIC BOX
UP174 18" PLYOMETRIC BOX
UP175 24" PLYOMETRIC BOX

4. Plumb and level the entire assembly and tighten all fasteners.
5. After entire unit is assembled, pour concrete footings within 4" to the top and taper away from posts for water drainage. Allow to cure at least 48 hours before use. Note: Temporary bracing may be required until concrete cures.
6. When the structure is finished and satisfactory, eliminate sharp points and sharp edges (burring) on installed hardware like bolts, nuts, etc.

MAINTENANCE PROCEDURE:

Periodically check hardware for tightness, and tighten as necessary. Always check all parts for breakage or wear, and immediately put equipment out of service until any faulty parts found are repaired or replaced. Also Check all metal parts for rust, paint loss and touch-up if necessary with paint. Check for welded areas and verify integrity. Check periodically resilient surfacing for appropriate depth and remove extraneous materials that could cause injury, infection, or disease. Maintain detailed installation, inspection, maintenance, and repair records for each public-use playground equipment.

IMPORTANT: Make sure when attaching the Top Cover to place the Densetec Anti-skid Diamond Texture facing up.

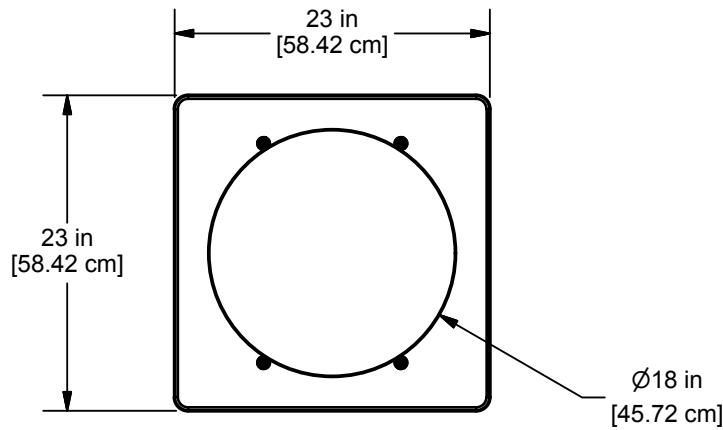


 = INSTALLATION DETAIL

FINISHED ASSEMBLY
UP175 SHOWN

Issued/Revised: 08/02/16

UP172 6" PLYOMETRIC BOX
 UP173 12" PLYOMETRIC BOX
 UP174 18" PLYOMETRIC BOX
 UP175 24" PLYOMETRIC BOX



CONCRETE REQUIRED
 0.109 CUBIC YARDS
 0.083 [CUBIC METERS]

| HEIGHT CHART | |
|--------------|-----------------------|
| STANDARD | HEIGHT from SURFACING |
| UP172 | 6" |
| UP173 | 12" |
| UP174 | 18" |
| UP175 | 24" |

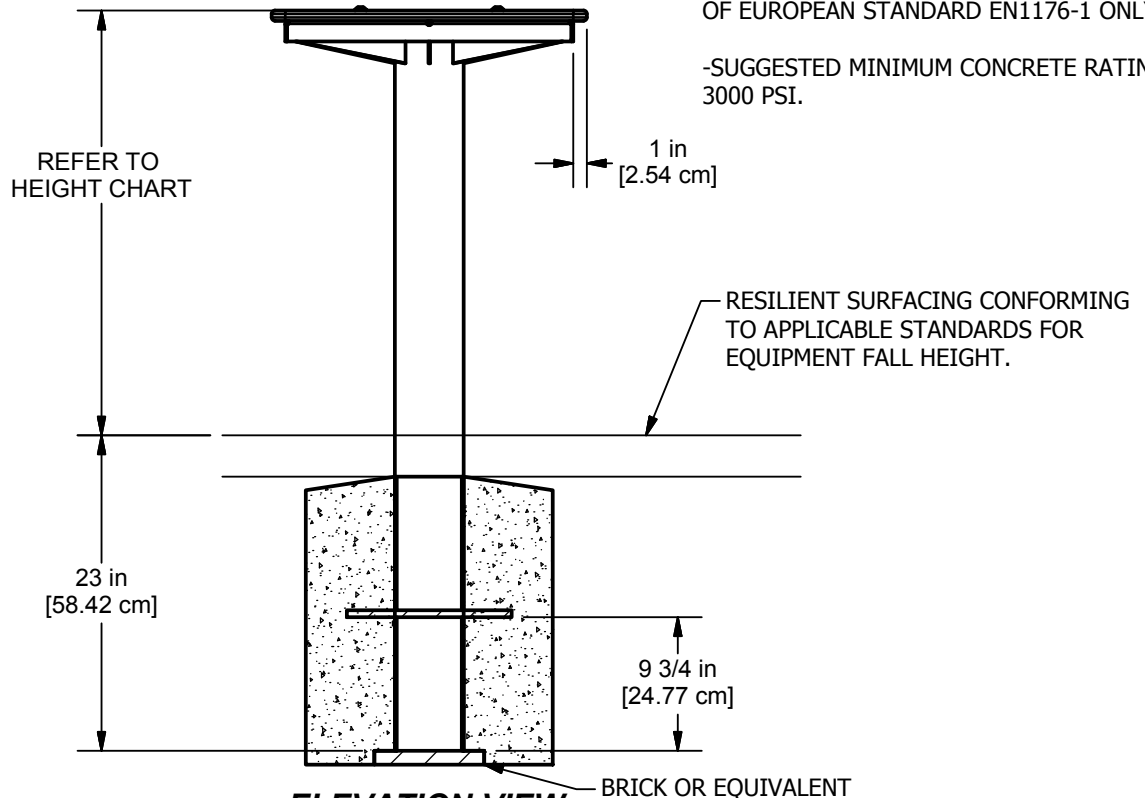
PLAN VIEW

NOTES:

-RESILIENT SURFACING AND SUBSTANTIAL COMPACTED SUBGRADE DEPTHS DEPEND ON SOIL CONDITIONS AND RESILIENT SURFACING TYPE.

-SLOPED FOOTING IS A REQUIREMENT OF EUROPEAN STANDARD EN1176-1 ONLY

-SUGGESTED MINIMUM CONCRETE RATING 3000 PSI.



ELEVATION VIEW
 UP175 SHOWN

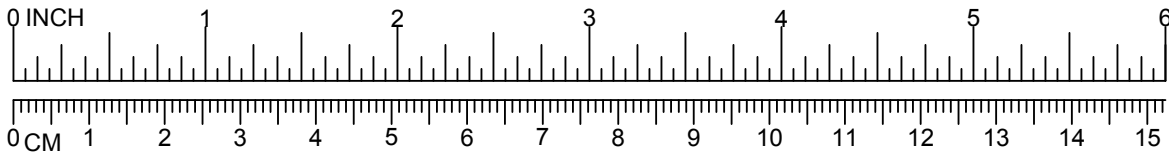


A PLAYCORE Company

Issued/Revised: 08/02/16

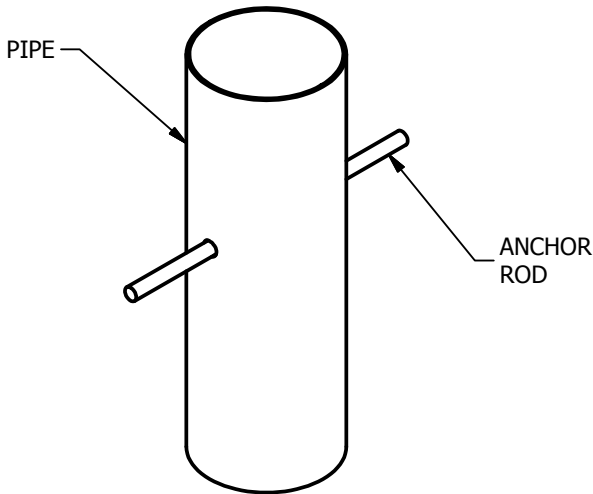
800.458.5872

www.actionfitoutdoors.com 3

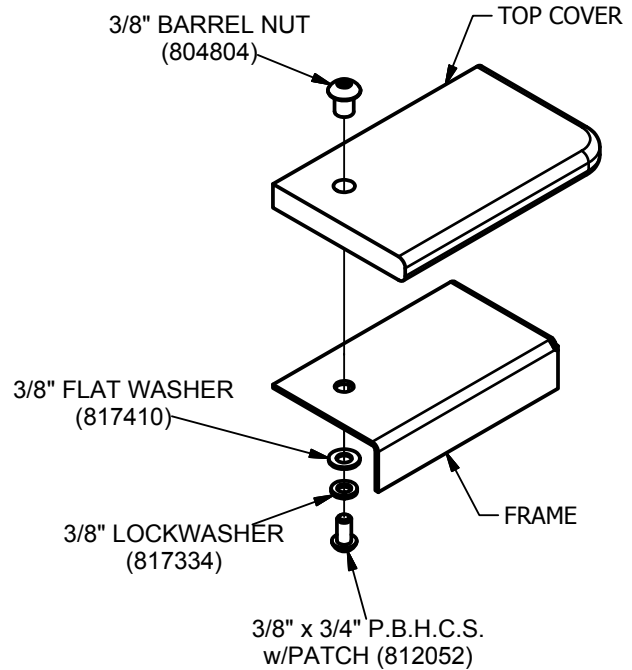


UP172 6" PLYOMETRIC BOX
UP173 12" PLYOMETRIC BOX
UP174 18" PLYOMETRIC BOX
UP175 24" PLYOMETRIC BOX

IMPORTANT: Make sure when attaching the Top Cover to place the Densetec Anti-skid Diamond Texture facing up.



231



684