

**UP167J CAPTAINS CHAIR (FOOTING)
UP167S CAPTAINS CHAIR (IN GROUND)
UP167M CAPTAINS CHAIR (SURFACE MOUNT)**

Parts List				
DESCRIPTION	UP167J (FOOTING)	UP167S (IN-GROUND)	UP167M (SURFACE MOUNT)	PART NUMBER
FRAME ASSEMBLY	1	1	1	211151
CUSHION	5	5	5	209075
ARM ASSEMBLY (LEFT)	1	1	1	211158
ARM ASSEMBLY (RIGHT)	1	1	1	211165
5" BASE COVER	1	1	1	207659
FOOTBUCK ASS'Y	0	1	0	206467
HARDWARE COMPLETE	1	0	0	313726
HARDWARE COMPLETE	0	1	0	313727
HARDWARE COMPLETE	0	0	1	313728
3/4" LOCKWASHER	4	4	4	817354*
3/4" FLATWASHER (2" O.D.)	8	4	0	817420*
3/4" HEX NUT	8	4	0	804058*
3/4" WEDGE ANCHOR	0	0	4	206358*
3/4" ANCHOR BOLT	4	0	0	800001*
3/4" x 2" HEX HEAD CAP SCREW	0	4	0	801533*
1/2" x 4" HEX HEAD BOLT	2	2	2	801224*
1/2" FLAT WASHER	4	4	4	817412*
1/2" LOCKWASHER	2	2	2	817342*
1/2" HEX NUT	2	2	2	804055*
5" INJECTION MOLDED CAP	1	1	1	207710*
12MM DO-NUT CAP	4	4	4	G036BK*
12MM DO-NUT BASE	4	4	4	G034BK*
1/2" ANCHOR ROD	0	2	0	135038*
USAGE/WARNING LABEL	1	1	1	403890*

Unless Otherwise Specified, All Units of Measure are Each

Items listed below Hardware Complete line are included with Hardware Complete Number

Warning: During Installation, Hardware And Small Parts Are Choking Hazards For Young Children. Store Unused Parts Appropriately Until Assembly Is Completed. Once Assembly Is Completed, Remove Any Unused Parts From The Play Environment And Dispose/Save Them In A Secure Location. Any bolt end protruding more than two full threads beyond the face of the nut causes risk of clothing entanglement. Promptly cut-off flush, file smooth, and treat to prevent corrosion.

Note: Peen Tee-Nuts and Flatwashers to match radius of pipe after assembly is complete.

SPECIFICATIONS: *Note: Loctite (supplied by others) should be used on any non-patch hardware.*

BASE COVER: The Base Cover shall be constructed from aluminum and powder coated.

CUSHION: The Cushion shall be injection molded Nylon W6.

5" PLASTIC CAP: The 5" Plastic Cap shall be constructed from injection molded Low Density Polyethylene, black in color.

WELD ASSEMBLIES:

ARM ASSEMBLIES: The handlebar assemblies shall be constructed from 1.66" O.D.x 0.109" steel tubing. The assemblies shall be coated with a custom formula of TGIC polyester powder, after fabrication in conformance with the specifications outlined herein.

Issued/Revised: 10/05/16



UP167J CAPTAINS CHAIR (FOOTING) UP167S CAPTAINS CHAIR (IN GROUND) UP167M CAPTAINS CHAIR (SURFACE MOUNT)

MAIN POST: Main Post assembly shall be manufactured with 5" O.D. galvanized upright. The upright shall be 7 gauge (.180") galvanized round tubing, manufactured to ASTM A-500 Grade B tolerances from cold-formed steel conforming to ASTM A-569 Sheet Spec for steel coil. Minimum yield strength shall be 50,000 psi and minimum tensile strength shall be 55,000 psi. The exterior surface is hot dip galvanized, chromate conversion coated, and a clear high performance organic polymer is applied. The inside diameter has 81% minimum zinc rich primer capable of providing excellent rust protection and fabrication characteristics. All coatings are applied inside and out after welding for superior corrosion protection throughout. Exterior surface galvanizing zinc purity is 99% as per ASTM B-6 high grade and special high grade. Galvanizing coverage shall demonstrate the ability to exceed 1000 hours salt spray corrosion exposure in accordance with ASTM B-117. Internal surface zinc rich 81% minimum zinc dust content in organic resin, as per ASTM F-1234, Section 5.2.4, Type D. The main support frame assemblies and formed supports shall be coated with a custom formula of TGIC polyester powder, after fabrication in conformance with the specifications outlined herein.

FOOTBUCK: The upright shall be fabricated of 5" O.D. galvanized pipe and the mounting plate shall be a fabricated 3/8" hot rolled flat steel. Shall be a once piece welded unit, with powder coat black finish.

POWDER COAT FINISH: Shall be an electrostatically applied custom formula of TGIC polyester powder. All components will be free of sharp edges and excess weld spatter and shall be cleaned in a six stage bath system with an iron phosphate wash, as a rust inhibitor, and a sealer to prevent flash rusting before coating. The coating shall have a super tough finish with maximum exterior durability and will have superior adhesion characteristics. Typical Characteristics are: 3.0 - 5.0 mil thickness and oven cured between 375 to 425 degrees Fahrenheit. Pencil Hardness H (ASTM D-3363), Impact (ASTM D-2794-69), Wedge Bend (ASTM D-522-68).

HARDWARE: All nuts, bolts, screws, and lock washers used in the assembly shall be stainless steel, yellow dichromate plated steel, blue-coat plated steel, mechanically galvanized or powder coated/yellow dichromate plated steel. All primary fasteners shall be 304 alloy stainless steel. Fasteners with yellow dichromate treatment have an electro-deposited, 99.9% pure zinc substrate applied from a specially formulated solution sealed with a yellow dichromate top coat designed to work in conjunction with the zinc plating.

SPECIFICATIONS: PLAYCORE © has a policy of continuous improvement and reserves the right to discontinue or change specifications without notice.

NOTE: Do not overtighten bolts. To overtighten may cause buckling or dimpling of some parts.

NOTE: Read installation instructions thoroughly before starting assembly. Pour concrete only after final assembly is completed. Bracing material is required during assembly.

NOTE: Assembly and leveling times will be greatly reduced if a transit is used to set location and depth of ground holes.

INSTALLATION INSTRUCTIONS FOR UP167J (FOOTING):

1. Attach Left and Right Arm Assemblies to Frame Assembly using Base, 1/2" x 4" Hex Head Bolts, 1/2" Lockwashers, 1/2" Flatwashers, 1/2" Hex Nuts, and Caps. Refer to Arm Assembly Detail. Attach Cushion using M8 x 25 Cap Screw, 8mm Flat Washer, and 8mm Lock Washer provided with Cushion. See Cushion Assembly Detail.
2. Dig holes or drill holes according to Plan View and Elevation View. **NOTE:** Due to extremes in weather and soil conditions, hole size may have to be increased to meet local conditions.
3. Fill hole with concrete. While the concrete is still soft, yet firm enough to support the Captains Chair, Place (4) Anchor Bolts of the Captains Chair in position. See Footing Detail. **NOTE:** Use Captains Chair as a template for Anchor Bolt location, then remove Captains Chair.

IMPORTANT: DO NOT MOUNT THE CAPTAINS CHAIR TO THE ANCHOR BOLTS FOR AT LEAST 7 DAYS.

4. After concrete has cured and set for a minimum of 7 days, attach Captains Chair to 3/4" Anchor Bolt using 3/4" Flat Washer (2" O.D.), 3/4" Lock Washer, and 3/4" Hex Nut. See Footing Assembly Detail.
5. Attach Base Cover to Equipment Post using Base Cover Nut and Base Cover Bolt included with Base Cover. See Base Cover Detail.

UP167J CAPTAINS CHAIR (FOOTING) UP167S CAPTAINS CHAIR (IN GROUND) UP167M CAPTAINS CHAIR (SURFACE MOUNT)

INSTALLATION INSTRUCTIONS FOR UP167S (IN-GROUND):

1. Attach Left and Right Arm Assemblies to Frame Assembly using Base, 1/2" x 4" Hex Head Bolts, 1/2" Lockwashers, 1/2" Flatwashers, 1/2" Hex Nuts, and Caps. Refer to Arm Assembly Detail. Attach Cushion using M8 x 25 Cap Screw, 8mm Flat Washer, and 8mm Lock Washer provided with Cushion. See Cushion Assembly Detail.
2. Dig holes or drill holes according to Plan View and Elevation View. **NOTE:** Due to extremes in weather and soil conditions, hole size may have to be increased to meet local conditions.
3. Attach the Footbuck Weld Assembly to the Captains Chair using 3/4" Hex Nut, 3/4" Lock Washer, 3/4" Flat Washer (2" O.D.), 3/4" x 2" Hex Head Cap Screw. See In-Ground Assembly Detail.
4. Place Captains Chair into holes making sure it rests on the brick. See In-Ground Detail.
5. Level Captains Chair using sway bracing.
6. Pour concrete according to the Plan View and Elevation View. Allow concrete to cure for a minimum of 7 days.
7. Attach Base Cover to Equipment Post using Base Cover Detail.

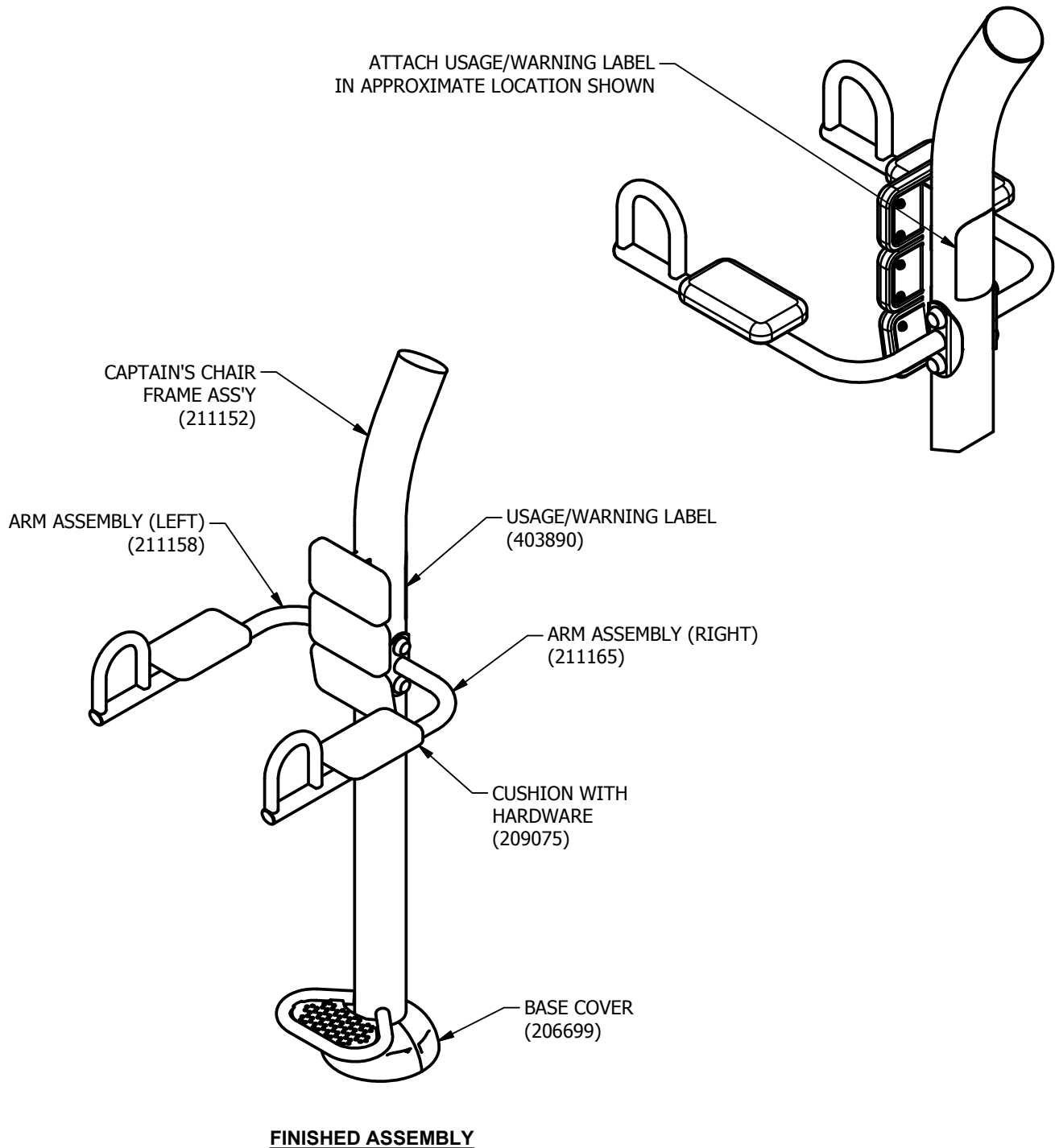
INSTALLATION INSTRUCTIONS FOR UP167M (SURFACE MOUNT):

1. Attach Left and Right Arm Assemblies to Frame Assembly using Base, 1/2" x 4" Hex Head Bolts, 1/2" Lockwashers, 1/2" Flatwashers, 1/2" Hex Nuts, and Caps. Refer to Arm Assembly Detail. Attach Cushion using M8 x 25 Cap Screw, 8mm Flat Washer, and 8mm Lock Washer provided with Cushion. See Cushion Assembly Detail.
2. Mark correct location of holes for Wedge Anchors using the Base Plate as a guide.
3. Drill 3/4" x 2 1/2" hole in concrete for Wedge Anchor. See Surface Assembly Detail.
4. Insert Wedge Anchors and secure with 3/4" Flat Washers (2" O.D.), 3/4" Lock Washer, and 3/4" Hex Nut. See Surface Assembly Detail.
5. Attach Base Cover to Equipment Post using Base Cover Detail.

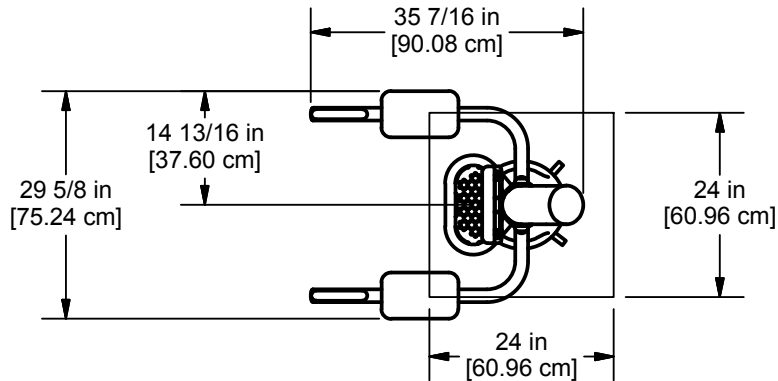
MAINTENANCE PROCEDURE:

Periodically check hardware for tightness, and tighten as necessary. Always check all parts for breakage or wear, and immediately put equipment out of service until any faulty parts found are repaired or replaced. Also Check all metal parts for rust, paint loss and touch-up if necessary with paint. Check for welded areas and verify integrity. Check periodically resilient surfacing for appropriate depth and remove extraneous materials that could cause injury, infection, or disease. Maintain detailed installation, inspection, maintenance, and repair records for each public-use playground equipment.

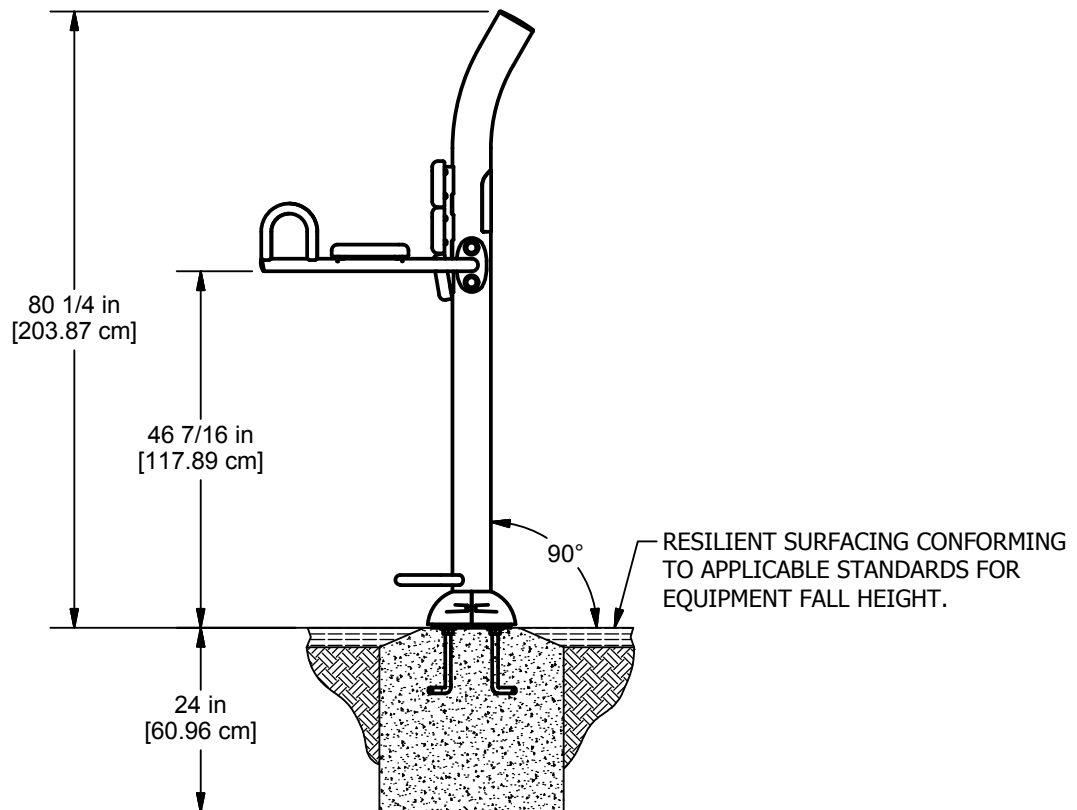
UP167J CAPTAINS CHAIR (FOOTING)
UP167S CAPTAINS CHAIR (IN GROUND)
UP167M CAPTAINS CHAIR (SURFACE MOUNT)



**UP167J CAPTAINS CHAIR (FOOTING)
UP167S CAPTAINS CHAIR (IN GROUND)
UP167M CAPTAINS CHAIR (SURFACE MOUNT)**



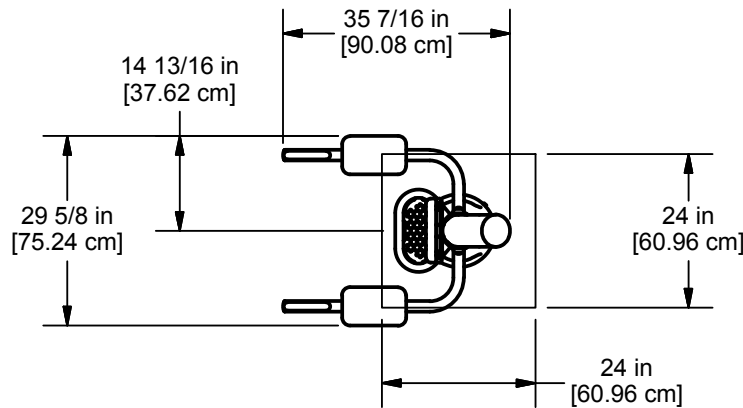
PLAN VIEW



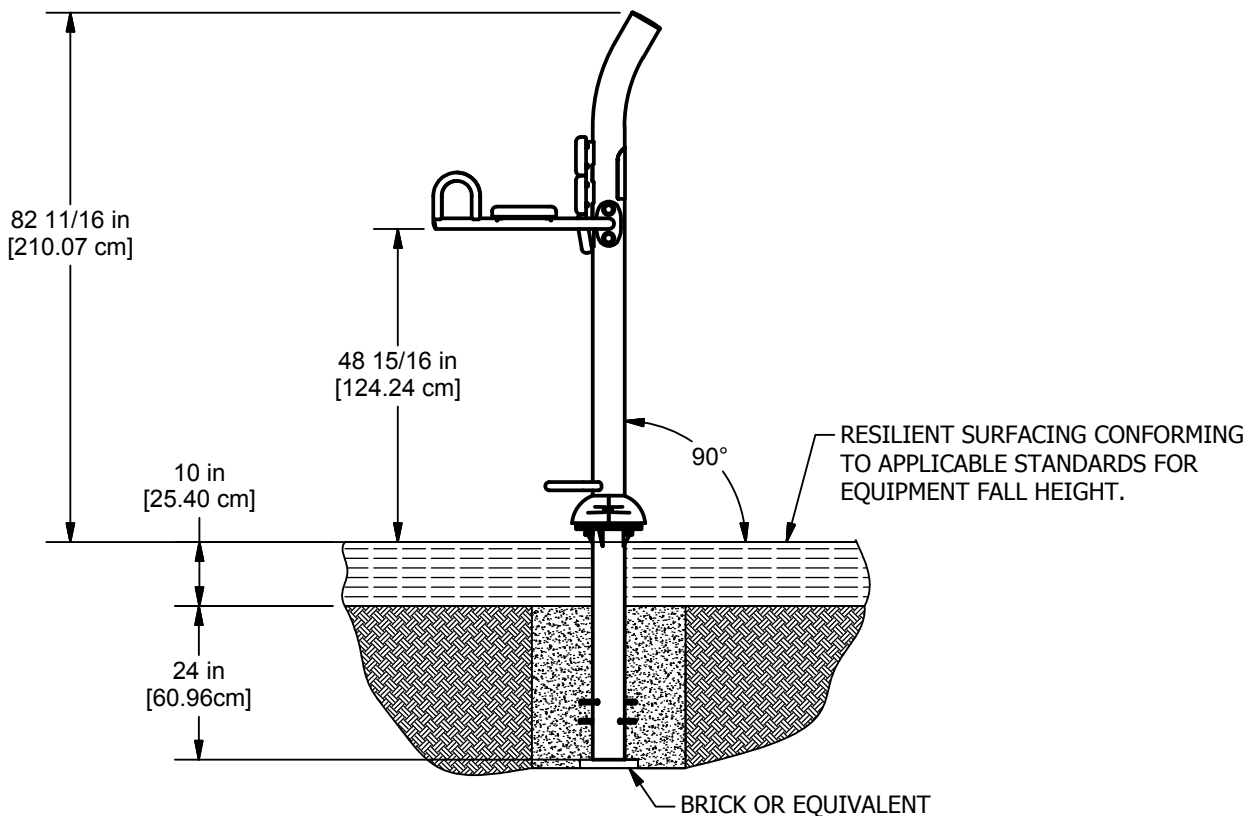
ELEVATION VIEW
UP167J (FOOTING)

Issued/Revised: 10/05/16

UP167J CAPTAINS CHAIR (FOOTING)
UP167S CAPTAINS CHAIR (IN GROUND)
UP167M CAPTAINS CHAIR (SURFACE MOUNT)

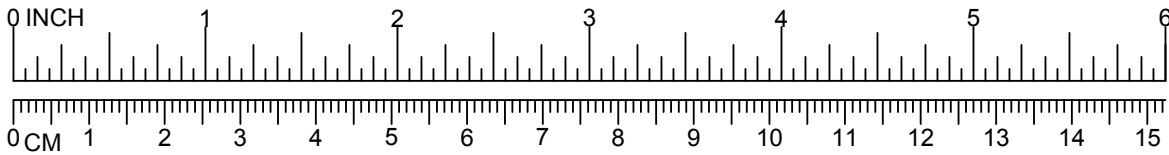


PLAN VIEW

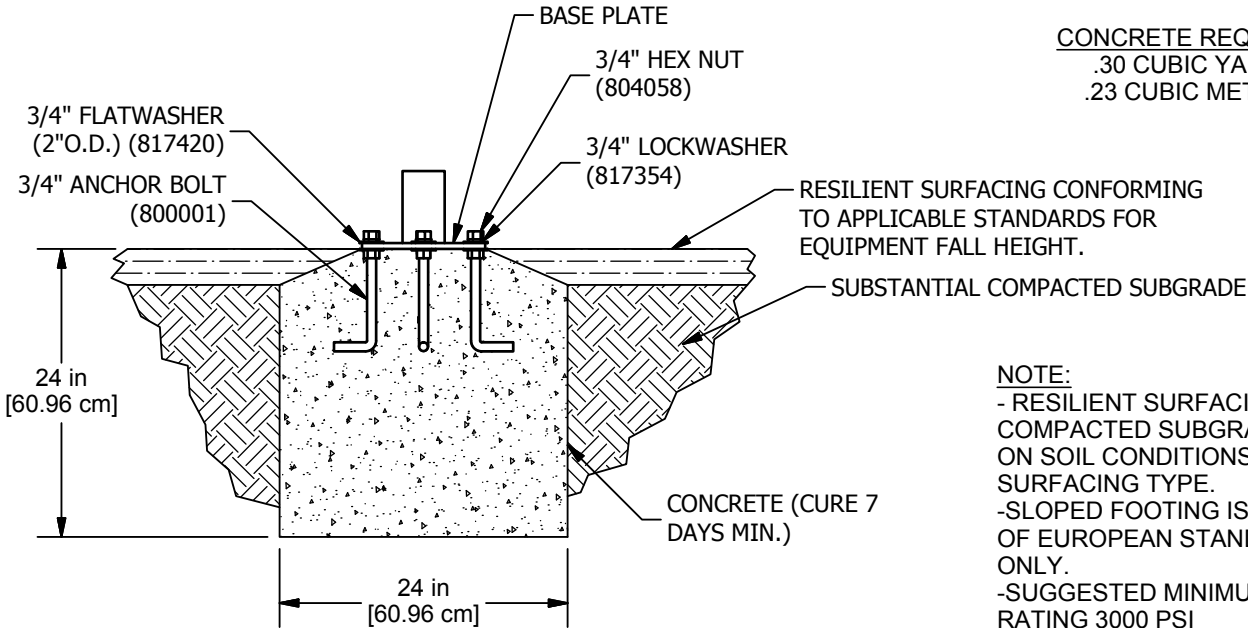


ELEVATION VIEW
UP167S (IN GROUND)

Issued/Revised: 10/05/16



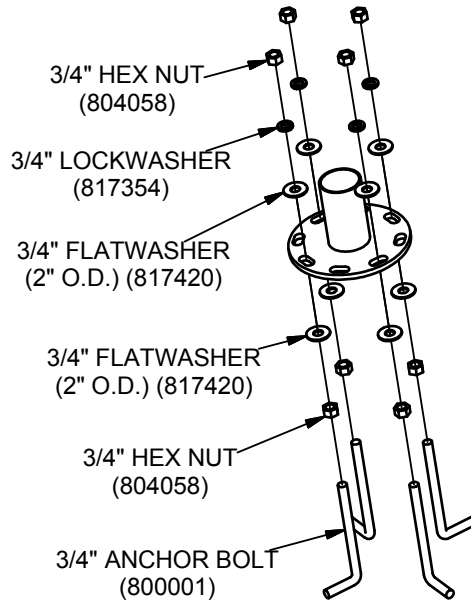
**UP167J CAPTAINS CHAIR (FOOTING)
 UP167S CAPTAINS CHAIR (IN GROUND)
 UP167M CAPTAINS CHAIR (SURFACE MOUNT)**



CONCRETE REQUIRED:
 .30 CUBIC YARDS
 .23 CUBIC METERS

NOTE:
 - RESILIENT SURFACING AND SUBSTANTIAL COMPACTED SUBGRADE DEPTHS DEPEND ON SOIL CONDITIONS AND RESILIENT SURFACING TYPE.
 -SLOPED FOOTING IS A REQUIREMENT OF EUROPEAN STANDARD EN1176-1 ONLY.
 -SUGGESTED MINIMUM CONCRETE RATING 3000 PSI

FOOTING DETAIL

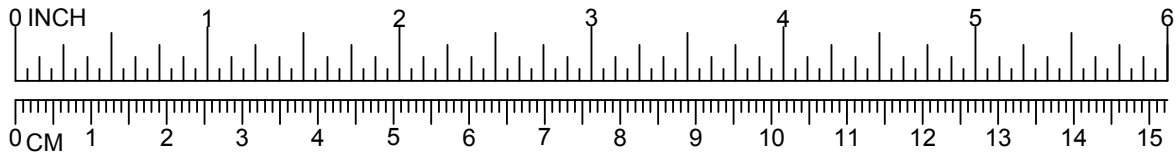


FOOTING ASSEMBLY DETAIL

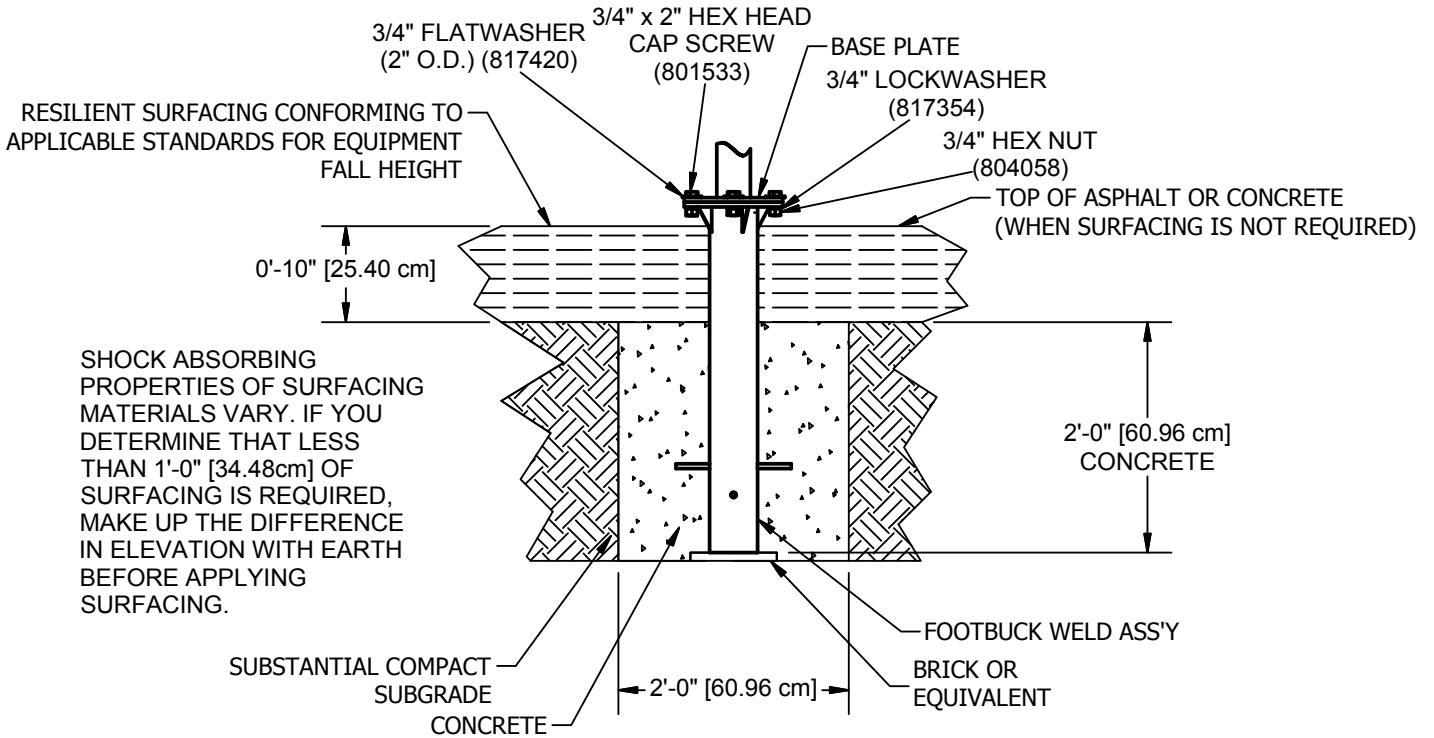
UP167J (FOOTING)

Issued/Revised: 10/05/16





UP167J CAPTAINS CHAIR (FOOTING) UP167S CAPTAINS CHAIR (IN GROUND) UP167M CAPTAINS CHAIR (SURFACE MOUNT)



SHOCK ABSORBING PROPERTIES OF SURFACING MATERIALS VARY. IF YOU DETERMINE THAT LESS THAN 1'-0" [34.48cm] OF SURFACING IS REQUIRED, MAKE UP THE DIFFERENCE IN ELEVATION WITH EARTH BEFORE APPLYING SURFACING.

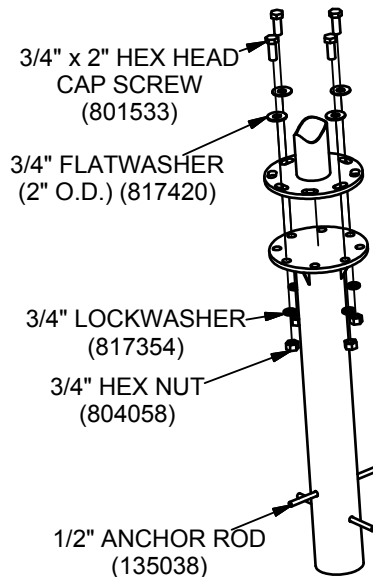
IN GROUND DETAIL

CONCRETE REQUIRED:
.30 CUBIC YARDS
.23 CUBIC METERS

NOTE:
-RESILIENT SURFACING AND SUBSTANTIAL COMPACTED SUBGRADE DEPTHS DEPEND ON SOIL CONDITIONS AND RESILIENT SURFACING TYPE.

-SLOPED FOOTING (45° MIN) IS A REQUIREMENT OF EUROPEAN STANDARD EN1176-1 ONLY.

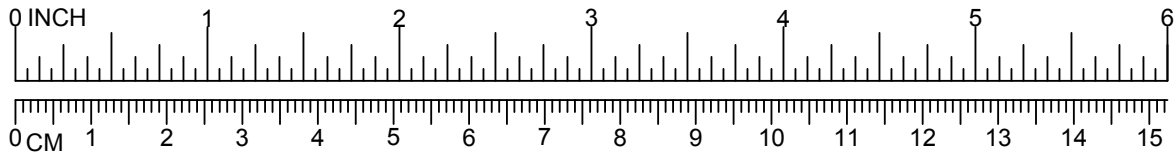
-SUGGESTED MINIMUM CONCRETE RATING 3000 PSI.



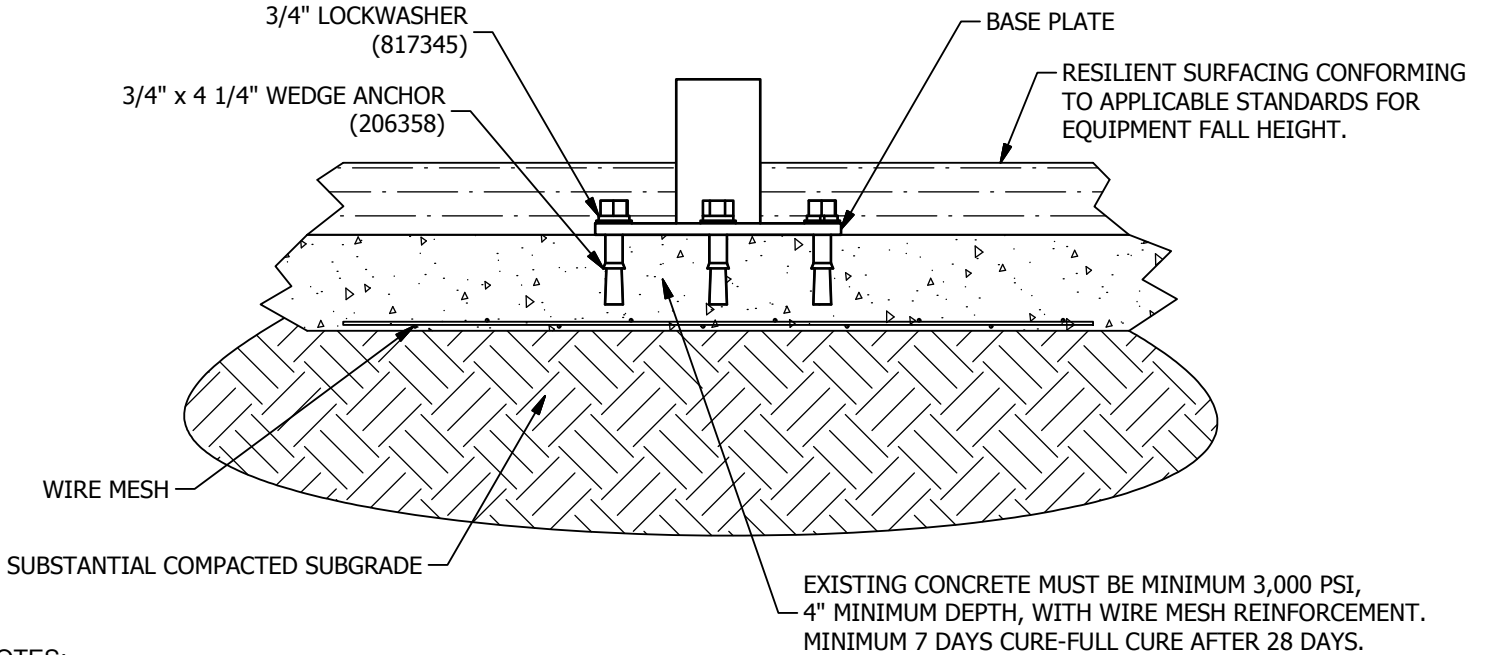
IN GROUND ASSEMBLY DETAIL UP167S (IN GROUND)

Issued/Revised: 10/05/16





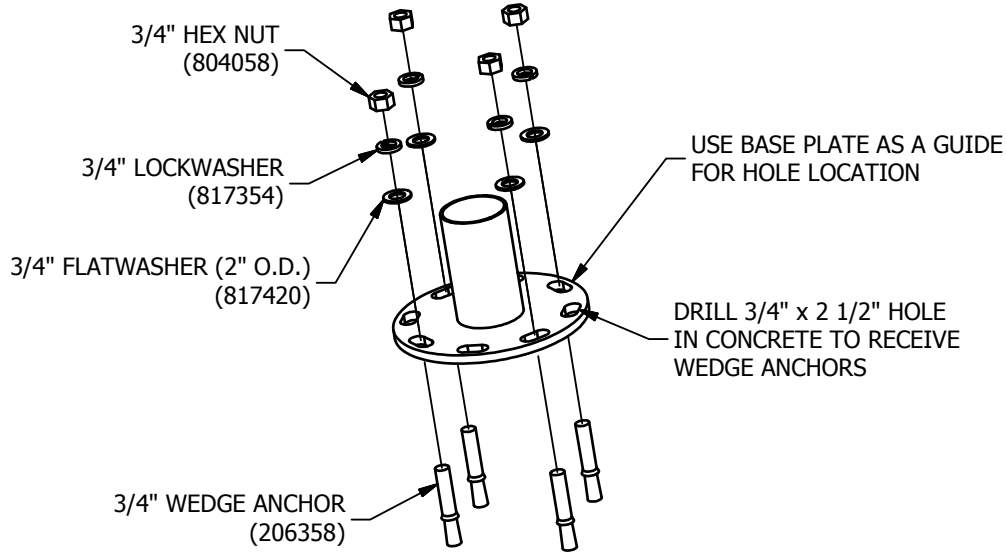
**UP167J CAPTAINS CHAIR (FOOTING)
 UP167S CAPTAINS CHAIR (IN GROUND)
 UP167M CAPTAINS CHAIR (SURFACE MOUNT)**



NOTES:
 -LOOSE FILL SURFACING NOT RECOMMENDED FOR SURFACE MOUNT.

SURFACE DETAIL

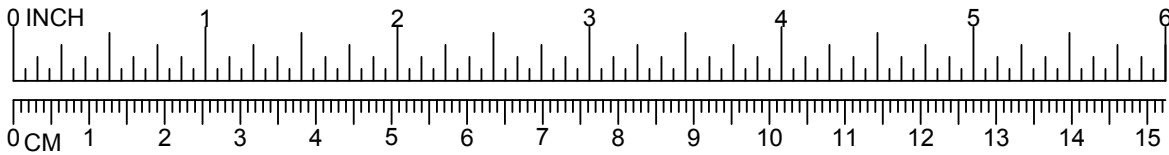
-RESILIENT SURFACING AND SUBSTANTIAL COMPACTED SUBGRADE DEPTHS DEPEND ON SOIL CONDITION AND RESILIENT SURFACING TYPE.



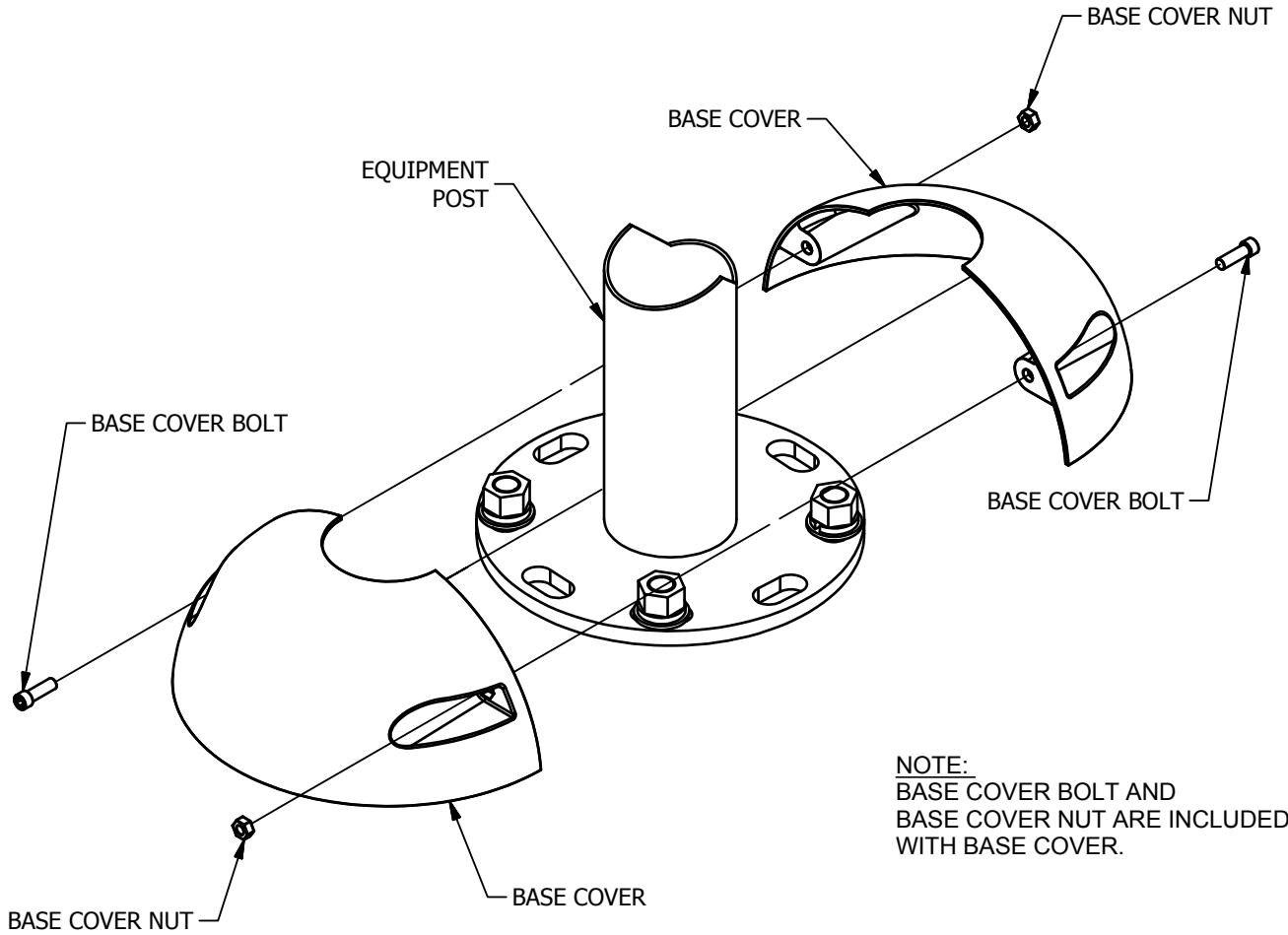
**SURFACE ASSEMBLY DETAIL
 UP167M (SURFACE MOUNT)**

Issued/Revised: 10/05/16



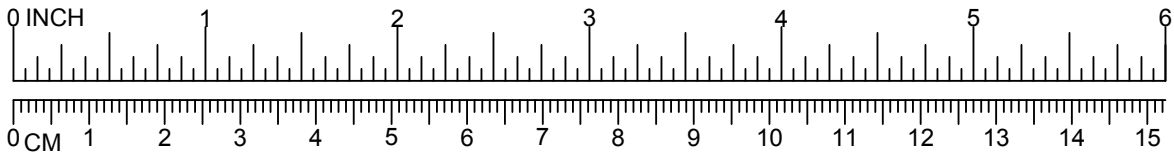


**UP167J CAPTAINS CHAIR (FOOTING)
UP167S CAPTAINS CHAIR (IN GROUND)
UP167M CAPTAINS CHAIR (SURFACE MOUNT)**

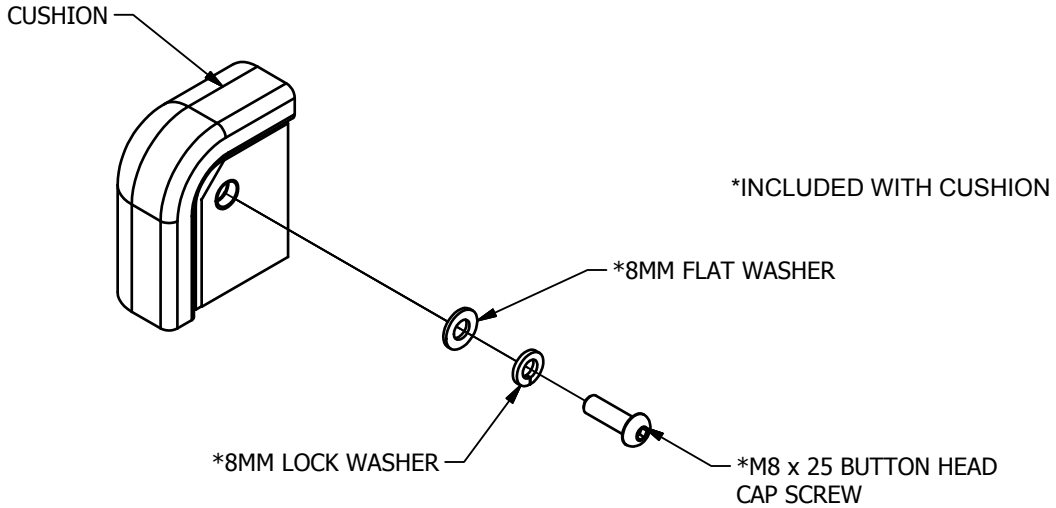


NOTE:
BASE COVER BOLT AND
BASE COVER NUT ARE INCLUDED
WITH BASE COVER.

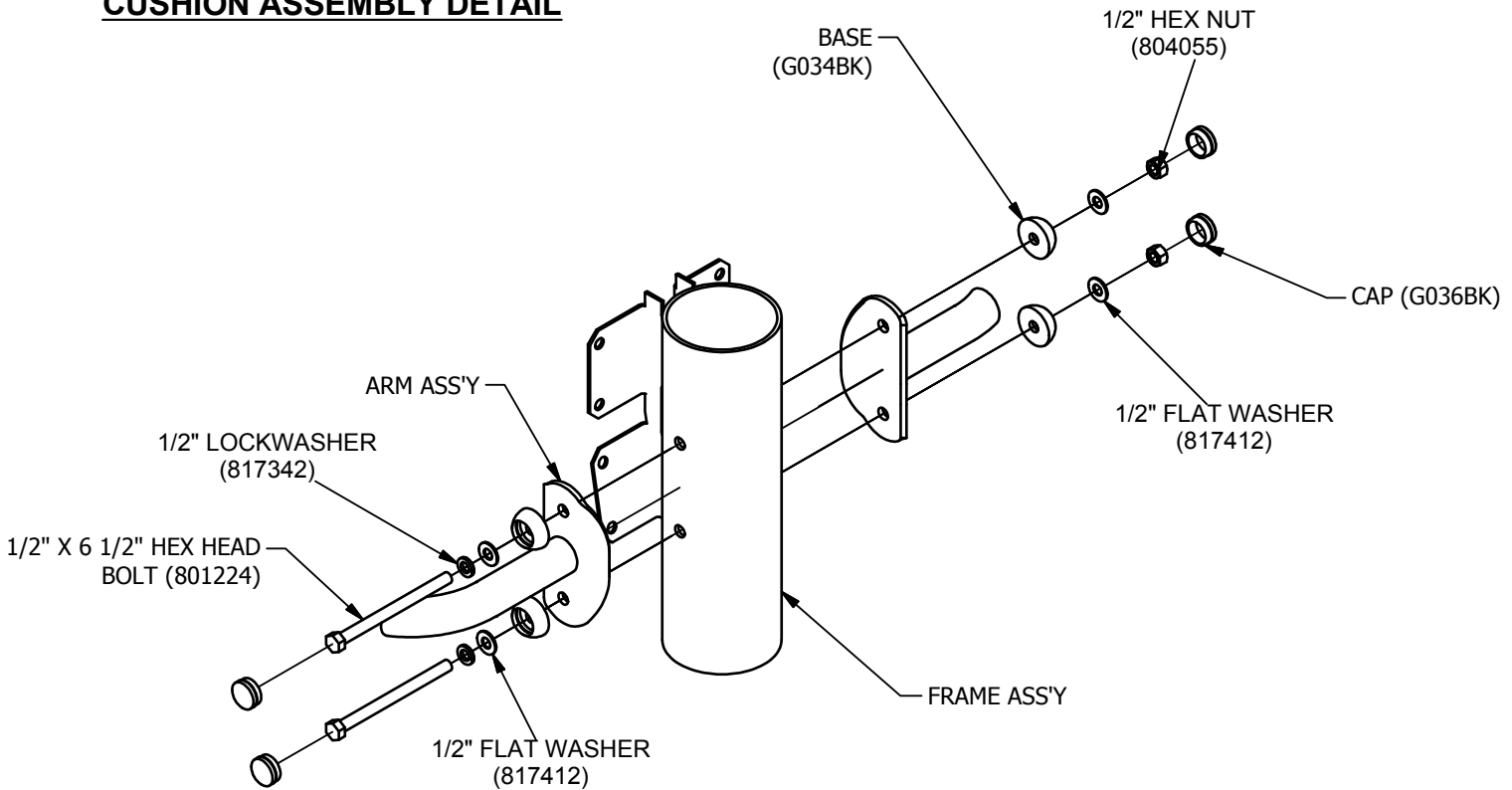
BASE COVER DETAIL



**UP167J CAPTAINS CHAIR (FOOTING)
 UP167S CAPTAINS CHAIR (IN GROUND)
 UP167M CAPTAINS CHAIR (SURFACE MOUNT)**



CUSHION ASSEMBLY DETAIL



ARM ASSEMBLY DETAIL

Issued/Revised: 10/05/16

800.458.5872



www.ultraplay.com