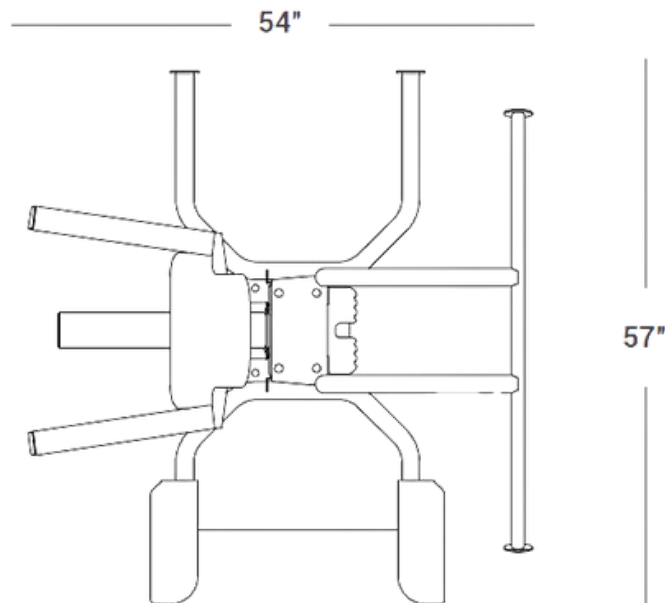


Titan Multigym



KEY FEATURES

- ✓ Four (4) users
- ✓ Four (4) stations
- ✓ Five (5) exercises
- ✓ Weatherproof and tamperproof
- ✓ 15-year warranty
- ✓ No moving parts



TECHNICAL SPECIFICATIONS

Height: 85" (216 cm)

Width: 54" (138 cm)

Length: 57" (145 cm)

Fall Height: 84" (213 cm)

Use Zone: 12'4" x 8'10" (375.92 cm

x 269.24 cm)

Weight: 253 lbs. (115 kg)

Shipping Dimensions: 36" (91 cm) W x 80" (204 cm) L x 30" (76 cm) H

Shipping Weight: 358 lbs. (162 kg)

Frame: Constructed of 3/16" and 1/4" thick heavy-duty steel. All fasteners are tamperproof stainless steel carriage bolts with a smooth, rounded head and square neck. The locking nuts are shielded behind a padlocked access hatch.

Finish:

- All parts have surfaces prepped and cleaned of all mill scale, rust, oils, and dirt using shot blast and/or chemical wash
- Primer coat is applied with epoxy zinc-rich primer (3-4 mil thickness) and cured in oven
 - Primer designed for superior rust protection. Tested for 3000 hours of salt spray resistance
- Top finish coat is applied with TGIC-FREE weather-resistant polyester powder (3-4 mil thickness) and cured in oven
 - Tested for 1500 hours of salt spray resistance
- All parts inspected to be free of paint defects prior to shipping

Accessibility: It is the manufacturers' opinion that the Titan Multigym conforms to the A.D.A. accessibility standard, assuming an accessible protective surfacing is provided or within the entire use zone.

Vertical Abdominal Knee Raise

- Back pad is angled properly and ergonomically
- Exercises available:
 - Straight Leg Raise
 - Bent Leg Raise

Calf Raise

- Square steel non-slip treadplate
- Exercises available:
 - Single-leg calf raises
 - Double-leg calf raises

Elevated Push-Up Platform

- Steel non-slip treadplate
- Exercises available
 - Push-ups

Dip Bars

- Solid steel
- Exercises available:
 - Dips

Chin-up Bar

- Solid steel assist lip to provide assistance
- Exercises available:
 - Wide Grip Chin-up
 - Narrow Grip Chin-up
 - Hammer Grip Chin-up

End of comprehensive technical specifications.