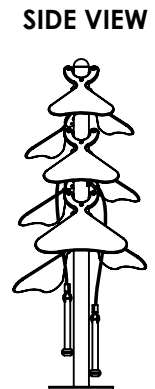
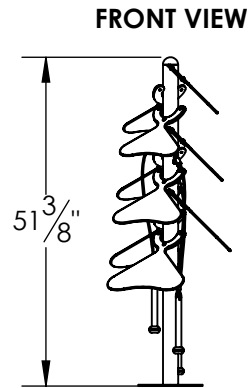
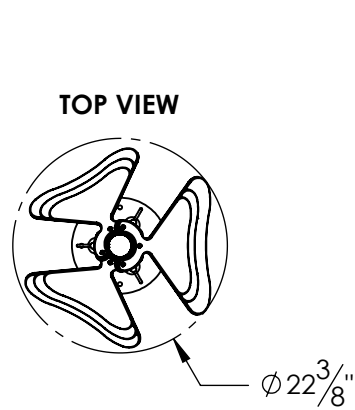


TREE-T-INSTALL

- Powder Coated Steel Frame
- Anodized Aluminum Leaves
- Stainless Steel Hardware

TODDLER TREE

INSTALLATION GUIDE



TREE-T-IG

Inground, Sheet 3

Assembled Weight: 55lbs

Combined Packaged Weight: 56lbs

Pack Dims: 51.375"x31.14"x10"



TREE-T-SM

Surface Mount, Sheet 4

Assembled Weight: 44lbs

Combined Packaged Weight: 45lbs

Pack Dims: 51.375"x25.1875"x10"



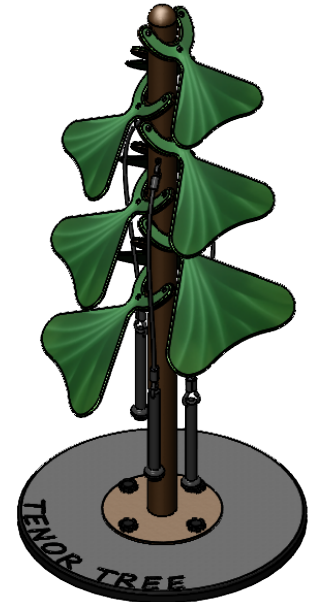
TREE-T-PM

Portable Mount, Sheet 5

Assembled Weight: 60lbs

Combined Packaged Weight: 61lbs

51.375"x25.1875"x11"

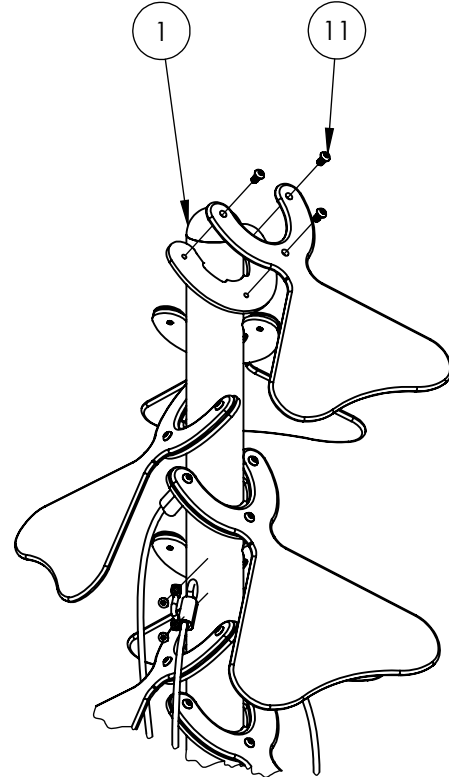
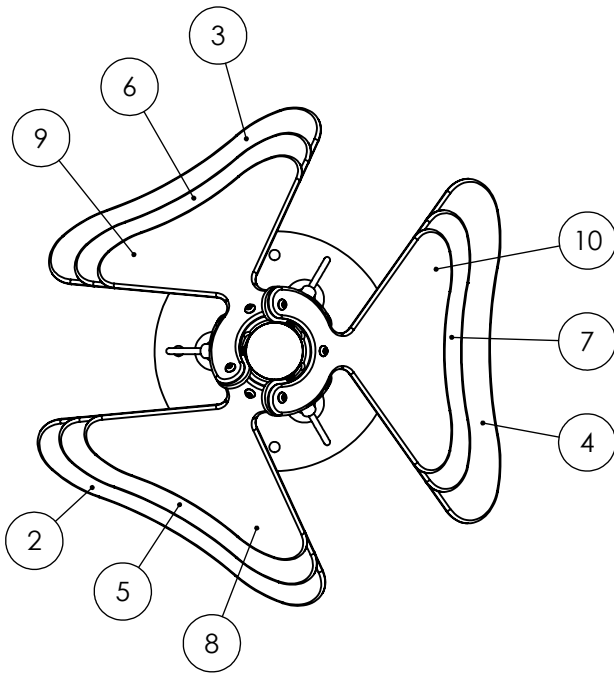


Assembly Instructions

1. Apply a drop of Loctite to the ends of the threads on each 1/4"-20 Button Head Screw.
2. With the T27 Driver fasten the Aluminum Leaves to the Trunk by driving the 1/4"-20 Button Head Screws through the holes on each Leaf and into the aligned threaded holes on the Trunk. Drive slowly to prevent stripping the screw or threaded holes.

Start at the lowest mounting plate on the Trunk, then work up by going to the next lowest mounting plate location. Each Leaf is numbered. The below *Top View* shows the order in which the Leaves should lay when properly installed.

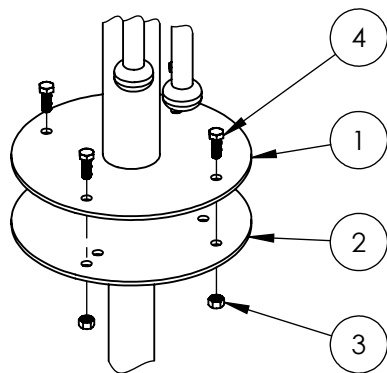
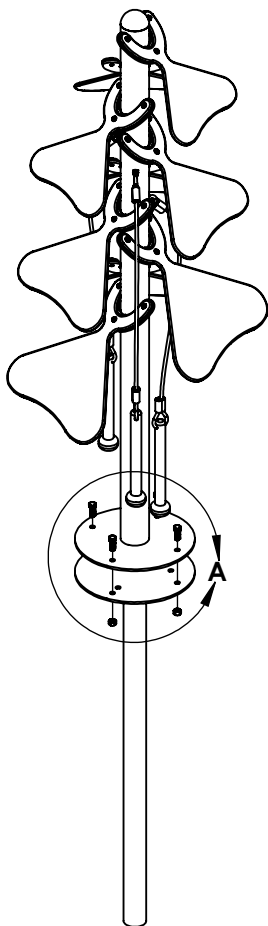
ITEM NO.	DESCRIPTION	QTY.
1	Tenor Tree - Steel Trunk (Powder-coated)	1
2	Tenor Tree - Aluminum Leaf 5 (Green) G	1
3	Tenor Tree - Aluminum Leaf 6 (Green) A	1
4	Tenor Tree - Aluminum Leaf 4 (Green) F	1
5	Tenor Tree - Aluminum Leaf 7 (Green) B	1
6	Tenor Tree - Aluminum Leaf 9 (Green) D	1 </td
7	Tenor Tree - Aluminum Leaf 8 (Green) C	1
8	Tenor Tree - Aluminum Leaf 10 (Green) E	1
9	Tenor Tree - Aluminum Leaf 12 (Green) G	1
10	Tenor Tree - Aluminum Leaf 11 (Green) F	1
11	1/4"-20 Button Head Screw, .5"lg. SS, T27 tamp	27



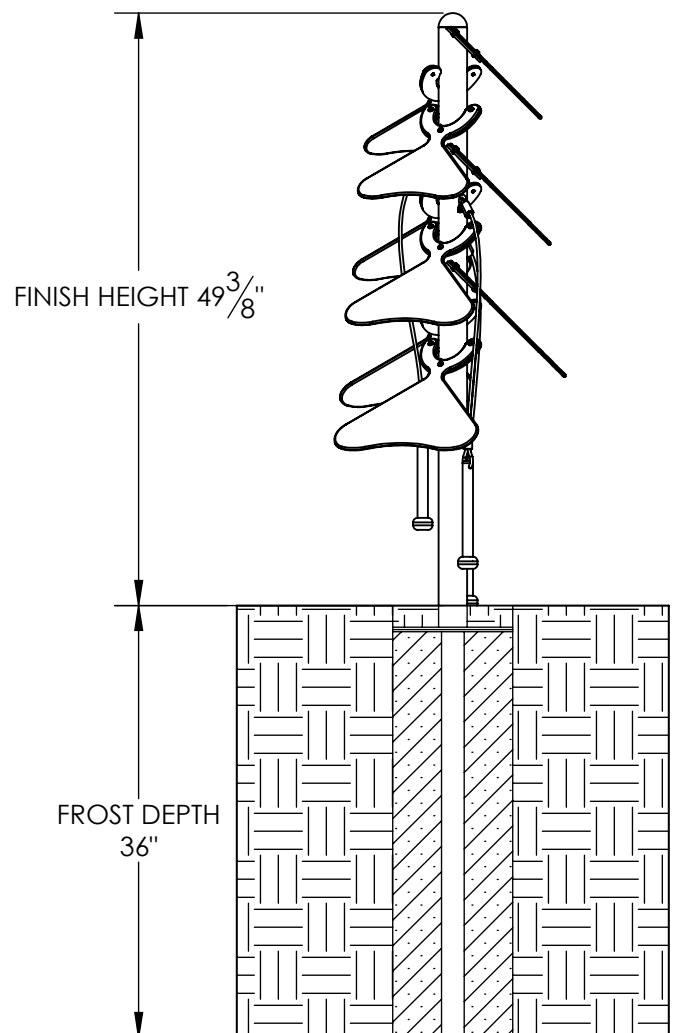
Inground Installation Instructions

1. With the remaining Loctite, apply a couple drops to the end of the threads on the 3/8"-16 Hex Head Screws.
2. Attach the Instrument Pre-Assembly to the In Ground Post Extension by aligning the holes on each component and fastening them together with the (4) 3/8" Hex Head Screws and the (4) 3/8"-16 Hex Nuts.
3. Excavate one 10" diameter hole, 36" deep, at the installation location.
4. With two people, lower Instrument with Post Extension attached into the excavated hole. Verify correct placement and levelness of the Instrument. Check for sufficient clearance around the Instrument, a 36" perimeter around the Instrument is recommended for wheelchair accessibility.
5. Last pour concrete around the In Ground Extension. If necessary, brace the Instrument to hold it rigid while the concrete cures. Leave to set according to the concrete manufacturers guidelines. Approximately (3) 80lb. bags will be needed.

ITEM NO.	DESCRIPTION	QTY.
1	Pre-Assembly - Tenor Tree Instrument	1
2	In Ground Steel Post Extension (Powder-coated)	1
3	3/8"-16 Hex Nut, SS	4
4	3/8"-16 Hex Head Screw, 1"lg. SS	4



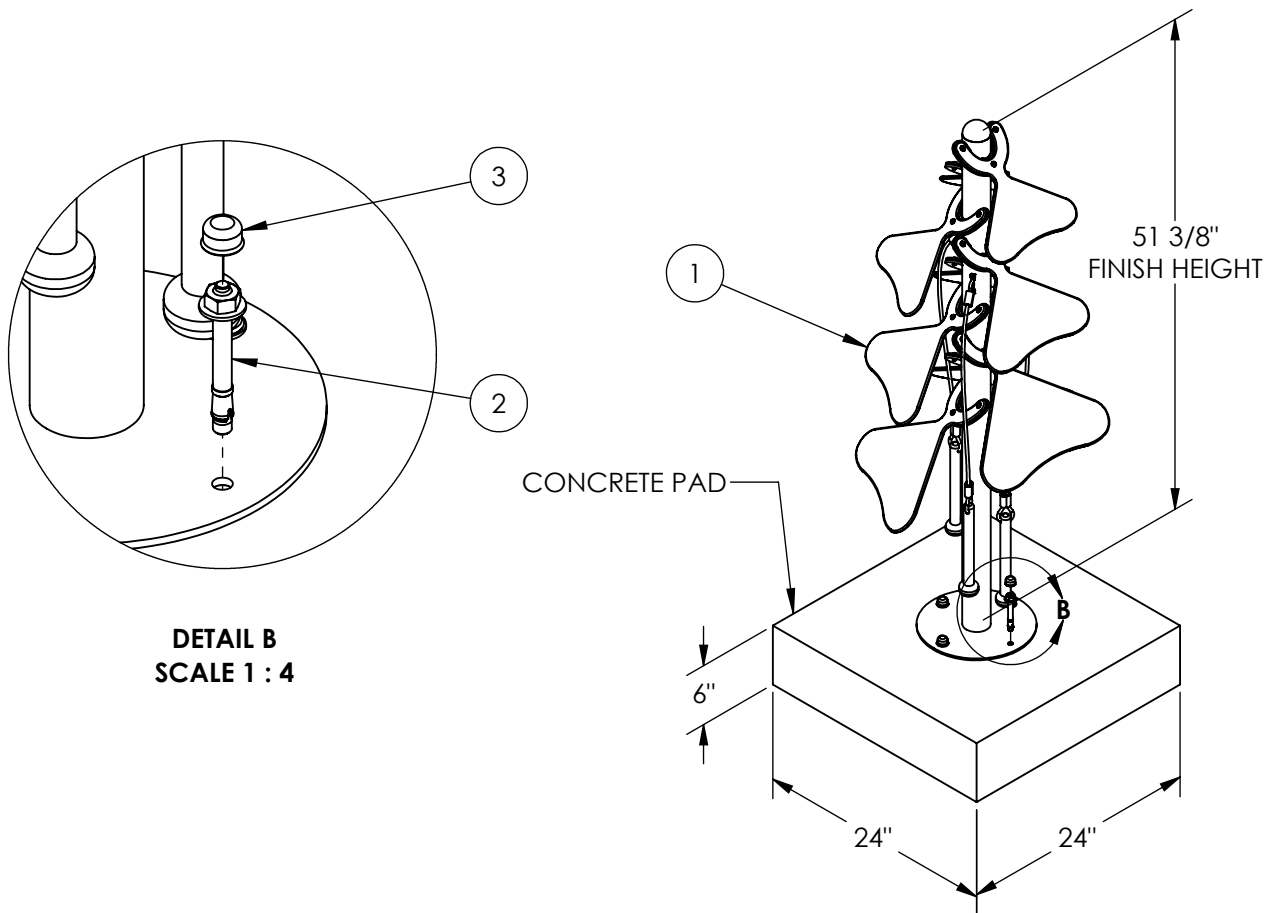
**DETAIL A
SCALE 1 : 8**



Surface Mount Installation Instructions

1. Determine installation location. Verify concrete pad is a minimum of 24" long x 24" wide x 6" thick. If the concrete pad is at an angle, steel washers are required to act as shims (Shims not provided). If there is not already an existing pad, approximately (4) 80lb. bags will be needed. Allow concrete to cure per concrete manufacturers guidelines.
2. With two people place the Instrument Assembly onto the concrete pad and mark the center of the holes on the surface mount base. After you have made your marks, set aside the Instrument in order to drill for anchor holes. With a hammer or rotary drill, drill through concrete at marked locations. Drill to a minimum depth of 4". A 3/8" masonry drill bit will be needed.
3. Place the Instrument back over the drilled out holes. Insert provided anchor bolts into aligned holes. Position anchor nut so that it is flush with the top of the bolt. Pound anchor bolts into the hole until the anchor washer is flush with the surface mount base. Tighten anchor bolts until they are snug. Cover remaining bolt sections with provided nut caps.
4. Verify the correct placement, levelness, and finished height of the Instrument. Check for sufficient clearance around the Instrument, a 36" perimeter around the Instrument is recommended for wheelchair accessibility.
5. If installing onto wet concrete, us the wet set anchor manufacturers guidelines for installation procedures.

ITEM NO.	DESCRIPTION	QTY.
1	Pre-Assembly - Tenor Tree Instrument	1
2	3/8"-16 Wedge Expansion Anchor, 3.75"lg. SS	4
3	35/64" Hex Nut Cap	4

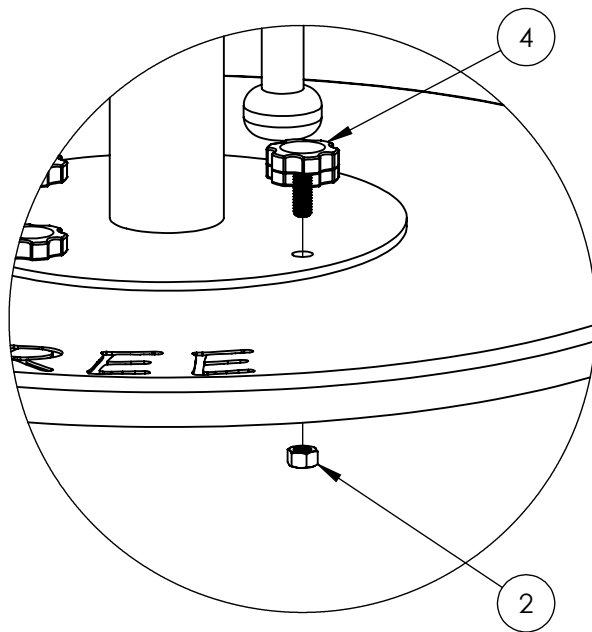


DETAIL B
SCALE 1 : 4

Portable Mount Installation Instructions

1. With two people have one situate the Instrument Assembly onto the Portable Stand and align the holes.
2. Have the second person secure the Instrument to the Portable Stand with the provided 3/8"-16 Thumb Screws. Thumb Screws should be tightened snugly to prevent any raddling during play. The 3/8"-16 Hex Nuts are pre-pressed into the Portable Stand from the Factory.

ITEM NO.	DESCRIPTION	QTY.
1	Pre-Assembly - Tenor Tree Instrument	1
2	3/8"-16 Hex Nut, SS	4
3	Tenor Tree - HDPE Portable Stand (1" Black)	1
4	3/8"-16 Thumb Screw, 1"lg. SS	4



DETAIL C
SCALE 1 : 4

