

## UP113 SUPERSONIC SPINNER

Parts List		
DESCRIPTION	QTY	PART NUMBER
HANDRAIL ASS'Y	5	100228
COVER PLATE	1	105758
SHIELD MOUNTING BRACKET	4	124511
PLATFORM ASS'Y	1	124588
BASE ASSEMBLY W/BRAKE	1	124751
SHIELD	2	127322
<b>HARDWARE COMPLETE</b>	1	303762
CORK GASKET	1	101405
FILTER VENT	1	124762
5/16" x 1" B.H.C.S.	5	811042
5/16" LOCK WASHER	5	817330
5/16" HEX NUT	5	804052
1/4" FLAT WASHER (5/8" O.D.)	6	817408
3/8" x 1" SELF TAPPING HEX HEAD BOLT	6	801850
3/8" x 1" B.H.C.S.	1	811050
3/8" x 1" CARRIAGE BOLT	20	800253
#10 x 5/8" PAN HEAD SCREW	6	816017
3/8" LOCK WASHER	30	817334
3/8" HEX NUT	20	804053
3/8" FLAT WASHER (1 1/4" O.D.)	6	817424
3/4" LOCKWASHER	4	817354
3/4" HEX NUT	8	804058
3/4" ANCHOR BOLT	4	800001
3 1/2" O.D. WASHER	1	104242

*Unless Otherwise Specified, All Units of Measure are Each*

*Items listed below Hardware Complete line are included with Hardware Complete Number*

**Warning: During Installation, Hardware And Small Parts Are Choking Hazards For Young Children. Store Unused Parts Appropriately Until Assembly Is Completed. Once Assembly Is Completed, Remove Any Unused Parts From The Play Environment And Dispose/Save Them In A Secure Location. Any bolt end protruding more than two full threads beyond the face of the nut causes risk of clothing entanglement.**

**Promptly cut-off flush, file smooth, and treat to prevent corrosion.**

**Note: Peen Tee-Nuts and Flatwashers to match radius of pipe after assembly is complete.**

**Note: Loctite (supplied by others) should be used on any non-patch hardware.**

### SPECIFICATIONS:

#### **PLATFORM ASSEMBLY:**

Platform shall be die formed of 11 gauge steel, 92" diameter with a 2" rolled under flange - braces shall be fabricated of 1 5/8" O.D. pipe. Hub shall be fabricated of 5 1/2" O.D. x .500 O.D. wall hot rolled steel with 1/4" H.R. steel plate welded in place. Platform assembly shall be an all welded construction with exception of the steel brake drive gear which is bolted in place.

#### **BASE ASSEMBLY:**

Legs shall be fabricated of 2 7/8" O.D. galvanized pipe. Axle shall be fabricated of 2 3/4" O.D. cold rolled steel. Collar shall be fabricated of 3 1/4" O.D. x 7/32" wall pipe. Mounting brackets shall be fabricated of 1/4" H.R. stock. Base shall be an all welded construction.

#### **HANDRAIL ASSEMBLY:**

Arches shall be fabricated of 1 5/16" O.D. galvanized pipe, Brackets shall be fabricated of 1/4" x 1 1/2" galvanized flat steel. Handrail Assembly shall be an all welded construction.

Issued/Revised: 7/3/2019

## UP113 SUPERSONIC SPINNER

### **BRAKE ASSEMBLY:**

Shall consist of high torque, low speed fluid motor; flow control hydraulic valves; push back hose with synthetic rubber liner, textile braid reinforcement, and synthetic rubber cover; pump gear fabricated of steel with 2" O.D. drive collar.

### **SHIELD HALVES:**

Shall be molded polyethylene with 3/16" nominal thickness.

### **SHIELD MOUNTING BRACKET:**

Shall be fabricated of 3/16" H.R. flat, drilled and tapped to receive 3/8" bolts.

### **FINISH:**

Platform shall have a powder coat finish. Handrails and base shall be painted aluminum.

### **HARDWARE:**

All nuts, bolts, screws, inserts, and lockwashers used in the assembly of all play equipment, shall be stainless steel, yellow dichromate plated steel, blue-coat plated steel, mechanically galvanized or powder coated/yellow dichromate plated steel. All primary fasteners shall be 300 series stainless steel. Fasteners with yellow dichromate treatment have an electro deposited, 99.9% pure zinc substrate applied from a specifically formulated solution sealed with a yellow dichromate top coat designed to work in conjunction with the zinc plating. Yellow dichromate has a 320% longer life to white corrosion and 275% longer to red corrosion than does hot-dip galvanizing.

### **INSTALLATION INSTRUCTIONS:**

**NOTE:** THIS SPECIFICATION BOOKLET SHOULD BE KEPT IN CUSTOMER'S FILE FOR FUTURE REFERENCE.

**WARNING:** Remove shipping plug from top of reservoir cap and replace it with the filter vent for ventilation.

**WARNING:** Do not attempt to adjust hydraulic valves. These have been pre-set and ready to use. Any tampering could void the warranty.

**WARNING:** Fluid level should be checked occasionally to assure sufficient amount of fluid is being circulated through system. Never allow fluid level to recede more than 0'-1" [25.4 cm] below top of reservoir.

**NOTE:** Do not over tighten bolts. To over tighten may cause buckling or dimpling of some parts.

**NOTE:** Read installation instructions thoroughly before starting assembly. Bracing material may be required during assembly.

**NOTE:** Do not tighten any nuts, bolts, rods, etc. until the unit is completely assembled.

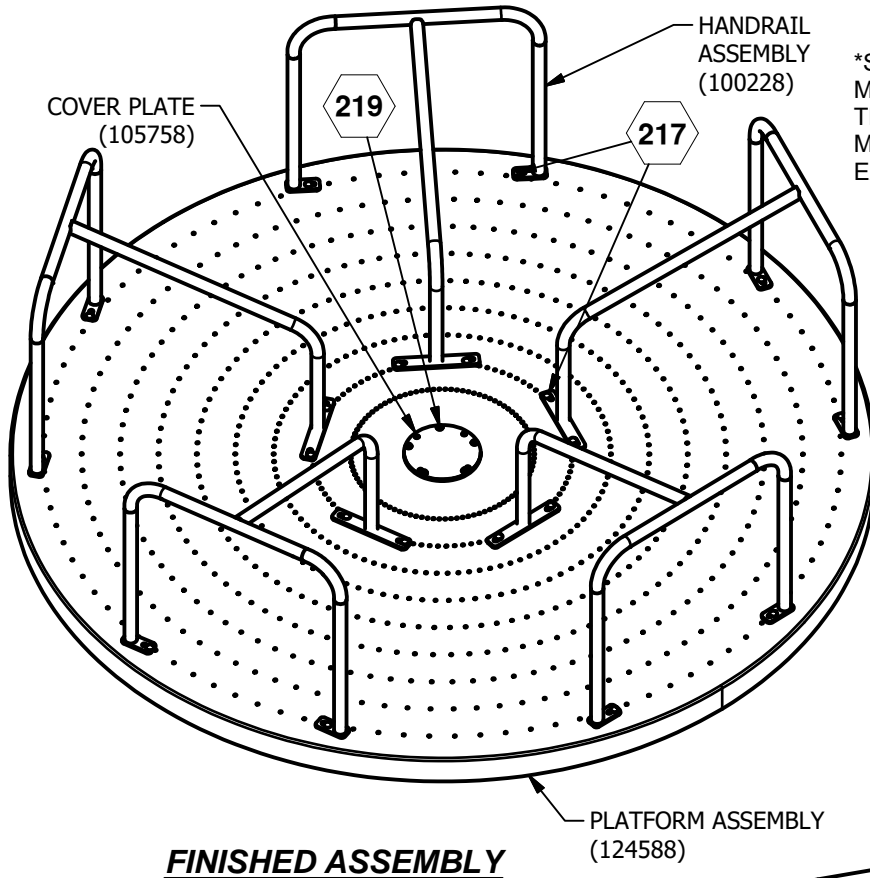
1. Dig hole for base per determined footing. See side views. **NOTE:** Due to extremes in weather and soil conditions, hole sizes may have to be increased to meet local conditions.
2. Place first nut in one of the four anchor bolts, so that 1 1/4" of thread is left. Insert the anchor bolts through the shield mounting brackets and the base. Secure with second nut and lockwasher. See Detail 806. **NOTE:** Use loctite (supplied by others) on all bolts.
3. Fill hole with concrete. Concrete should be stiff enough to support shield mounting brackets while concrete is still wet. **NOTE:** Do not allow excess concrete to build up or spill around the footing hole.
4. Position base on concrete. Force anchor bolts down into cement until shield mounting brackets rest against concrete. Level base.
5. After concrete has cured, position shield halves on base assembly. Be sure that mounting holes in the shield and shield mounting brackets are aligned properly when shield is centered about the axle. If necessary loosen and adjust mounting brackets to achieve alignment. Apply loctite to anchor bolts and retighten after adjustment is finished. Remove shield halves.
6. Bolt handrails to platform using 3/8" x 1" carriage bolts, 3/8" lockwashers, and 3/8" hex nuts (typical 20 places). See Detail 217.
7. After concrete has hardened 48 hours, with sufficient manpower, lift the platform onto the axle. **NOTE:** Be sure pump gear and whirl gear are aligned in position to keep gears from binding. It may be helpful to rotate platform gently back and forth as it is lowered into position. Bolt 3 1/2" O.D. washer to axle using 3/8" x 1" B.H.C.S. See Installation Drawings and Detail 218.
8. **Very Important...** Place special 8" O.D. cork gasket over center opening, align holes in cork gasket with holes in whirl deck. Bolt round cover plate in place with 5/16" x 1" B.H.C.S., 5/16" lockwashers, and 5/16" hex nuts. Do not overtighten. See Detail 219.
9. Secure shield to shield mounting brackets using 3/8" x 1" self tapping hex head bolt and 3/8" Flat Washer (1 1/4" O.D.). See Detail 805. **NOTE:** Please be sure shipping plug has been replaced with the filter vent. See shield top view.
10. Attach shields together using #10 x 5/8" Pan Head Screw and 1/4" Flat Washer. See Detail 220.

## UP113 SUPERSONIC SPINNER

### **MAINTENANCE PROCEDURE:**

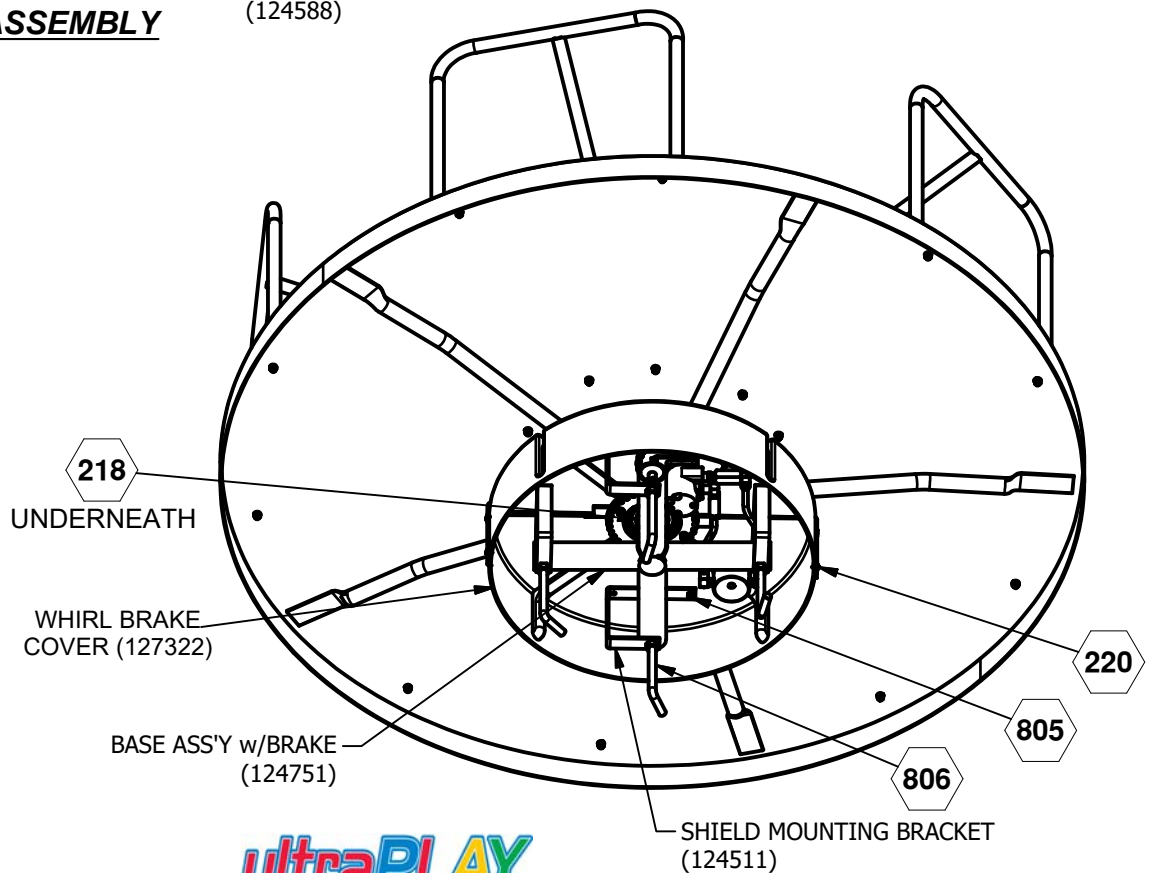
Periodically check hardware for tightness, and tighten as necessary. Always check all parts for breakage or wear, and immediately put equipment out of service until any faulty parts found are repaired or replaced. Also Check all metal parts for rust, paint loss and touch-up if necessary with paint. Check for welded areas and verify integrity. Check periodically resilient surfacing for appropriate depth and remove extraneous materials that could cause injury, infection, or disease. Maintain detailed installation, inspection, maintenance, and repair records for each public-use playground equipment.

## UP113 SUPERSONIC SPINNER

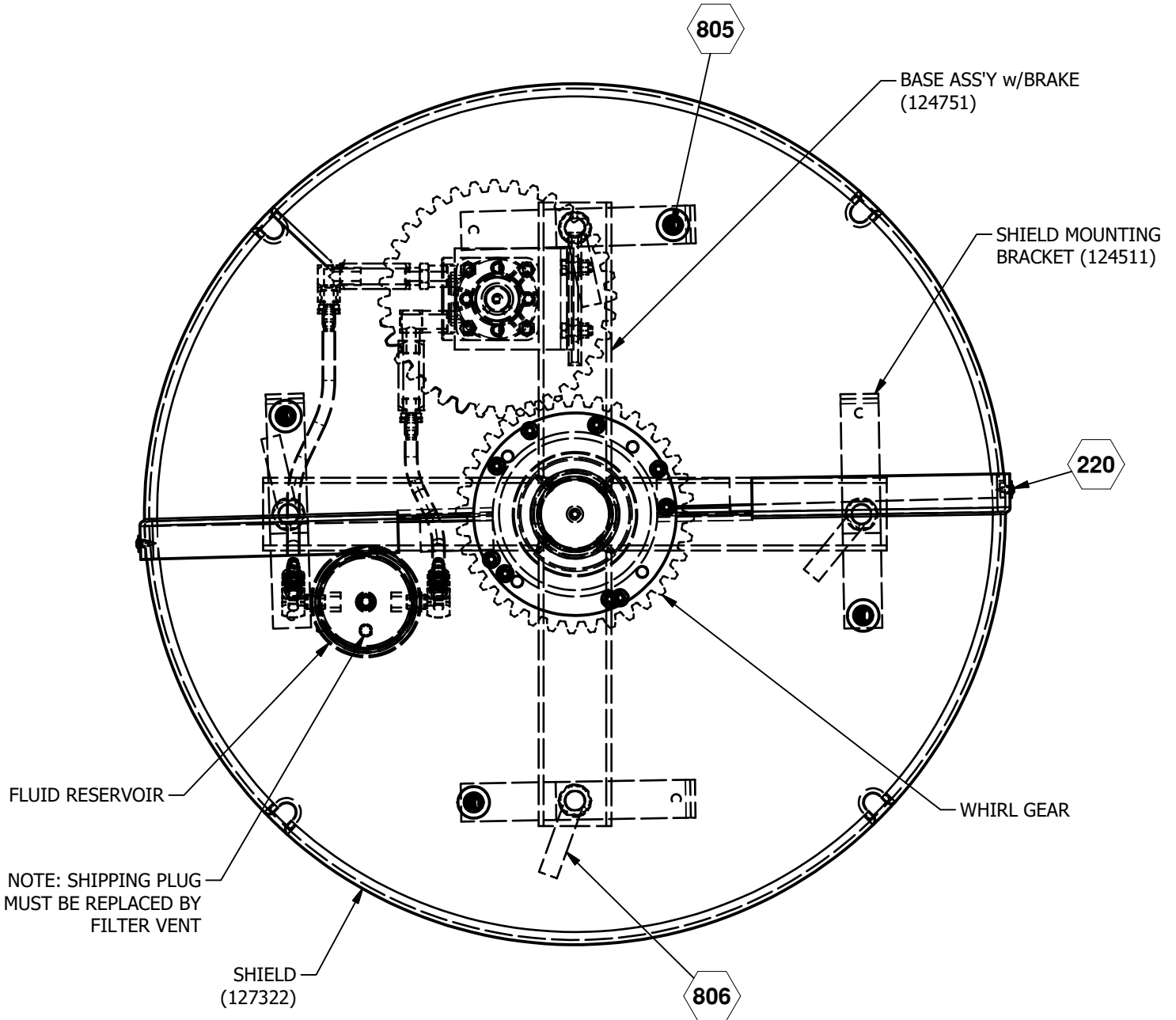


**FINISHED ASSEMBLY**

\*SHOCK ABSORBING PROPERTIES OF SURFACING MATERIALS VARY. IF YOU DETERMINE THAT LESS THAN 1'-0" [30.48 CM] OF SURFACING IS REQUIRED, MAKE UP THE DIFFERENCE IN ELEVATION WITH EARTH, BEFORE APPLYING SURFACING.

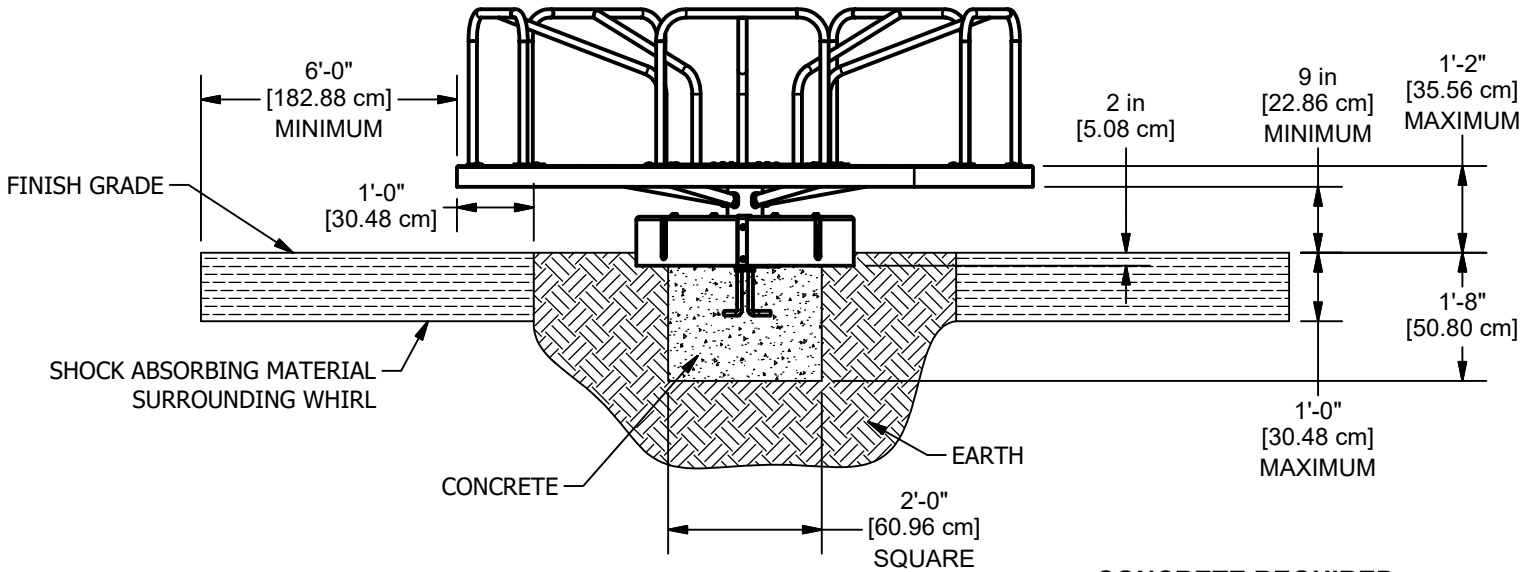


## UP113 SUPERSONIC SPINNER



**SHIELD TOP VIEW**

## UP113 SUPERSONIC SPINNER

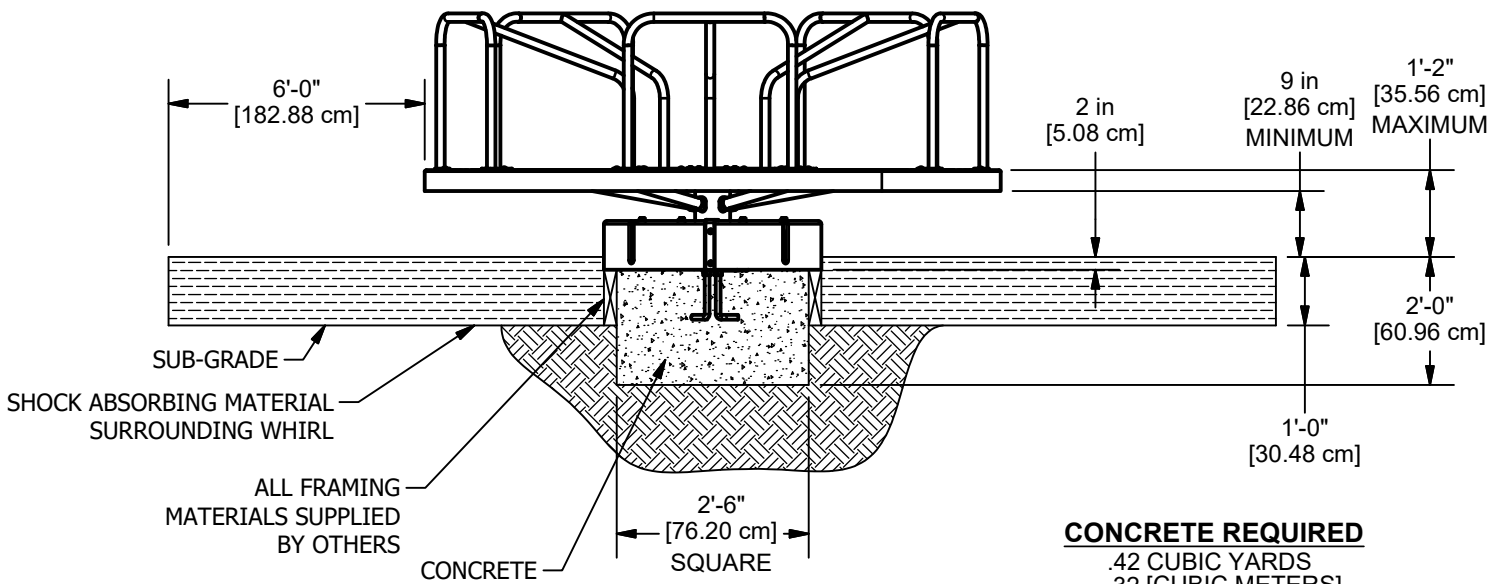


**CONCRETE REQUIRED**

.22 CUBIC YARDS  
.17 [CUBIC METERS]

**NOTES:**

- \*SUGGESTED MINIMUM CONCRETE RATING: 3000 PSI.
- \*HOLE DEPTHS INDICATED ARE MEASURED FROM THE FINISH SURFACE. SEE GROUND DETAIL. ALL FOOTING DIMENSIONS ARE BASED ON LEVEL FINISHED SURFACE.

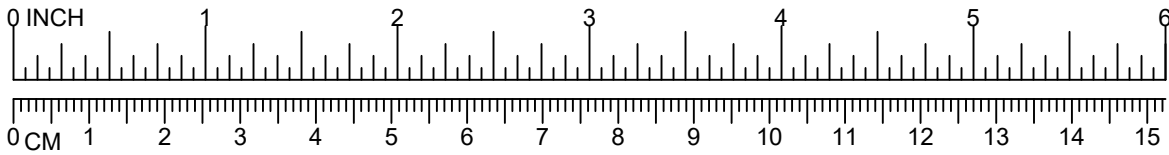


**CONCRETE REQUIRED**

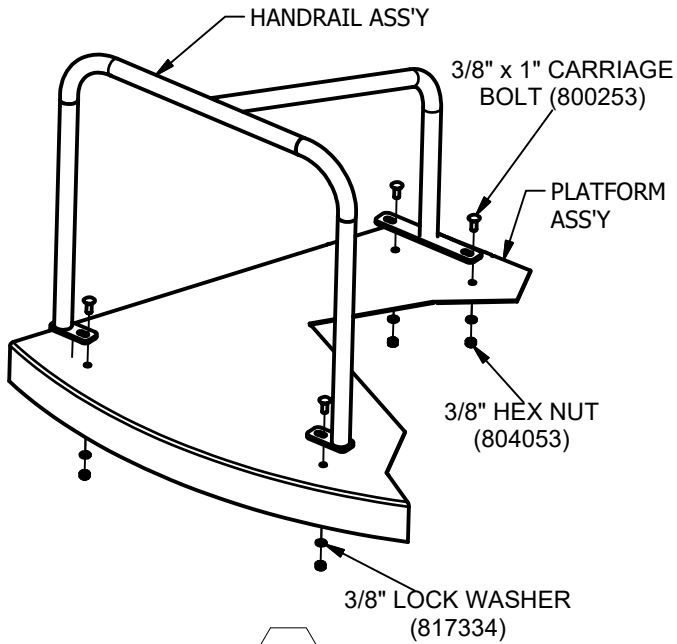
.42 CUBIC YARDS  
.32 [CUBIC METERS]

Issued/Revised: 7/3/2019

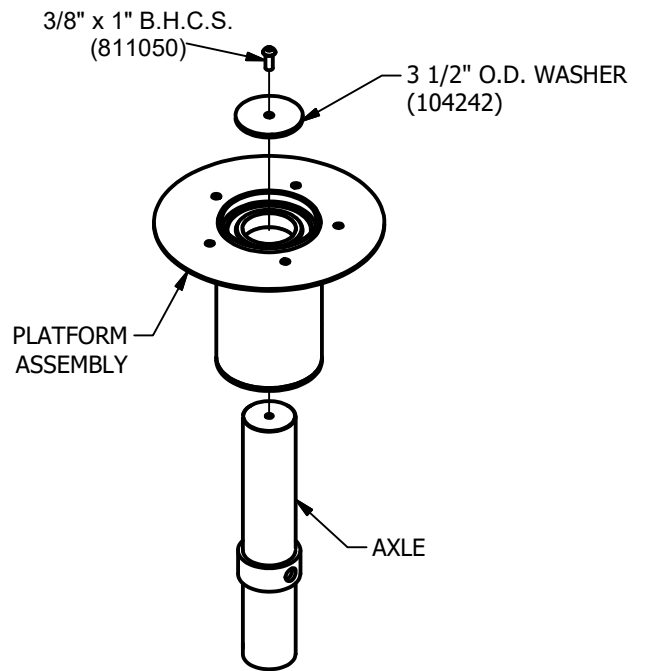
ALTERNATIVE SIDE VIEW  
(FORMED UP ABOVE SUB-GRADE)



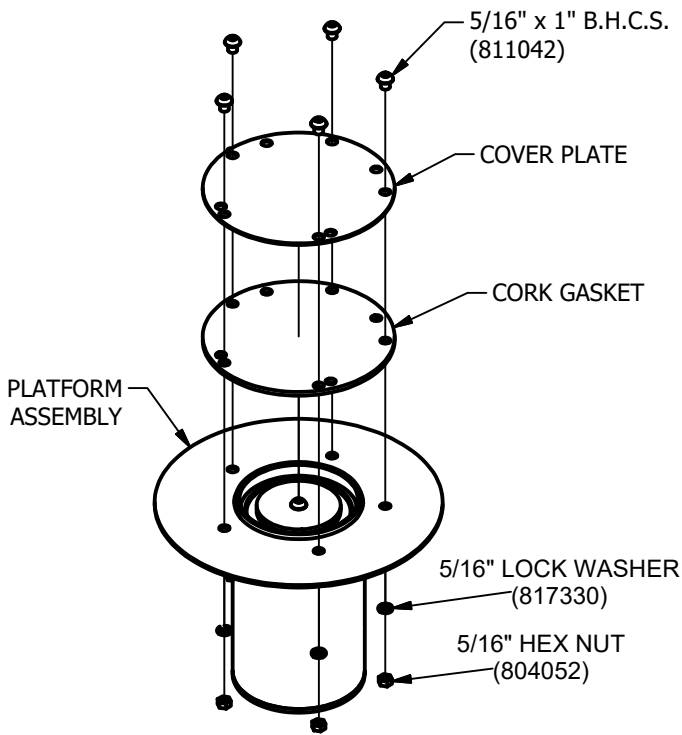
# UP113 SUPERSONIC SPINNER



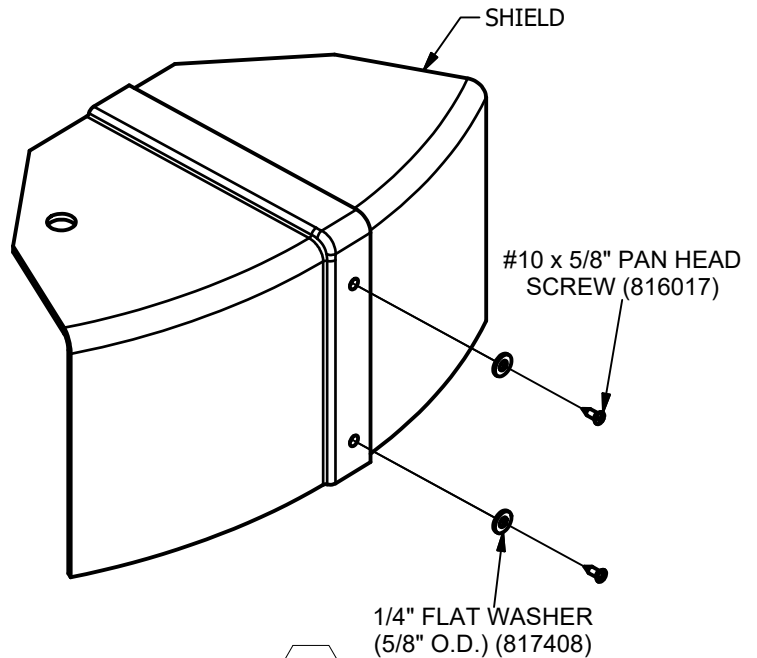
217



218

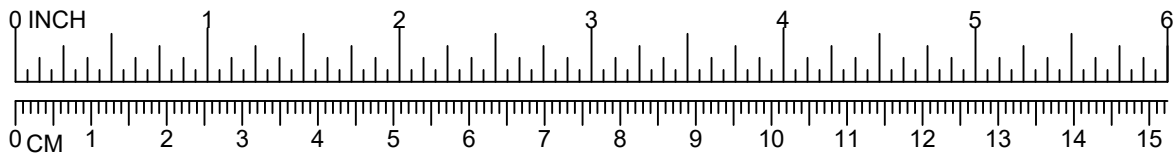


219



220





## UP113 SUPERSONIC SPINNER

