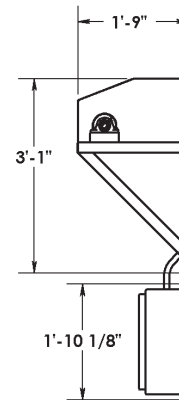
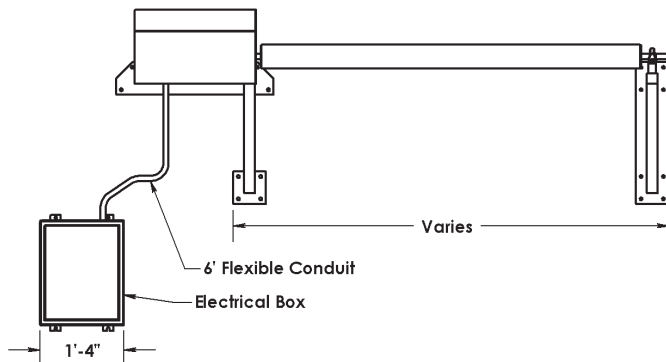
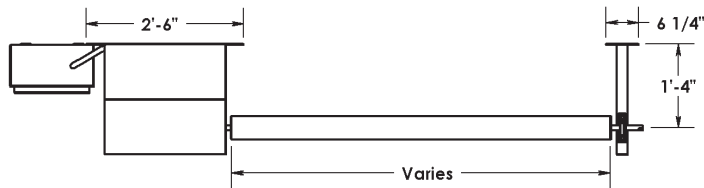
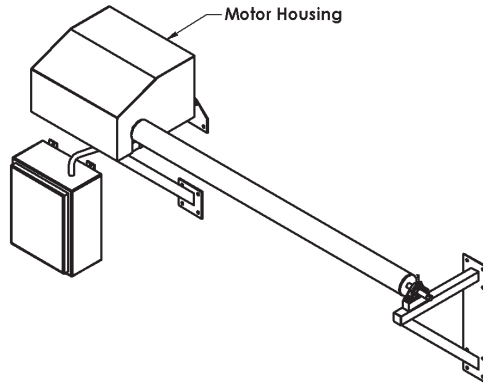


## THERMAL-KING® SERIES MODEL - BLACKFOOT II



- APPROVED
- REVISE AND RESUBMIT
- APPROVED AS CORRECTED
- REJECTED
- SUBMIT SPECIFIED ITEM

Approval is only for conformance with the design concept of the Project and compliance with the information given in the Contract Documents. Contractor is responsible for dimensions to be confirmed and correlated at the job site for information that pertains solely to the fabrication process or to techniques of construction, and for coordination of the work of all trades.

Signature \_\_\_\_\_ Date \_\_\_\_\_

*\*Note: Drawings not to scale. Specifications are nominal and are subject to change.*



7100 Spectrum Lane  
Missoula, Montana 59808  
406.542.9781 • 800.791.8056  
Fax: 406.542.1158  
www.spectrumproducts.com

### ENGINEERING DATA

Product:	Blackfoot II
Product #:	50200
Date:	11/2006
Data Sheet #:	SA 50200.1106