

Motion Trek 400 Deluxe Part Number 163145-DLX

The lift shall be designed for use on aboveground or in-ground swimming pools and/or spas and shall accommodate installation at a range of 6" - 28" from the pool wall to centerline of anchor. The lift shall be user-operated, battery powered - requiring no more than a 24-VDC, rechargeable, capable of transferring (rotating) payload over a wall height of 10" (without footrest), and shall be rated for a 400 lb. load capacity. The lift shall be designed in accordance with all ADAAG guidelines.

The assisted access lift shall consist of the following components:

Linear Actuator

The battery-powered ram shall bolt to the lift superstructure and shall have a maximum in push thrust of 10000 N. The driver shall be a permanent magnet motor, 24-VDC. The unit shall have built in limit switches, shall operate at 60-db noise level or less. The unit shall operate with force in the push direction only.

Rotational Actuator

The 24-VDC rotational motor geared drive system allows for continuous mast rotation in either direction (360o).

Operating Controls and Power Source

Wired Control handset must be operable from pool or deck and shall be designed for ease of use. Wired Control handset shall be of molded plastic, and be sealed to IP67 to prevent water damage. Control buttons for up, down, right, and left directional control shall be provided. Lift control system shall be fitted with an emergency stop.

The power source is to be a 24-VDC rechargeable battery. A battery charger, wall current to charge, with mounting bracket and electrical power cord, for remote installation, will be provided with the lift.

Lift Superstructure

The boom arm shall be constructed of 1.90" O.D. x 1.50" I.D., 304L stainless steel tube. The mast arm shall be constructed of 2.375" O.D. x 2.067" I.D. 304L stainless steel tube.

Seat Assembly

The seat shall be constructed of a 304L stainless steel frame attached to a polymer seat assembly. This assembly shall be attached to the lift superstructure by a 1.9" x 0.145" 304L stainless steel tube.

Armrest

Each lift shall include (2) fold down armrests constructed of 1"x.120" 304L stainless steel tube. Each armrest shall be provided with a 6" black vinyl covering.

Headrest

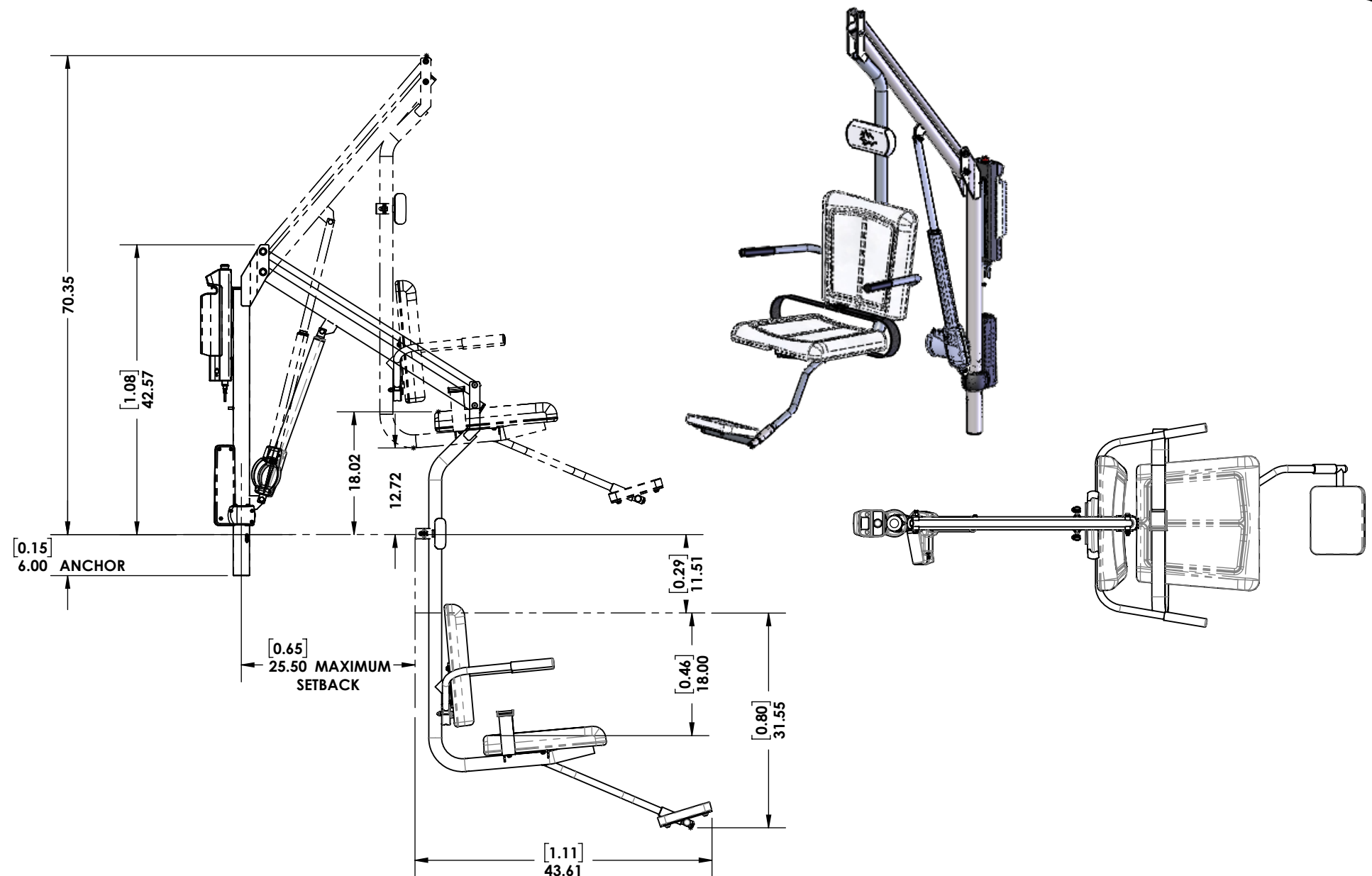
A foam headrest shall be included with each lift. Each headrest includes 304L stainless steel mounting brackets and hardware.

Footrest

A vertically self-adjusting, flip up footrest is provided.

Warranty

Two year limited warranty.



SETBACK - WATER DRAFT GUIDE														
SETBACK - W.D.	0" W.D.	1" W.D.	2" W.D.	3" W.D.	4" W.D.	5" W.D.	6" W.D.	7" W.D.	8" W.D.	9" W.D.	10" W.D.	11" W.D.	12" W.D.	13" W.D.
6" - 23" SETBACK	X	X	X	X	X	X	X	X	X	X	X	X	X	X
24" SETBACK	X	X	X	X	X	X	X	X	X	X	X	X	X	
25" SETBACK	X	X	X	X	X	X	X	X	X	X	X	X		
26" SETBACK	X	X	X	X	X	X	X	X	X	X				
27" SETBACK	X	X	X	X	X	X	X							
28" SETBACK	X	X	X	X										



ENGINEERING DATA

PRODUCT:	MOTION TREK 400 DLX -			
MODEL #:	163145-DLX	CATALOG #:		REVISION: B
MATERIAL:	304L STAINLESS STEEL			
FINISH #:	PASSIVATE IAW ASTM A967			

NOTE: DIMENSIONS VARY WITH SPECIFIC APPLICATIONS. SPECIFICATIONS ARE NOMINAL, AND ARE SUBJECT TO CHANGE. PLEASE CONTACT SPECTRUM AQUATICS FOR CUSTOM APPLICATIONS

- 400 LB LIFTING CAPACITY • USER-OPERATED • BATTERY POWERED CAPABLE OF TRANSFERRING OVER A WALL HEIGHT OF 10" • WIRED CONTROL HANDSET OPERABLE FROM POOL OR DECK
- ADJUSTABLE FOOTREST • ACCOMMODATES SETBACK OF 6" TO 28" AND WATER DRAFT UP TO 13"

A PLAYCORE Company
 7100 Spectrum Lane Missoula, Montana 59808
 800.791.8056 www.spectrumaquatics.com