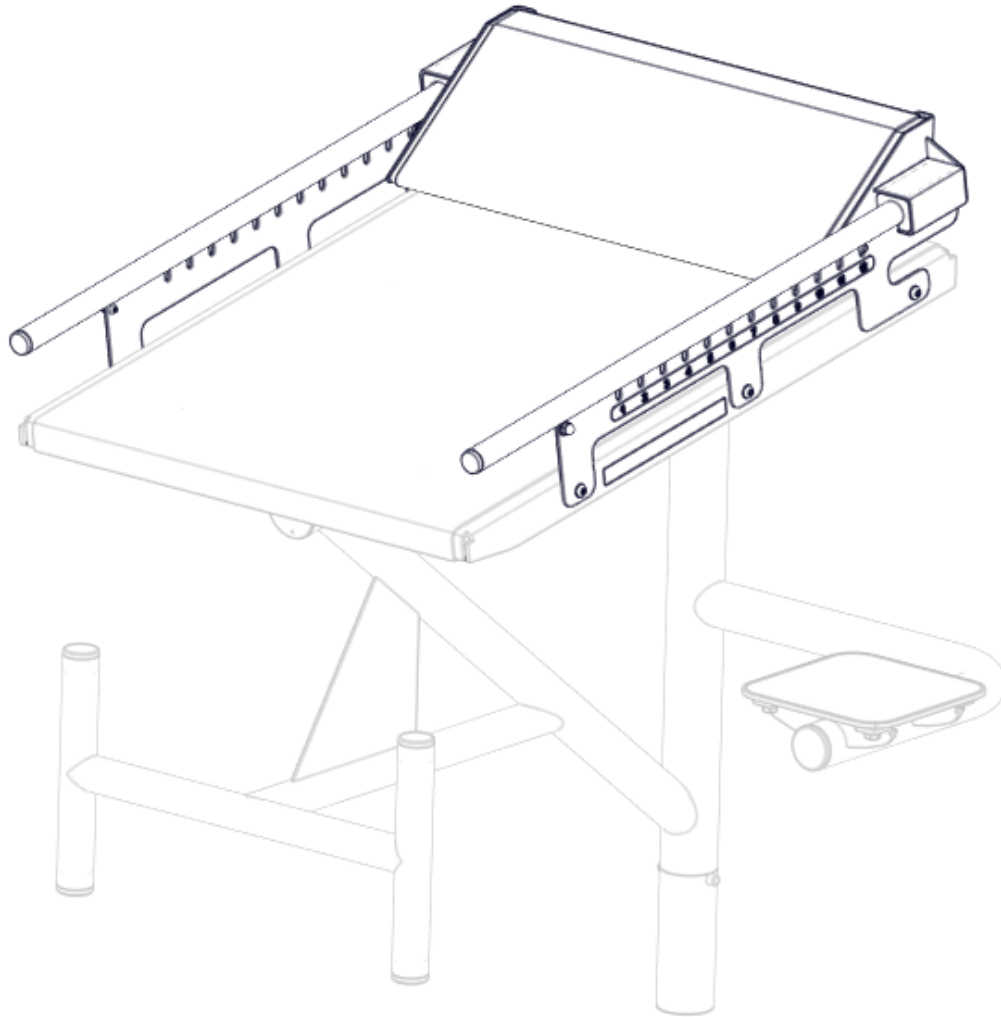


RECORD BREAKER TO XCELLERATOR UPGRADE



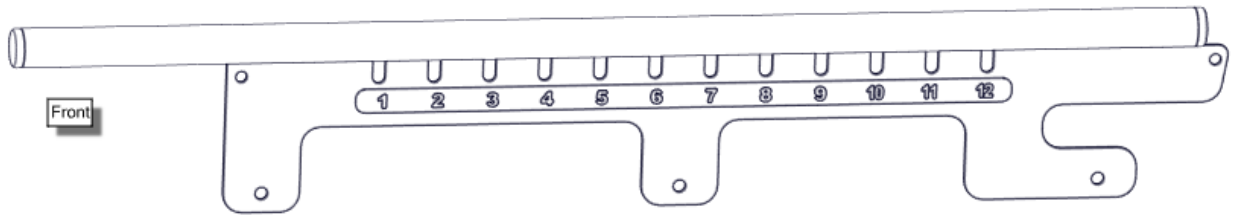
SPECTRUM[®]
Aquatics
A **PLAYCORE** Company

7100 Spectrum Lane | Missoula MT 59808 | 800.791.8056 | www.spectrumproducts.com

Assembly Instruction

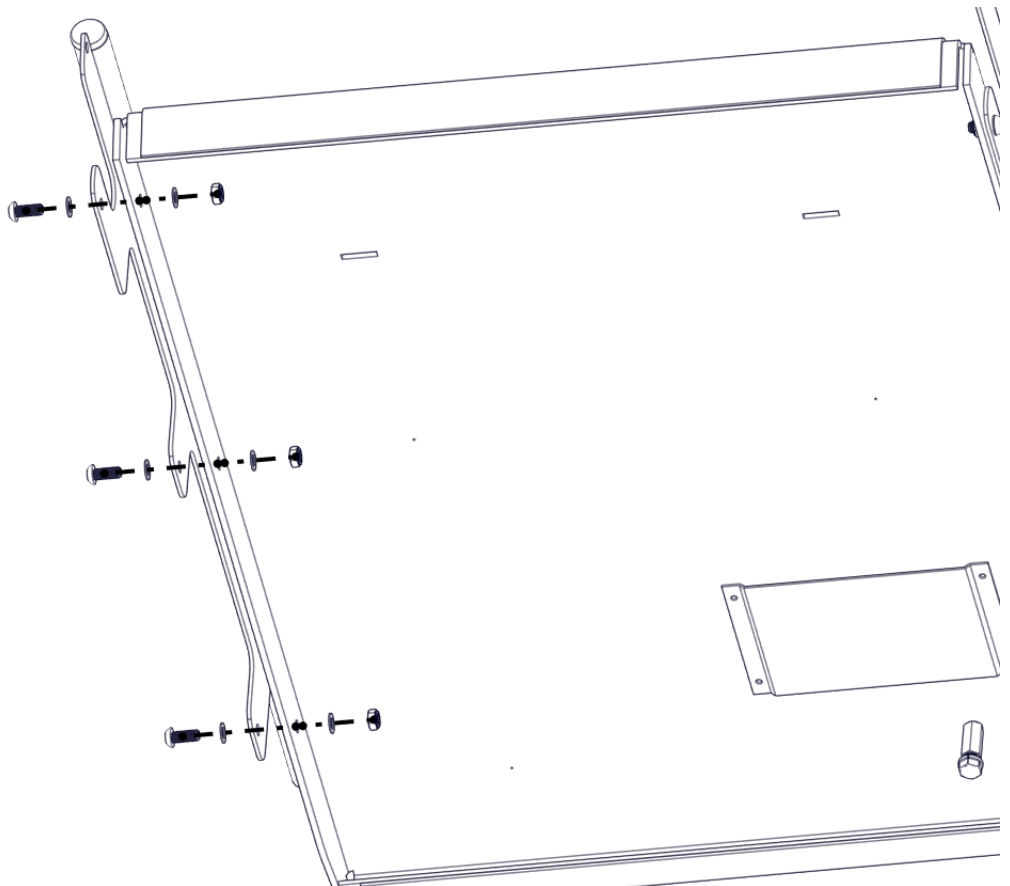
Tools Required:

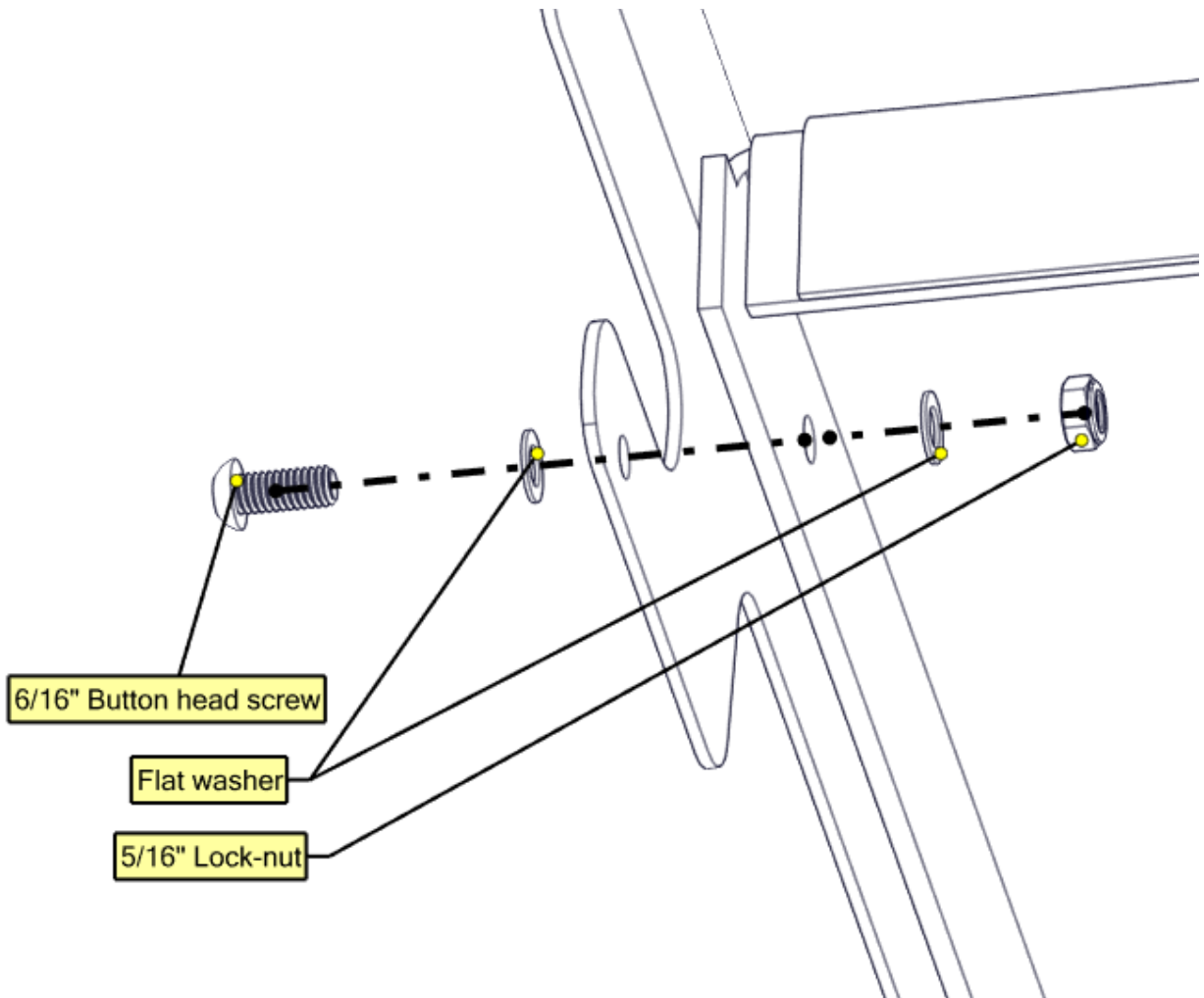
- (1) ½" wrench
- (1) 3/16" Hex Key



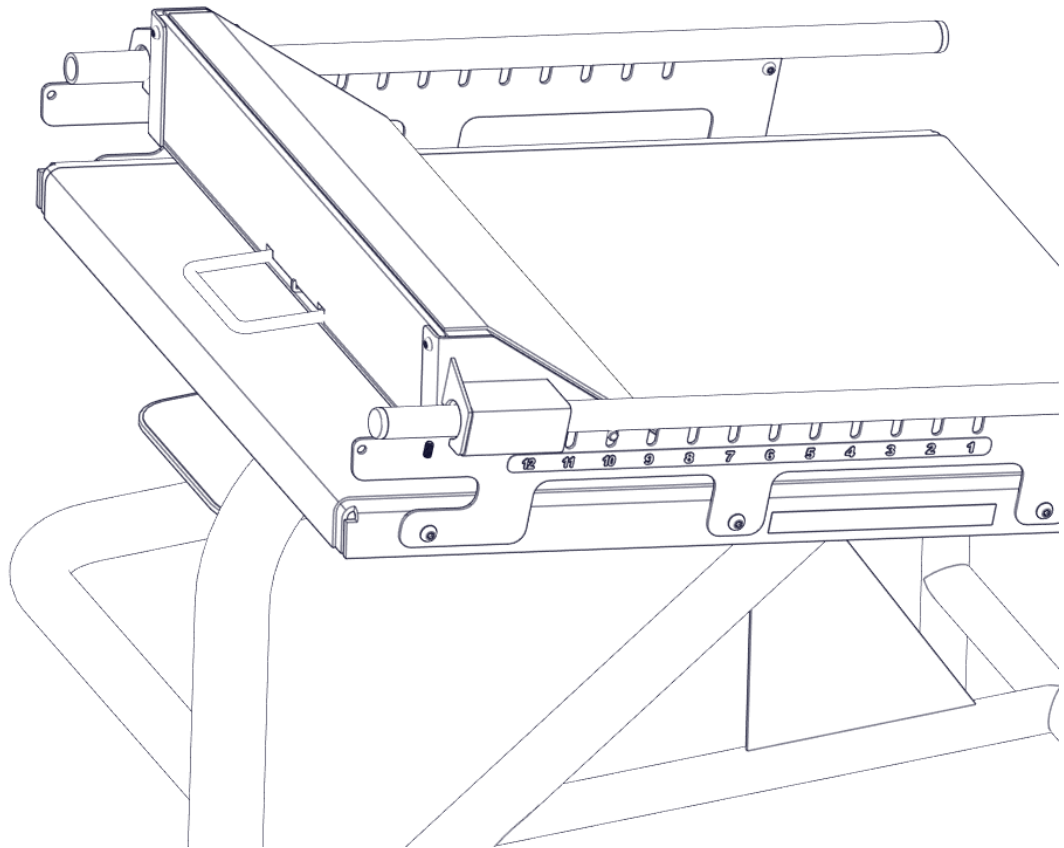
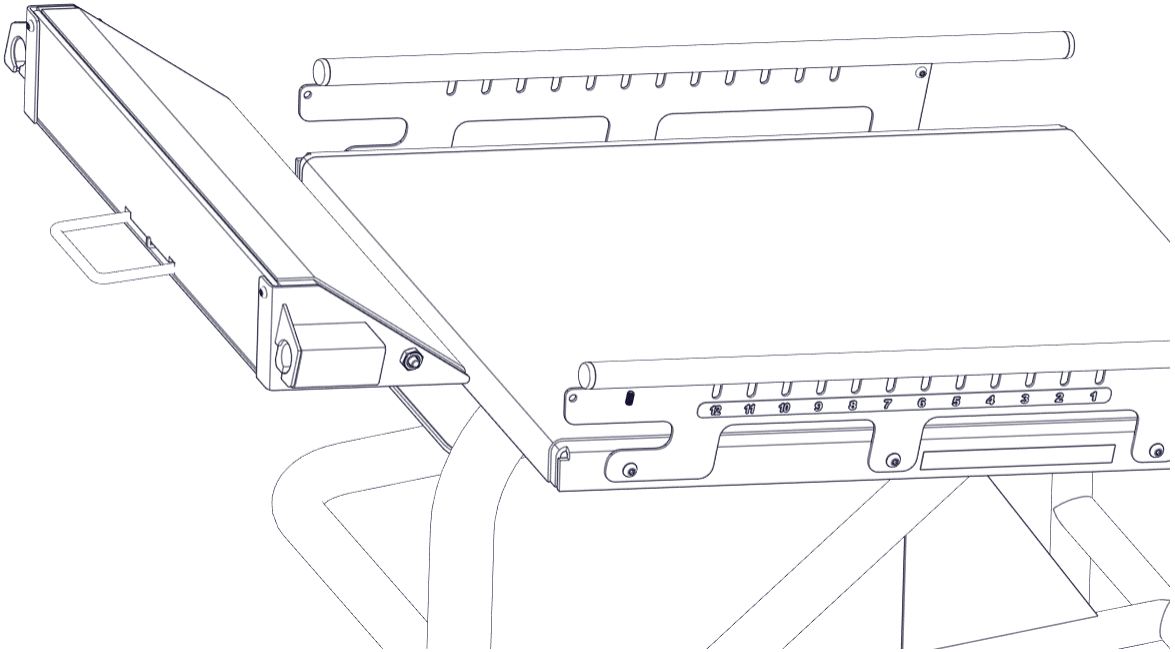
XCELLERATOR SIDE RAILS

1. On each side of the starting block affix (1)XCELLERATOR side rail as shown in the following figures.

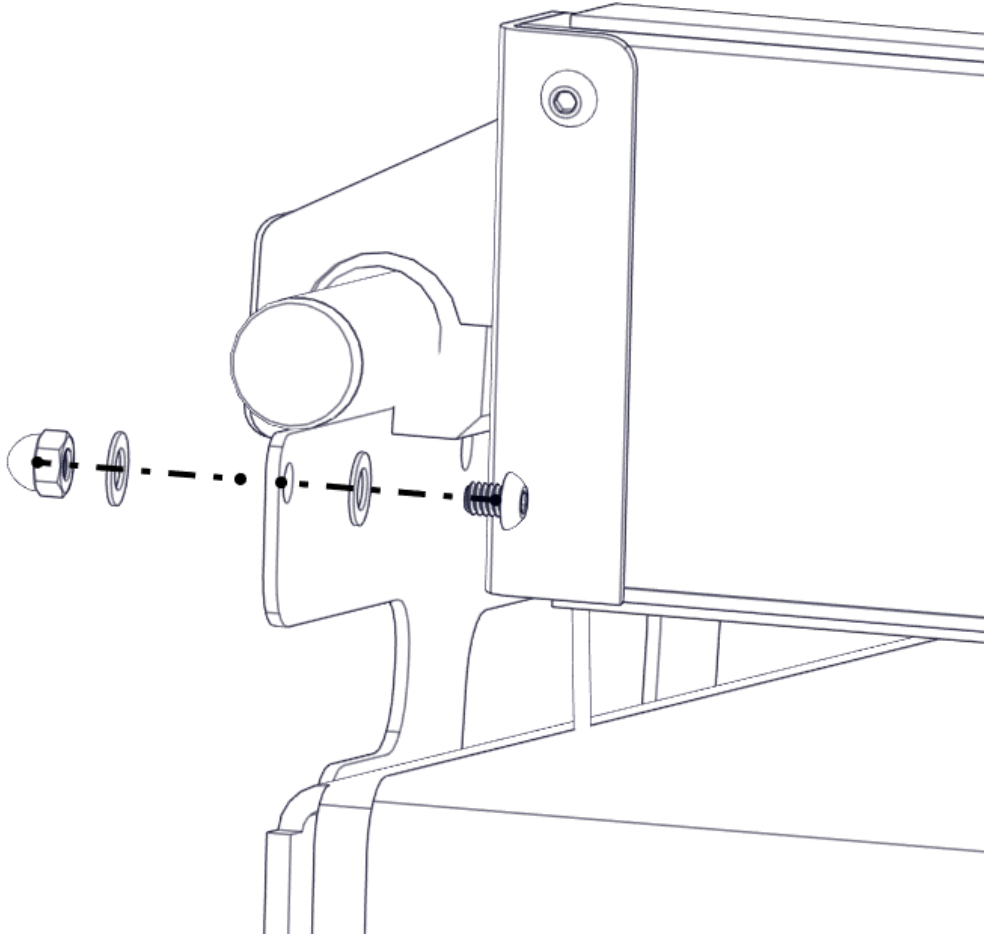




2. With release handle pulled, slide starting block wedge onto side rails as shown.



3. Install blocking nut and bold on side rails



Care and Maintenance

The following should be performed periodically to ensure safe and dependable use.

1. Remove any discoloration with a 3M scratch pad (stainless steel components only). Wipe clean with a sponge dampened with Spectra Clean. Repeat these steps several times to passivate the stainless steel.
2. Check all fasteners and connections and make sure they are snug.

Part Replacement & Troubleshooting

Please contact your local distributor or Spectrum Customer Service to order parts. 406.532.6321

