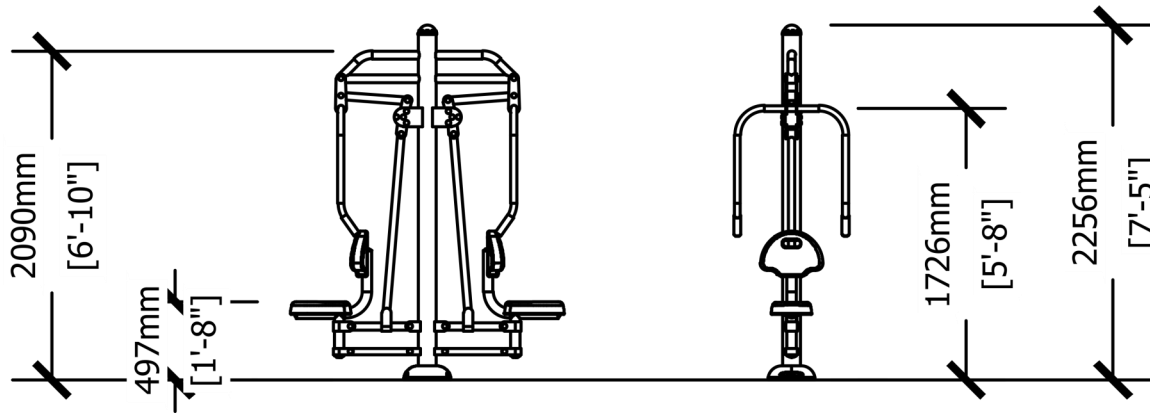
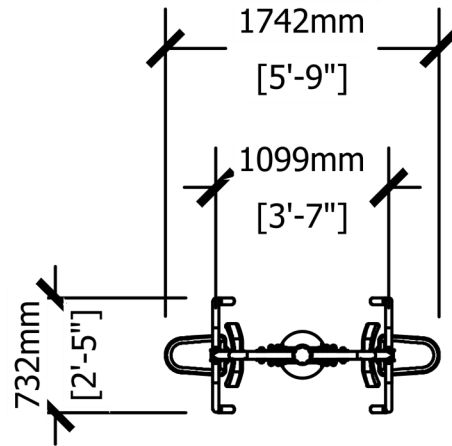


Specifications:



MAIN FRAME: Welded assembly fabricated from 13 & 14 gauge galvanized steel tubing and hot rolled flat steel. Frame is coated with custom formula of TGIC polyester powder coating in conformance with the specifications outlined herein, after fabrication.

END CAPS: 4.5" OD and larger shall be cast aluminum, powder coated to match frame. Smaller end caps shall be injection molded high density polyethylene. All end caps are factory installed.

Bolt Caps, Bolt Guards, and Foot Shrouds: Injection molded high density polyethylene.

FOOT PADS: (where applicable) shall be cast aluminum.

HARDWARE: All nuts, bolts, screws, and lock washers used in the assembly shall be stainless steel, yellow dichromate plated steel, blue-coat plated steel, mechanically galvanized or powder coated/ yellow dichromate plated steel. All primary fasteners shall be 304 alloy stainless steel. Fasteners with yellow dichromate treatment have an electro-deposited, 99.9% pure zinc substrate applied from a specially formulated solution sealed with a yellow dichromate top coat designed to work in conjunction with the zinc plating.

Bolt Caps / Bolt Guards and foot shrouds are injection molded plastic. Foot Pads are cast aluminum 383 alloy with powder coat finish.

POWDER COATING: Powder-coat shall be an electrostatically applied custom formula of TGIC polyester powder. All components will be free of sharp edges and excess weld spatter and shall be cleaned in a multi stage bath system including a rust inhibitor, and a sealer to prevent flash rusting before coating. The coating shall have a super tough finish with maximum exterior durability and will have superior adhesion characteristics. Typical characteristics are: 3.0 - 5.0 mil thickness and oven cured between 375 to 425 degrees Fahrenheit. Pencil Hardness H (ASTM D-3363), Impact (ASTM D-2794-69), Wedge Bend (ASTM D-522-68), Adhesion (Cross Hatch ASTM D-3359 & Knife Scratch ASTM D-2197), Environmental (Stain Resistance ASTM D-1308, Humidity ASTM D 2247 - 87, Salt Spray ASTM B-117 & Fadometer 300 hrs with no loss of gloss), Oven-bake Stability 100% at 400 degrees Fahrenheit."