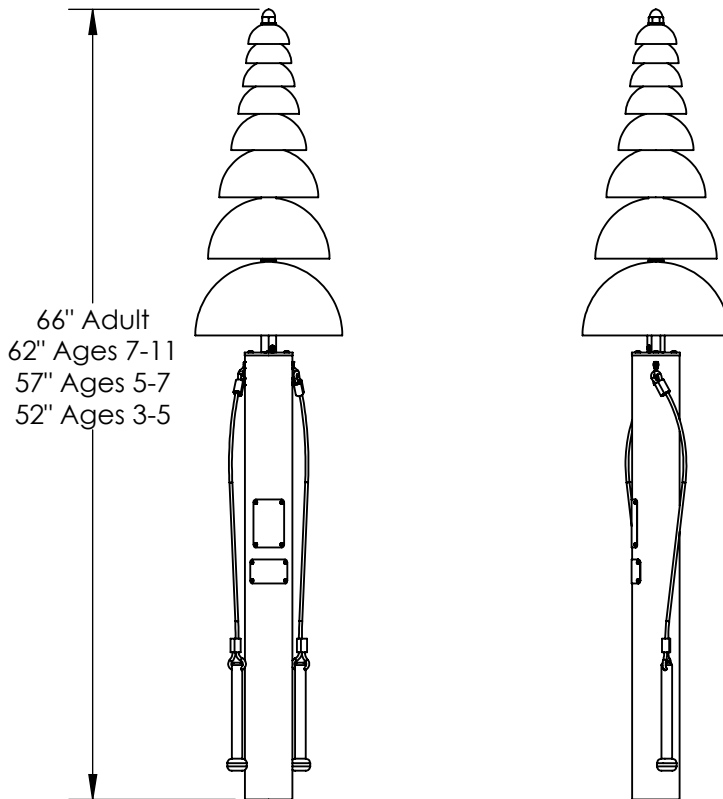
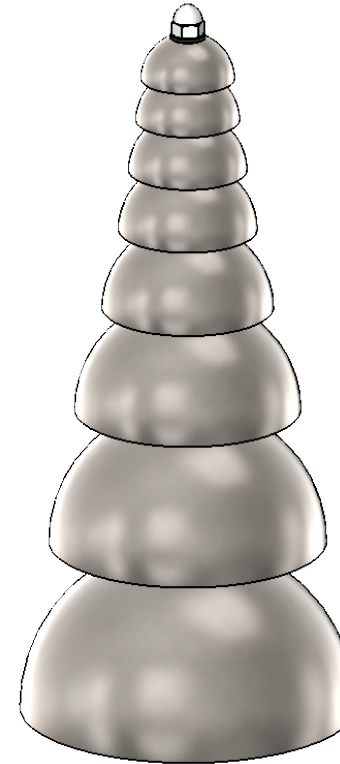
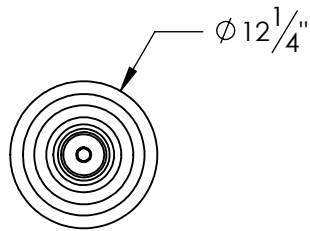


PAGODA BELLS INSTALLATION GUIDE



Main Features:

- Stainless Steel Bells
- Stainless Steel Hardware

Contents:

- SHEET 2 - Parts List and Instrument to Post Installation
- SHEET 3 - In Ground Installation
- SHEET 4 - Surface Mount Installation

Weights:

- Instrument Weight, 20lbs.
- Boxed Instrument Weight, 27lbs.
- Boxed Post Weight, 28-38lbs.

TITLE:
Pagoda Bells - Installation Guide

DWG. NO. **PBEL-INSTALL**

REVISION: B

SCALE: 1:16

DATE: 3/22/2018

SHEET 1 OF 4

Parts List:



FREENOTES HARMONY PARK
544 CHESTNUT ST.
CHATTANOOGA, TN 37402
TEL: 833.262.1569

WWW.FREENOTESHARMONYPARK.COM

PROPRIETARY AND CONFIDENTIAL
THE INFORMATION CONTAINED IN THIS
DRAWING IS THE SOLE PROPERTY OF
FREENOTES HARMONY PARK. ANY
REPRODUCTION IN PART OR AS A
WHOLE WITHOUT THE WRITTEN
PERMISSION OF FREENOTES HARMONY
PARK IS PROHIBITED.

TITLE:
Parts List and Instrument to Post Installation

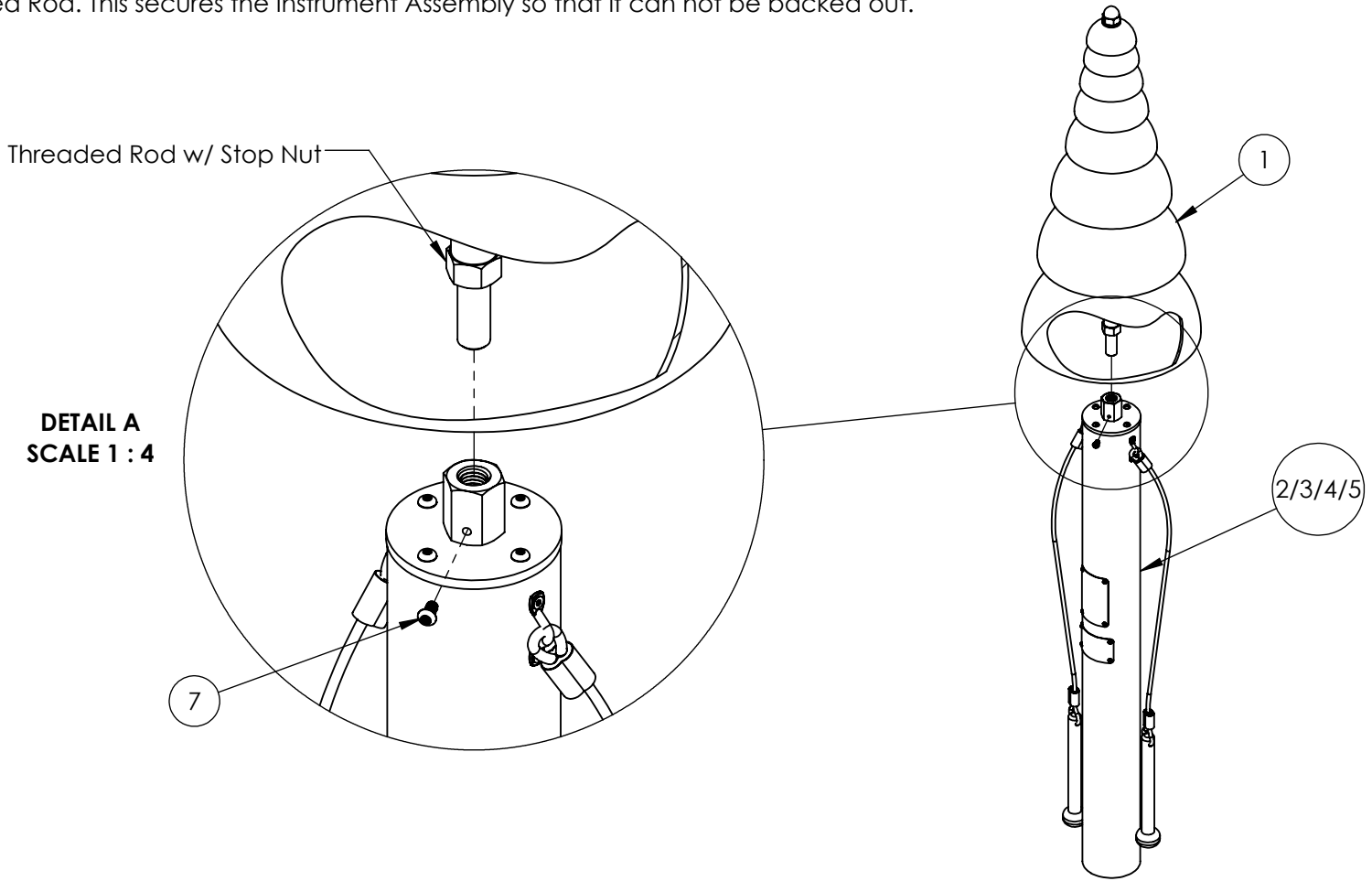
DWG. NO. **PBEL-INSTALL**

REVISION: B
SCALE: 1:12
DATE: 3/22/2018
SHEET 2 OF 4

ITEM NO.	PART DESCRIPTION	In Ground - Recycled Post/QTY.	In Ground - Steel Post/QTY.	Surface Mount - Recycled Post/QTY.	Surface Mount - Steel Post/QTY.
1	Pagoda Bells Instrument Assembly	1	1	1	1
2	In Ground Recycled Post, 73"lg.	1	-	-	-
3	In Ground Steel Post, 73"lg.	-	1	-	-
4	Surface Mount Recycled Post, 37"lg.	-	-	1	-
5	Surface Mount Steel Post, 37"lg.	-	-	-	1
6	Surface Mount Base	-	-	1	-
7	1/4"-20 Button Head Screw, .5"lg. SS, T27 tamp	1	1	1	1
8	5/16" Hex Head Lag Bolt, 5"lg. SS	-	-	2	-
9	3/8"-16 Wedge Expansion Anchor, SS	-	-	4	4
10	35/64" Hex Nut Cap	-	-	4	4
11	Security Driver	1	1	1	1

Step 1: Thread the Pagoda Bells Instrument Assembly's Threaded Rod into the Threaded Rod Support on the Instrument Post. Tighten down until the Stop Nut makes contact with the Threaded Rod Support.

Step 2: Take the 1/4"-20 Button Head Screw with Security Driver and thread it through the Threaded Rod Support all the way into the Threaded Rod. This secures the Instrument Assembly so that it can not be backed out.



Step 1: Excavate one 10" diameter hole, 36" deep at the installation location. Contractor can modify post to desired height.

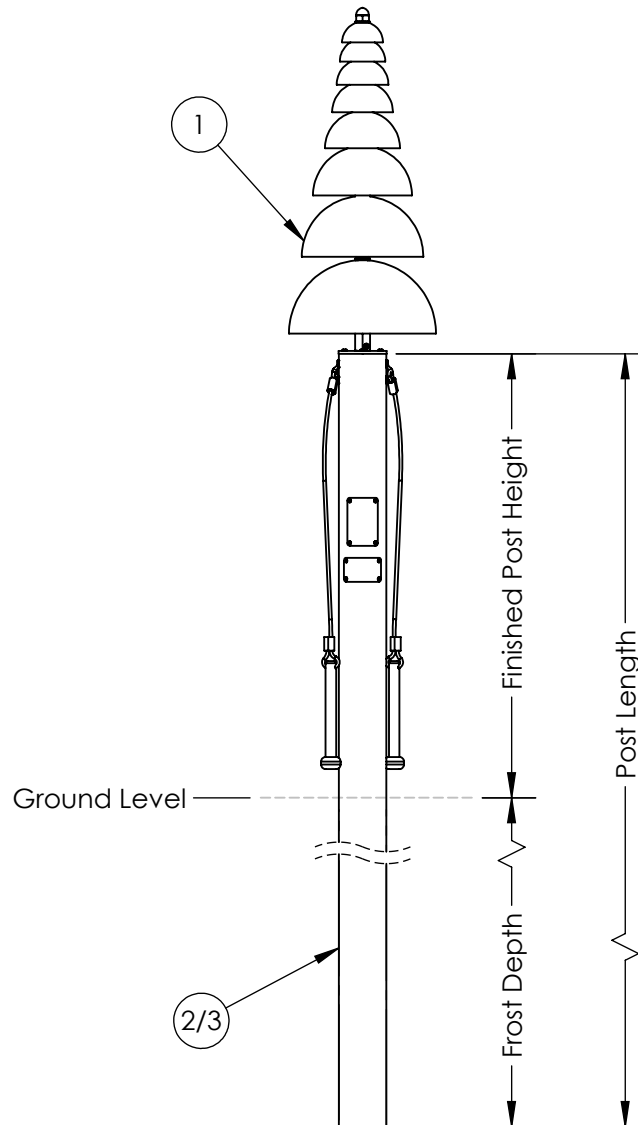
Post Length = Frost Depth (36" Recommended) + Finished Height

Finished Height Guideline: (Ages 3-5, 23") (Ages 5-7, 28") (Ages 7-11, 33") (Adult, 37")

Step 2: With two people, lower the Post with the Instrument attached into the excavated hole.

Step 3: Verify the correct placement, levelness, and finished height of the Instrument. Check for sufficient clearance around the Instrument, a 36" perimeter around the Instrument is recommended for wheelchair accessibility.

Step 4: Last pour concrete around the Post. It is recommended to brace the Instrument to hold it rigid while the concrete cures. Leave to set according to the concrete manufacturers guidelines. Approximately (3) 80lb. bags will be needed.



TITLE:
In Ground Installation

DWG. NO. PBEL-INSTALL

REVISION: B

SCALE: 1:16

DATE: 3/22/2018

SHEET 3 OF 4

Step 1: Standard height for Surface Mount Posts are 37". The Recycled Posts may be modified in the field to the following heights:
(Ages 3-5, 23") (Ages 5-7, 28") (Ages 7-11, 33") (Adult, 37")

The height of Surface Mount Steel Posts can not be adjusted.

Step 2: Determine installation location. Verify concrete footing is a minimum of 24" long x 24" wide x 6" thick. If the concrete pad is at an angle, steel washers are required to act as shims (Shims not provided). If there is not already an existing pad, approximately (4) 80lb. bags will be needed. Allow concrete to cure per concrete manufacturers guidelines.

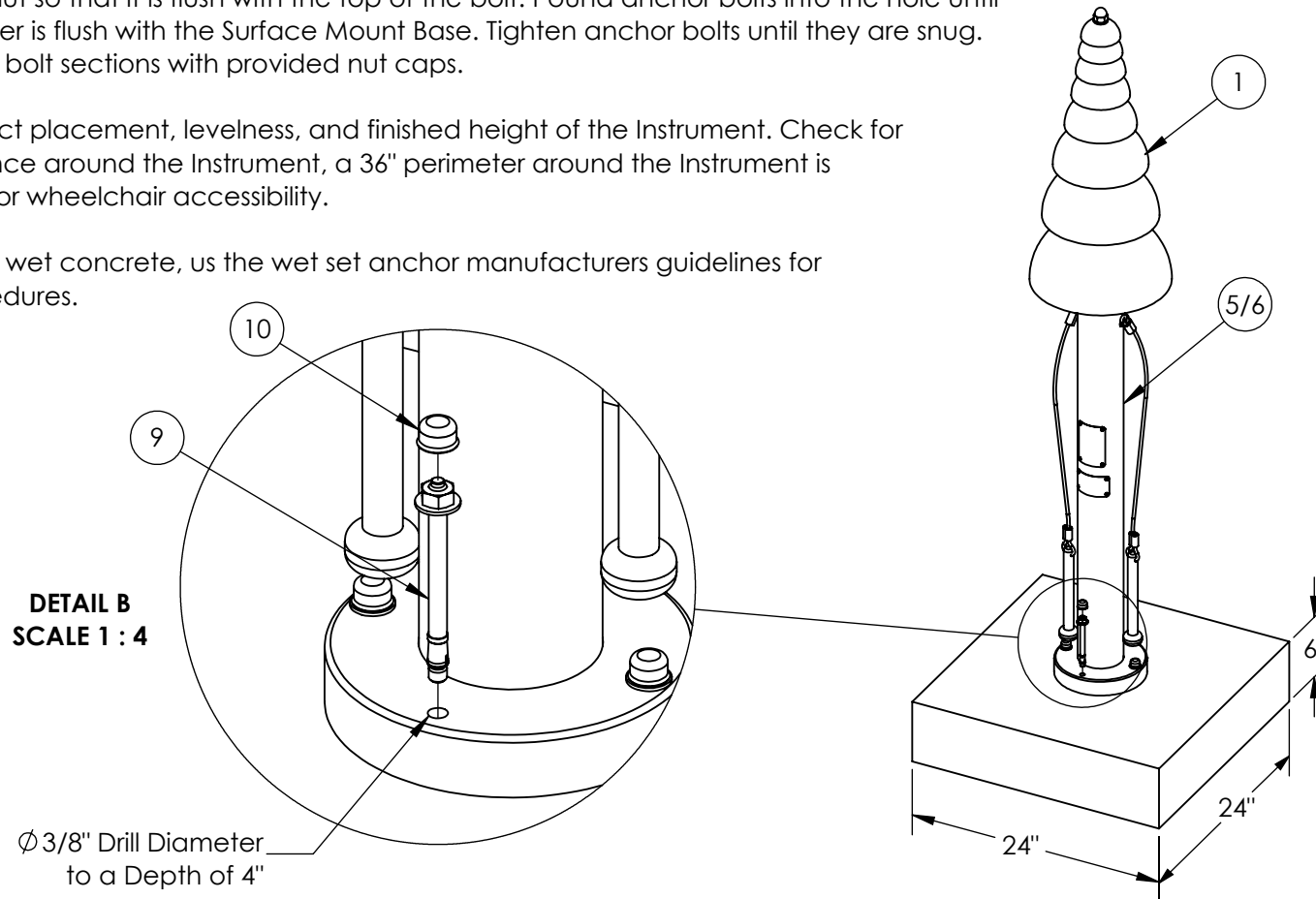
Step 3 (Recycled Post Only): Install the Surface Mount Base to the bottom of the Post. Align the holes on the Base with the holes on the Post. The Base should fit snugly around the Post. Fasten them together with the provided 5/16" Hex Head Lag Bolts.

Step 4: With two people place the Instrument Assembly with Post attached onto the concrete pad and mark the center of the holes on the Surface Mount Base. After you have made your marks, set aside the Instrument in order to drill for anchor holes. With a hammer or rotary drill, drill through concrete at marked locations. Drill to a minimum depth of 4". A 3/8" masonry drill bit will be needed.

Step 5: Place the Instrument back over the drilled out holes. Insert provided anchor bolts into aligned holes. Position anchor nut so that it is flush with the top of the bolt. Pound anchor bolts into the hole until the anchor washer is flush with the Surface Mount Base. Tighten anchor bolts until they are snug. Cover remaining bolt sections with provided nut caps.

Step 6: Verify the correct placement, levelness, and finished height of the Instrument. Check for sufficient clearance around the Instrument, a 36" perimeter around the Instrument is recommended for wheelchair accessibility.

Step 7: If installing onto wet concrete, us the wet set anchor manufacturers guidelines for installation procedures.



TITLE:
Surface Mount Installation

DWG. NO. PBELL-INSTALL

REVISION: B

SCALE: 1:16

DATE: 3/22/2018

SHEET 4 OF 4